

Block No.	Parts Name(CN)	Parts Name(EN)
F00	发动机安装附件	ENGINE FITTINGS
F01	锁具	LOCK KIT
F02	消声器	MUFFLER
F03	车架	FRAME
F04-1	塑料件I	PLASTICS 1
F04-2	塑料件II	PLASTICS 2
F04-3	塑料件III	PLASTICS 3
F04-4	塑料件IV	PLASTICS 4
F04-5	塑料件V	PLASTICS5
F04-6	塑料件VI	PLASTICS 6
F04-7	塑料件VII	PLASTICS 7
F05	前悬挂	FRONT SUSPENSION
F06	后悬架	REAR SUSPENSION
F07	前轮	FRONT WHEEL
F08-A	MAB液压制动总成	MAB BRAKE ASSY
F10	转向系统	STEERING SYSTEM
F11	后轮	REAR WHEEL
F12	油箱	FUEL TANK
F13	座垫	SEAT
F14	脚踏	FOOTREST
F15-A	电器系统(ABS)	ELECTRIC SYSTEM(ABS)
F16-V1	灯具	LIGHTS
F16-V2	灯具	LIGHTS
F17	仪表	DASHBOARD
F19-1	油箱警告标贴	WARNING LABEL,FUEL TANK
F19-2-B	贴花(格林绿-ABS)	DECAL(MOSS GREEN-ABS)
F19-2-C	贴花(蒙扎红-ABS)	DECAL(FIERY RED--ABS)
F19-2-D	贴花(盐滩白-ABS)	DECAL(NEBULA WHITE-ABS)
F19-3	型号贴花	MODEL DECAL
F19-4	加油口警告标贴	WARNING LABEL, FUEL FILLING PORT
F19-5	GSO标贴(中东海湾国家)	GSO LABEL(MIDDLE EAST GULF STATES)
F20	随车工具	TOOLS
F36	燃油蒸发系统	FUEL VAPORIZATION SYSTEM
F38	使用说明书	OWNERS MANUAL
F41	空滤器	AIR FILTER
E01-1	左曲轴箱分总成	LEFT CRANKCASE ASSY.
E01-2	右曲轴箱分总成	RIGHT CRANKCASE ASSY.
E01-3	右侧盖分总成	RIGHT SIDE COVER ASSY.
E01-4-V1	左侧盖分总成	LEFT SIDE COVER ASSY.
E01-4-V2	左侧盖分总成	LEFT SIDE COVER ASSY.
E02-1	气缸盖罩分总成	CYLINDER HEAD COVER ASSY.
E02-2	气缸盖分总成	CYLINDER HEAD ASSY.
E02-3	气缸分总成	CYLINDER BODY ASSY.
E02-4	凸轮轴分总成	CAMSHAFT ASSY.
E03	磁电机总成	MAGNETO ASSY.
E04	曲柄连杆活塞总成	CRANKSHAFT /CONNECTING ROD & PISTON ASSY.
E05	离合器总成	CLUTCH ASSY.
E06	换挡变速总成	TRANSMISSION ASSY.
E07	机油泵总成	OIL PUMP ASSY.
E09	起动系统总成	ELECTRIC STARTING ASSY.
E16	平衡轴总成	BALANCE SHAFT ASSY.
E17	节气门体总成	THROTTLE BODY ASSY.

Block No.	Block Name	Item No.	Parts Number	Parts Name(EN)	Qty	Specification	Remark(s)	MOQ	Alternative Parts
F00	ENGINE FITTINGS	1	6FIV-040011-7100	SMALL SPROCKET GUARD	1			1	
F00	ENGINE FITTINGS	2	0010-021017-0010	BOLT M6x25	1		GALVANIZED TRIVALENT CHROMIUM	6	
F00	ENGINE FITTINGS	3	0020-011018-00001	BOLT	2			6	
F01	LOCK KIT	01	6FIV-011000-7101	LOCK KIT	1			1	6FIV-011000-7100-10
F01	LOCK KIT	02	30102-080020810	SCREW	2		M8x20@TRIVALENT CHROMIUM	1	
F01	LOCK KIT	03	6FIV-010010-7100	SEAT CABLE	1			1	
F01	LOCK KIT	04	6GU#-010320-6000	SEAT LOCK SEAT	1			1	
F01	LOCK KIT	05	30006-060016810	BOLT	2		M6x16	10	
F01	LOCK KIT	06	6FIV-011020-7100	KEY	1			1	
F02	MUFFLER	1	6FIV-021100-5001	EXHAUST PIPE ASSY	1			1	
F02	MUFFLER	2	30102-080025810	SCREW	2		M8x25	10	
F02	MUFFLER	3	8AJV-004100-1000	OXYGEN SENSOR	1			1	
F02	MUFFLER	4	6090-020010	EXHAUST PORT GASKET	1		42x33x5	1	
F02	MUFFLER	5	30006-080035810	BOLT	3		M8x35	10	
F02	MUFFLER	6	6WWW-020002-5001	BUSHING, MUFFLER BODY	6			1	
F02	MUFFLER	7	6WWW-020003-5000	RUBBER SLEEVE, MUFFLER BODY	3			1	
F02	MUFFLER	8	30204-080810	LOCK NUT	3		M8	10	
F02	MUFFLER	9	A000-020003	GRAPHITE SEAL BUSHINGII	1			1	
F02	MUFFLER	10	A000-020500	CLAMP ASSY 1	1			1	
F02	MUFFLER	11	6FIV-021200-9000	REAR MUFFLER BODY ASSY	1			1	
F02	MUFFLER	12	30006-060012810	BOLT	1		M6x12	10	
F02	MUFFLER	13	6FIV-0221100-7100-22	INNER HEX SCREW M6x14	2			1	30006-060012870
F02	MUFFLER	14	6FIV-021105-7100-H1	DECO COVER 1	1			1	
F02	MUFFLER	15	6FIV-021106-7100-H1	DECO COVER 2	1			1	
F03	FRAME	1	9010-160101	HEADLIGHT RUBBER DAMPER	2			10	
F03	FRAME	2	30006-060016810	BOLT	2		M6x16	10	
F03	FRAME	3	6FIV-030400-7101	FRONT BRACKET ASSY	1			1	
F03	FRAME	4	30006-080045810	BOLT	2		M8x45@COLOR ZINC TRIVALENT CHROMIUM	10	
F03	FRAME	5	30303-080112	WASHER	2		ø8@COLOR ZINC TRIVALENT CHROMIUM	6	
F03	FRAME	6	30306-080112	WASHER	2		ø8	10	
F03	FRAME	7	30206-080510	NUT M8	2		M8	6	
F03	FRAME	8	30902-0400820	RIVET	2		ø4x8	6	30902-0401320
F03	FRAME	9	6FIV-190011-5000	VIN PLATE	1			1	6FIV-190011-5001
F03	FRAME	9	6FIV-190011-5001	VIN PLATE	1			1	
F03	FRAME	10	6FIV-030001-7100	DASHBOARD BRACKET	1			1	
F03	FRAME	11	30102-080016810	INNER HEX SCREW	1		M8x16	6	
F03	FRAME	12	6FIV-031000-7101-01	FRAME ASSY	1			1	6FIV-031000-7102-01
F03	FRAME	13	30204-080810	LOCK NUT	8		M8	10	
F03	FRAME	14	6WWW-046702-5000	INNER HEX SCREW M6x12	5			10	6WWW-046802-5000
F03	FRAME	15	6FIV-030020-7100	ENGINE RH GUARD BRACKET	1			1	
F03	FRAME	16	6FIV-030010-7100	ENGINE LH GUARD BRACKET	1			1	
F03	FRAME	17	30006-080085810	BOLT	2		GB/T5789_M8x85	6	
F03	FRAME	18	30006-080075810	BOLT	4		M8x75	6	
F03	FRAME	19	A000-030006	SIDE BRACKET BOLT	1			10	
F03	FRAME	20	A000-030004	SPRING COLLAR, SIDE STAND	1			1	
F03	FRAME	21	6KMV-030060-C000	SIDE STAND SPRING ASSY	1			1	6L30-030071-10000
F03	FRAME	22	6FIV-030600-7101	SIDE STAND ASSY	1			1	
F03	FRAME	23	30208-102010	NUT	1		M10x1.25	10	
F03	FRAME	24	30006-060035810	BOLT	1		M6x35	6	
F03	FRAME	25	6KJ0-030510	CHAIN GUARD ASSY	1			1	
F03	FRAME	26	30006-080050810	BOLT	1		M8x50	1	
F03	FRAME	27	5280-030004-1000	ENGINE FRONT SUSPENSION PLATE	1		MATTE BLACK	1	
F03	FRAME	28	6F12-030002	ENGINE LH UPPER BRACKET	1		ELECTROPHORESIS BLACK	1	
F03	FRAME	29	6FIV-030050-7100	ENGINE UPPER RH BRACKET	1			1	
F03	FRAME	30	6KJ0-030503	RUBBER PLUG	2			1	
F03	FRAME	31	8080-040064	FRONT FENDER DAMPER	1			1	
F03	FRAME	32	6WWW-020002-5001	BUSHING, MUFFLER BODY	6			1	
F03	FRAME	33	6WWW-020003-5000	RUBBER SLEEVE, MUFFLER BODY	3			1	
F03	FRAME	34	6FIV-030040-7100	REAR SEAT RH BRACKET	1			1	
F03	FRAME	35	6WWW-046802-5000	INNER HEX SCREW M6x16	4			10	
F03	FRAME	36	6FIV-030030-7100	REAR SEAT LH BRACKET	1			1	
F03	FRAME	37	6FIV-030009-7100	REAR LICENSE BRACKET	1			1	
F03	FRAME	38	6FIV-030300-7100	REAR FENDER ASSY	1			1	
F03	FRAME	39	30006-060010810	BOLT	4		M6x10	10	
F03	FRAME	40	6FIV-030002-7000	ABS BRACKET	1			1	ABS
F03	FRAME	41	6WWW-030019-5000	RUBBER BUSHING	2			2	
F03	FRAME	42	6AQV-021002-1000	BUSHING	2			1	
F03	FRAME	43	30006-060022810	BOLT	2		M6x22	6	
F04-1	PLASTICS 1	1	6FIV-041603-7100	WINDSHIELD	1			1	
F04-1	PLASTICS 1	2	30110-421130010	SELF-TAPPING SCREW	11		ST4.2x13@COLOR ZINC TRIVALENT CHROMIUM	10	30110-420130070
F04-1	PLASTICS 1	3	6KM#-040081-8000-M1	NUT CLIP M5	7			10	
F04-1	PLASTICS 1	4	6FIV-041601-7100-0VE00	HEADLIGHT PANEL	1		NEBULA WHITE	1	
F04-1	PLASTICS 1	4	6FIV-041601-7100-0RM00	HEADLIGHT PANEL	1		MAGMA RED	1	
F04-1	PLASTICS 1	4	6FIV-041601-7100-0GB00	HEADLIGHT PANEL	1		SPRUCE GREEN	1	
F04-1	PLASTICS 1	5	8080-041130	EXPANSION RIVET ASSY	2			10	
F04-1	PLASTICS 1	6	6FIV-041602-7100	HEADLIGHT PANEL	1			1	6FIV-041602-7101
F04-1	PLASTICS 1	6	6FIV-041602-7101	HEADLIGHT BACKBOARD	1		"	1	
F04-1	PLASTICS 1	7	6WWW-047102-5000	INNER HEX SCREW M5x14	8			10	
F04-1	PLASTICS 1	8	8010-000002	CLAMP	2		ST4.2	6	F07V-040002-1000
F04-1	PLASTICS 1	9	6FIV-040104-7100	DASHBOARD LOWER GUARD	1			1	
F04-1	PLASTICS 1	10	6AQV-041117-1002	USB PLUG COVER	1			1	
F04-1	PLASTICS 1	11	6FIV-040511-7100	FRONT SHOCK ABSORBER UPPER COVER	2			1	
F04-1	PLASTICS 1	12	6FIV-040512-7100	PIPE UPPER COVER	1			1	
F04-1	PLASTICS 1	13	6FIV-040101-7100	IGNITION LOCK GUARD	1			1	
F04-2	PLASTICS 2	1	6FIV-041203-7100-0VY00	FUEL TANK RH PANEL	1		NEBULA WHITE+LAVA REDISH PINK	1	6FIV-041203-7101-0VY00
F04-2	PLASTICS 2	1	6FIV-041203-7100-0VE00	FUEL TANK RH PANEL	1		NEBULA WHITE	1	6FIV-041203-7101-0VE00
F04-2	PLASTICS 2	1	6FIV-041203-7100-0GB00	FUEL TANK RH PANEL	1		SPRUCE GREEN	1	6FIV-041203-7101-0GB00
F04-2	PLASTICS 2	1	6FIV-041203-7101-0VE00	FUEL TANK RH PANEL	1		NEBULA WHITE	1	
F04-2	PLASTICS 2	1	6FIV-041203-7101-0VY00	FUEL TANK RH PANEL	1		NEBULA WHITE+LAVA REDISH PINK	1	
F04-2	PLASTICS 2	1	6FIV-041203-7101-0GB00	FUEL TANK RH PANEL	1		SPRUCE GREEN	1	
F04-2	PLASTICS 2	2	8010-000002	CLAMP	2		ST4.2	6	F07V-040002-1000
F04-2	PLASTICS 2	3	30110-421130010	SELF-TAPPING SCREW	15		ST4.2x13@COLOR ZINC TRIVALENT CHROMIUM	10	30110-420130070
F04-2	PLASTICS 2	4	6KM#-040081-8000-M1	NUT CLIP M5	6			10	

F04-2	PLASTICS 2	5	6WWW-046502-5000	STEPPED SCREW M5	7				10	58WV-040017-5000
F04-2	PLASTICS 2	6	6FIV-040401-7100	MUSHROOM HEAD RUBBER BOOT	4		SLOTTED HOLE IN PLASTIC PART		1	
F04-2	PLASTICS 2	7	6WWW-045801-5000	RUBBER	2				2	
F04-2	PLASTICS 2	8	9060-040310	CLAMP ASSY	2				10	
F04-2	PLASTICS 2	9	6WWW-047102-5000	INNER HEX SCREW M5x14	3				10	
F04-2	PLASTICS 2	10	6WWW-046802-5000	INNER HEX SCREW M6x16	1				10	
F04-2	PLASTICS 2	11	6090-040302	CUSHION SLEEVE	1				10	
F04-2	PLASTICS 2	12	6090-040303	BUSHING	1				10	
F04-2	PLASTICS 2	13	6FIV-041201-7103-0GB00	FUEL TANK UPPER PANEL	1			MOSS GREEN	1	
F04-2	PLASTICS 2	13	6FIV-041201-7103-0RM00	FUEL TANK UPPER PANEL	1			MAGMA RED	1	
F04-2	PLASTICS 2	13	6FIV-041201-7103-0VE00	FUEL TANK UPPER PANEL	1			NEBULA WHITE	1	
F04-2	PLASTICS 2	13	6FIV-041201-7103-0BU00	FUEL TANK UPPER PANEL	1			JET BLACK	1	
F04-2	PLASTICS 2	14	30110-420095010	SELF-TAPPING SCREW	2		ST4.2x9.5@COLOR ZINC-PLATED		10	
F04-2	PLASTICS 2	15	8080-041130	EXPANSION RIVET ASSY	6				10	
F04-2	PLASTICS 2	16	6FIV-041205-7100	FUEL TANK FRONT RH PANEL	1				1	
F04-2	PLASTICS 2	17	6FIV-041204-7100	FUEL TANK FRONT LH PANEL	1				1	
F04-2	PLASTICS 2	18	6FIV-041202-7100-0VY00	FUEL TANK LH PANEL	1			NEBULA WHITE+LAVA REDISH PINK	1	6FIV-041202-7101-0VY00
F04-2	PLASTICS 2	18	6FIV-041202-7100-0VE00	FUEL TANK LH PANEL	1			NEBULA WHITE	1	6FIV-041202-7101-0VE00
F04-2	PLASTICS 2	18	6FIV-041202-7100-0GB00	FUEL TANK LH PANEL	1			SPRUCE GREEN	1	6FIV-041202-7101-0GB00
F04-2	PLASTICS 2	18	6FIV-041202-7101-0VY00	FUEL TANK LH PANEL	1			NEBULA WHITE+LAVA REDISH PINK	1	
F04-2	PLASTICS 2	18	6FIV-041202-7101-0VE00	FUEL TANK LH PANEL	1			NEBULA WHITE	1	
F04-2	PLASTICS 2	18	6FIV-041202-7101-0GB00	FUEL TANK LH PANEL	1			SPRUCE GREEN	1	
F04-2	PLASTICS 2	19	6FIV-040102-7100	SEAT LOCK BRACKET	1				1	
F04-2	PLASTICS 2	20	30105-050012410	SCREW	2			M5x12	1	
F04-3	PLASTICS 3	1	6FIV-040302-7100-0VE00	FRONT RH PANEL	1			NEBULA WHITE	1	
F04-3	PLASTICS 3	1	6FIV-040302-7100-0GB00	FRONT RH PANEL	1			SPRUCE GREEN	1	
F04-3	PLASTICS 3	2	6WWW-046502-5000	STEPPED SCREW M5	10				10	58WV-040017-5000
F04-3	PLASTICS 3	3	30110-421130010	SELF-TAPPING SCREW	4		ST4.2x13@COLOR ZINC TRIVALENT CHROMIUM		10	30110-420130070
F04-3	PLASTICS 3	4	0180-014010	WIRE CLAMP	2				6	6WWW-030080-8000
F04-3	PLASTICS 3	5	6FIV-040308-7100-0BU00	FRONT RH PANEL DECO PART	1			JET BLACK	1	
F04-3	PLASTICS 3	5	6FIV-040308-7100-0RM00	FRONT RH PANEL DECO PART	1			MAGMA RED	1	
F04-3	PLASTICS 3	5	6FIV-040308-7100-0G700	FRONT RH PANEL DECO PART	1			LEMON GREEN	1	
F04-3	PLASTICS 3	6	8010-000002	CLAMP	6			ST4.2	6	F07V-040002-1000
F04-3	PLASTICS 3	7	6FIV-040401-7100	MUSHROOM HEAD RUBBER BOOT	2			SLOTTED HOLE IN PLASTIC PART	1	
F04-3	PLASTICS 3	8	6FIV-040310-7102	PIPE LOWER RH PANEL	1				1	
F04-3	PLASTICS 3	9	8080-041130	EXPANSION RIVET ASSY	2				10	
F04-3	PLASTICS 3	10	6FIV-040309-7102	PIPE LOWER LH PLATE	1				1	
F04-3	PLASTICS 3	11	6FIV-040301-7100-0VE00	FRONT LH PANEL	1			NEBULA WHITE	1	
F04-3	PLASTICS 3	11	6FIV-040301-7100-0GB00	FRONT LH PANEL	1			SPRUCE GREEN	1	
F04-3	PLASTICS 3	12	6FIV-040307-7100-0RM00	LH FRONT PANEL DECO PART	1			MAGMA RED	1	
F04-3	PLASTICS 3	12	6FIV-040307-7100-0G700	FRONT LH PANEL DECO PART	1			LEMON GREEN	1	
F04-3	PLASTICS 3	12	6FIV-040307-7100-0BU00	FRONT LH DECO PART	1			JET BLACK	1	
F04-4	PLASTICS 4	1	6FIV-040501-7100-0BU00	FRONT FENDER FRONT PART	1			JET BLACK	1	
F04-4	PLASTICS 4	1	6FIV-040501-7100-0VE00	FRONT FENDER FRONT PART	1			NEBULA WHITE	1	
F04-4	PLASTICS 4	2	6WWW-046602-5000	INNER HEX STEPPED SCREW M6x14	10				10	
F04-4	PLASTICS 4	3	6FIV-040502-7100	FRONT FENDER REAR PART	1				1	
F04-4	PLASTICS 4	4	8010-000002	CLAMP	6			ST4.2	6	F07V-040002-1000
F04-4	PLASTICS 4	5	30110-421130010	SELF-TAPPING SCREW	3		ST4.2x13@COLOR ZINC TRIVALENT CHROMIUM		10	30110-420130070
F04-4	PLASTICS 4	6	8030-040800-00001	NUT CLIP M6	1			M6	10	
F04-4	PLASTICS 4	7	30305-060112	WASHER	2			q6@COLOR ZINC TRIVALENT CHROMIUM	6	
F04-4	PLASTICS 4	8	6FIV-040001-7100	ENGINE FRONT PANEL	1				1	
F04-4	PLASTICS 4	9	6FIV-040003-7100-0VE00	ENGINE RH LOWER PANEL	1			NEBULA WHITE	1	
F04-4	PLASTICS 4	9	6FIV-040003-7100-0GB00	ENGINE RH LOWER PANEL	1			SPRUCE GREEN	1	
F04-4	PLASTICS 4	9	6FIV-040003-7100-0BU00	ENGINE RH LOWER PANEL	1			JET BLACK	1	
F04-4	PLASTICS 4	10	30110-420160070	SELF-TAPPING SCREW	4			ST4.2x16	10	
F04-4	PLASTICS 4	11	6FIV-040002-7100-0VE00	ENGINE LH LOWER PANEL	1			NEBULA WHITE	1	
F04-4	PLASTICS 4	11	6FIV-040002-7100-0GB00	ENGINE LH LOWER PANEL	1			SPRUCE GREEN	1	
F04-4	PLASTICS 4	11	6FIV-040002-7100-0BU00	ENGINE LH LOWER PANEL	1			JET BLACK	1	
F04-5	PLASTICS5	1	6FIV-040601-7100	REAR INNER FENDER	1				1	
F04-5	PLASTICS5	2	6WWW-046602-5000	INNER HEX STEPPED SCREW M6x14	5				10	
F04-5	PLASTICS5	3	6FIV-040602-7101	REAR INNER FENDER INNER COVER	1				1	
F04-5	PLASTICS5	4	30118-420095010	SELF-TAPPING SCREW	3		ST4.2x9.5@TRIVALENT CHROMIUM		10	
F04-5	PLASTICS5	5	30110-421130010	SELF-TAPPING SCREW	7		ST4.2x13@COLOR ZINC TRIVALENT CHROMIUM		10	30110-420130070
F04-5	PLASTICS5	6	6FIV-040611-7100	REAR FENDER	1				1	6FIV-040611-7101
F04-5	PLASTICS5	7	6KM#-040081-8000-M1	NUT CLIP M5	1				10	
F04-5	PLASTICS5	8	6WWW-047102-5000	INNER HEX SCREW M5x14	1				10	
F04-5	PLASTICS5	9	6KM#-040302-8000	CUSHION SLEEVE	6				1	
F04-5	PLASTICS5	10	6090-040303	BUSHING	6				10	
F04-5	PLASTICS5	11	6WWW-046902-5000	INNER HEX SCREW M6x20	3				10	
F04-5	PLASTICS5	12	30204-060810	NUT	3			M6	10	
F04-5	PLASTICS5	13	6WWW-047102-5000	INNER HEX SCREW M5x14	3				10	
F04-5	PLASTICS5	14	6FIV-040612-7100	REAR FENDER INNER COVER	1				1	
F04-5	PLASTICS5	15	6FIV-041512-7100	LICENSE LIGHT LOWER COVER	1				1	
F04-5	PLASTICS5	16	6FIV-041511-7100	LICENSE LIGHT UPPER COVER	1				1	6FIV-041511-7102
F04-6	PLASTICS 6	1	6FIV-040314-7100-0VR00	RH SIDE COVER DECO PART	1			ELECTRO SILVER	1	
F04-6	PLASTICS 6	2	6FIV-040312-7100	RH SIDE COVER	1				1	6FIV-040312-7101
F04-6	PLASTICS 6	2	6FIV-040312-7101	RH SIDE COVER	1				1	
F04-6	PLASTICS 6	3	30110-421130010	SELF-TAPPING SCREW	6		ST4.2x13@COLOR ZINC TRIVALENT CHROMIUM		10	30110-420130070
F04-6	PLASTICS 6	4	6WWW-046502-5000	STEPPED SCREW M5	4				10	58WV-040017-5000
F04-6	PLASTICS 6	5	6FIV-040401-7100	MUSHROOM HEAD RUBBER BOOT	2			SLOTTED HOLE IN PLASTIC PART	1	
F04-6	PLASTICS 6	6	6FIV-040313-7100-0VR00	SIDE COVER DECO PART	1			ELECTRO SILVER	1	
F04-6	PLASTICS 6	7	6FIV-040311-7100	LH SIDE COVER	1				1	6FIV-040311-7101
F04-6	PLASTICS 6	7	6FIV-040311-7101	LH SIDE COVER	1				1	
F04-6	PLASTICS 6	8	6FIV-041501-7100	ELECTRICAL BOX	1				1	
F04-6	PLASTICS 6	9	6WWW-046602-5000	INNER HEX STEPPED SCREW M6x14	2				10	
F04-6	PLASTICS 6	10	6FIV-041502-7100	BATTERY BOX	1				1	
F04-6	PLASTICS 6	11	6WWW-046702-5000	INNER HEX SCREW M6x12	3				10	6WWW-046802-5000
F04-6	PLASTICS 6	12	9010-120008	SPONGE PAD, FUEL TANK	5				10	
F04-7	PLASTICS 7	1	6FIV-041614-7100-0VE00	TAIL LIGHT RH PANEL	1			NEBULA WHITE	1	
F04-7	PLASTICS 7	2	6WWW-046802-5000	INNER HEX SCREW M6x16	2				10	
F04-7	PLASTICS 7	3	6090-040303	BUSHING	2				10	
F04-7	PLASTICS 7	4	6KM#-040302-8000	CUSHION SLEEVE	2				1	
F04-7	PLASTICS 7	5	8080-041130	EXPANSION RIVET ASSY	4				10	
F04-7	PLASTICS 7	6	30110-421130010	SELF-TAPPING SCREW	18		ST4.2x13@COLOR ZINC TRIVALENT CHROMIUM		10	30110-420130070

F04-7	PLASTICS 7	7	6FIV-041617-7101	TAIL LIGHT RH PANEL DECO PARTS	1				1
F04-7	PLASTICS 7	8	8030-040800-00001	NUT CLIP M6	2	M6			10
F04-7	PLASTICS 7	9	6WWW-046702-5000	INNER HEX SCREW M6x12	2				10
F04-7	PLASTICS 7	10	30110-420095010	SELF-TAPPING SCREW	2	ST4.2x9.5@COLOR ZINC-PLATED			10
F04-7	PLASTICS 7	11	6FIV-040321-7100	SUB-FRAME SKID PLATE	1				1
F04-7	PLASTICS 7	12	6FIV-040322-7100	SUB-FRAME HEAT INSULATION PLATE	1				1
F04-7	PLASTICS 7	13	6WWW-046602-5000	INNER HEX STEPPED SCREW M6x14	2				10
F04-7	PLASTICS 7	14	6WWW-047102-5000	INNER HEX SCREW M5x14	2				10
F04-7	PLASTICS 7	15	6FIV-041616-7101	TAIL LIGHT LH PANEL DECO PARTS	1				1
F04-7	PLASTICS 7	16	6FIV-041613-7100-0VE00	TAIL LIGHT LH PANEL	1	NEBULA WHITE			1
F04-7	PLASTICS 7	17	6FIV-041611-7100	TAIL LIGHT GUARD	1				1
F04-7	PLASTICS 7	18	6FIV-041615-7100-0VE00	TAIL LIGHT UPPER PANEL	1	NEBULA WHITE			1
F04-7	PLASTICS 7	19	6NKJ#-000202-6001	CONVEX BOLT	2				6
F05	FRONT SUSPENSION	1	0180-062107-00001	BEVEL GEAR LOCK NUT	1				1
F05	FRONT SUSPENSION	2	8030-050006	UPPER TRIPLE CLAMP GASKET	1				1
F05	FRONT SUSPENSION	3	5280-050004	LOCK NUT	1				1
F05	FRONT SUSPENSION	4	5280-050100	UPPER STEERING BEARING ASSY	1				5280-050101+5280-050102+5280-050110
F05	FRONT SUSPENSION	5	5280-050200	LOWER STEERING BEARING ASSY	1				5280-050102+5280-050110+5280-050202
F05	FRONT SUSPENSION	6	6FIV-050300-7000	FRONT FORK PIPE LOWER TRIPLE CLAMP ASSY	1				1
F05	FRONT SUSPENSION	7	30006-102035810	BOLT	2	M10x1.25x35			10
F05	FRONT SUSPENSION	8	6FIV-050011-7000	RUBBER PLUG	1				1
F05	FRONT SUSPENSION	9	6FIV-050200-7101-M1	FRONT RH SHOCK ABSORBER	1				1
F05	FRONT SUSPENSION	10	6FIV-050030-7100	FRONT FENDER REAR RH BRACKET ASSY	1				1
F05	FRONT SUSPENSION	11	6FIV-050401-7000	RUBBER PLUG	1		NO ABS		2
F05	FRONT SUSPENSION	12	6FIV-050100-7101-M1	FRONT LH SHOCK ABSORBER	1				1
F05	FRONT SUSPENSION	13	30102-080030810	SCREW	2	M8x30			1
F06	REAR SUSPENSION	1	6KMV-060010-8001	REAR SWING ARM DUST CAP 1	2				1
F06	REAR SUSPENSION	2	5100-060008	REAR SWING ARM OUTER BUSHING	2				1
F06	REAR SUSPENSION	3	6WWW-046602-5000	INNER HEX STEPPED SCREW M6x14	1				10
F06	REAR SUSPENSION	4	6FIV-060001-7001	CHAIN GUARD	1				1
F06	REAR SUSPENSION	5	6090-060005	ANTI-DUST RING	2				1
F06	REAR SUSPENSION	6	6K30-060004-00001	REAR FORK RH INNER BUSHING	2				1
F06	REAR SUSPENSION	7	6FIV-060300-7000	REAR FORK ASSY	1				6FIV-060300-7001
F06	REAR SUSPENSION	8	6FIV-060100-7100-M1	REAR SHOCK ABSORBER	1				1
F06	REAR SUSPENSION	9	30006-102050810	BOLT	1	M10x1.25x50			10
F06	REAR SUSPENSION	10	6KM#-100002-8000	CLUTCH LEVER PLUG	4				1
F06	REAR SUSPENSION	11	30102-080016810	INNER HEX SCREW	3	M8x16			6
F06	REAR SUSPENSION	12	6FIV-060020-7000	CHAIN ADJUSTER ASSY	2				1
F06	REAR SUSPENSION	13	A000-060201-08B0	CHAIN ADJUSTER GUARD	2	PLASTIC POWDER			1
F06	REAR SUSPENSION	14	30200-080810	NUT	4	M8			1
F07	FRONT WHEEL	01	6FIV-070001-7100	FRONT WHEEL SHAFT	1				1
F07	FRONT WHEEL	02	6K30-070002	COLLAR, FRONT WHEEL AXLE	2				1
F07	FRONT WHEEL	03	30705-1213	TIRE	1	FRONT TIRE			1
F07	FRONT WHEEL	04	6FIV-070100-7100-0B200	FRONT RIM ASSY	1				1
F07	FRONT WHEEL	05	6K3V-070103-8000	OIL SEAL	1				1
F07	FRONT WHEEL	06	30400-01280	BEARING	2	6201-2RS			1
F07	FRONT WHEEL	07	30204-122810	NUT	1	M12x1.25			10
F07	FRONT WHEEL	08	5190-070030-1000	VALVE, INFLATION	1				1
F07	FRONT WHEEL	09	6FIV-070102-6000	MIDDLE BUSHING, FRONT RIM	1				1
F08-A	MAB BRAKE ASSY	1	8010-080118	BRAKE DISC BOLT	6				10
F08-A	MAB BRAKE ASSY	2	6F13-080001	FRONT BRAKE DISC	1				1
F08-A	MAB BRAKE ASSY	3	6FIV-080003-7000	FRONT GEAR RING	1				1
F08-A	MAB BRAKE ASSY	4	30006-080025870	BOLTM8x25	2	BLACK ZINC-PLATED			10
F08-A	MAB BRAKE ASSY	5	30006-060012870	BOLTM6x12	2	BLACK ZINC-PLATED			10
F08-A	MAB BRAKE ASSY	6	6FIV-080004-7000-M1	SPEED SENSOR	1				1
F08-A	MAB BRAKE ASSY	7	6FIV-080006-7100	BRAKE OIL PIPE CLIP II	1				1
F08-A	MAB BRAKE ASSY	8	6F13-080003	RETURN SPRING, REAR BRAKE	1				1
F08-A	MAB BRAKE ASSY	9	6FIV-080300-7100	REAR BRAKE PEDAL ASSY	1				1
F08-A	MAB BRAKE ASSY	10	A000-080006-10000	GASKET 1	1				1
F08-A	MAB BRAKE ASSY	11	6WWW-046702-5000	INNER HEX SCREW M6x12	1				10
F08-A	MAB BRAKE ASSY	12	30102-060025810	SCREW	2	M6x25			10
F08-A	MAB BRAKE ASSY	13	6FIV-080010-7000	REAR BRAKE DISC ASSY	1				1
F08-A	MAB BRAKE ASSY	14	6NTV-080004-4101-M1	SPEED SENSOR	1				1
F08-A	MAB BRAKE ASSY	15	30006-060012810	BOLT	1	M6x12			10
F08-A	MAB BRAKE ASSY	16	801F-100101	TIE BAND	2				10
F08-A	MAB BRAKE ASSY	17	EAEV-080006-1000	CLIP, BRAKE HOSE	6				1
F08-A	MAB BRAKE ASSY	18	30102-060012810	SCREW	2	M6x12			10
F08-A	MAB BRAKE ASSY	19	6FIV-080007-7000	BRAKE OIL PIPE BRACKET	1				1
F08-A	MAB BRAKE ASSY	20	6KM#-100002-8000	CLUTCH LEVER PLUG	1				1
F08-A	MAB BRAKE ASSY	21	6FIV-081000-7002-M1	MAB HYDRAULIC BRAKE ASSY	1				1
F08-A	MAB BRAKE ASSY	21	6FIV-081000-7003-M1	MAB HYDRAULIC BRAKE ASSY	1				6FIV-081000-7003-M1
F08-A	MAB BRAKE ASSY	22	6KMV-081100-8000-20	BRAKE HANDLE	1				1
F08-A	MAB BRAKE ASSY	23	6KMV-081100-8100-M1	HAND BRAKE MASTER CYLINDER	1				1
F08-A	MAB BRAKE ASSY	24	6KM#-081000-8100-20	WASHER	16				1
F08-A	MAB BRAKE ASSY	25	6KM#-080103-8101	PIPE BOLT	7				1
F08-A	MAB BRAKE ASSY	26	6KMV-081700-3000-M1	HYDRAULIC SWITCH ASSY	1				A000-080102-2000
F08-A	MAB BRAKE ASSY	27	A000-080229-2000	SCREW, FLUID RESERVOIR CAP	2				6GU#-081000-6000-23
F08-A	MAB BRAKE ASSY	28	6KM0-091201-20000	FLUID RESERVOIR CAP	1				1
F08-A	MAB BRAKE ASSY	29	6KM0-091202-20000	FLUID RESERVOIR SEALING LINER	1				1
F08-A	MAB BRAKE ASSY	30	6KM0-091203-20000	FLUID RESERVOIR SEALING GASKET	1				1
F08-A	MAB BRAKE ASSY	31	6KM0-091204-20000	RESERVOIR	1				1
F08-A	MAB BRAKE ASSY	32	30903-0201640	COTTER PIN	1				1
F08-A	MAB BRAKE ASSY	33	30904-0602240	PIN SHAFT	1				30903-0201610
F08-A	MAB BRAKE ASSY	34	6FIV-081010-7000	FLUID INLET PIPE, FRONT BRAKE	1				1
F08-A	MAB BRAKE ASSY	35	6FIV-081020-7001	FRONT BRAKE FLUID OUTLET HOSE	1				1
F08-A	MAB BRAKE ASSY	36	6FIV-080120-7100-M1	FRONT BRAKE CALIPER ASSY	1				1
F08-A	MAB BRAKE ASSY	37	6FIV-080120-71A0-M1	FRONT BRAKE PAD ASSY	1				1
F08-A	MAB BRAKE ASSY	38	6FIV-081100-7000-M1	MAB EXECUTION UNIT	1				1
F08-A	MAB BRAKE ASSY	39	6FIV-081030-7000	REAR BRAKE FLUID INLET HOSE	1				1
F08-A	MAB BRAKE ASSY	40	6FIV-081040-7000	REAR BRAKE FLUID OUTLET HOSE	1				1
F08-A	MAB BRAKE ASSY	41	6FIV-081200-7000-M1	REAR BRAKE MASTER CYLINDER	1				1
F08-A	MAB BRAKE ASSY	42	6FIV-080220-7100-M1	REAR BRAKE CALIPER ASSY	1				1
F08-A	MAB BRAKE ASSY	43	6FIV-080220-71A0-M1	REAR BRAKE PAD ASSY	1				1
F10	STEERING SYSTEM	1	6FIV-200400-7101	RH REARVIEW MIRROR ASSEMBLY	1				1

F10	STEERING SYSTEM	2	5280-100020	RH HAND GRIP ASSY	1			1
F10	STEERING SYSTEM	3	6FIV-167000-9000	RH HANDLEBAR SWITCH ASSY	1			1
F10	STEERING SYSTEM	4	6FIV-100100-7000	UPPER TRIPLE CLAMP HANDLEBAR ASSY	1			1
F10	STEERING SYSTEM	5	6K30-100002	CLUTCH PULL BINDING	2			1
F10	STEERING SYSTEM	6	6FIV-100400-7100	THROTTLE CABLE	1			1
F10	STEERING SYSTEM	7	30102-080025870	INNER HEX SCREW M8x25	2	M8x25		10
F10	STEERING SYSTEM	8	6FIV-100600-7100	CLUTCH CABLE	1			1
F10	STEERING SYSTEM	9	6F13-100301	CLUTCH LEVER	1		ABS	1
F10	STEERING SYSTEM	10	6F13-100300-10000	CLUTCH LEVER ASSY	1			1
F10	STEERING SYSTEM	11	6FIV-156000-7102	LH HANDLEBAR SWITCH ASSY	1			1
F10	STEERING SYSTEM	12	5280-100001	LH HAND GRIP	1			1
F10	STEERING SYSTEM	13	6FIV-200300-7101	LH REARVIEW MIRROR ASSEMBLY	1			1
F10	STEERING SYSTEM	14	6KM#-100002-8000	CLUTCH LEVER PLUG	2			1
F10	STEERING SYSTEM	15	801F-100101	TIE BAND	1			10
F11	REAR WHEEL	01	6FIV-110001-7100	REAR WHEEL SHAFT	1			1
F11	REAR WHEEL	02	30306-140112	WASHER	2	φ14		6
F11	REAR WHEEL	03	30200-080810	NUT	4	M8		1
F11	REAR WHEEL	04	6K30-110004	LOCK PAD	2			1
F11	REAR WHEEL	05	6F12-110003-10000	REAR SPROCKET	1			1
F11	REAR WHEEL	06	3120951	MOTORCYCLE CHAIN	1			1
F11	REAR WHEEL	07	6K30-110001-10000	REAR WHEEL RH SHAFT SLEEVE	2			1
F11	REAR WHEEL	08	6090-112100	SPROCKET SEAT ASSY	1			1
F11	REAR WHEEL	09	30500-027800N	OIL SEAL	2	FB27x47x7		1
F11	REAR WHEEL	10	30400-02001	BEARING	1	20x47x14		1
F11	REAR WHEEL	11	5280-112101	SHAFT SLEEVE	1			1
F11	REAR WHEEL	12	5190-070030-1000	VALVE, INFLATION	1			1
F11	REAR WHEEL	13	6K30-110003	BOLT	4			1
F11	REAR WHEEL	14	30705-1214	TIRE	1		REAR TIRE	1
F11	REAR WHEEL	15	6FIV-110100-6001-08200	REAR RIM ASSY	1		MATTE BLACK	1
F11	REAR WHEEL	16	6KJV-110004-8000	DAMPING RUBBER, SPROCKET SEAT	1			1
F11	REAR WHEEL	17	30400-01580	BEARING	1	6202-2RS		1
F11	REAR WHEEL	18	30204-143810	NUT	1	M14x1.5		10
F11	REAR WHEEL	19	6FIV-110102-6000	CENTER SPACER, REAR RIM	1			1
F11	REAR WHEEL	20	30400-01583	BEARING	1	6302-2RS		1
F12	FUEL TANK	1	30006-060025810	BOLT	4	M6x25		10
F12	FUEL TANK	2	5020-031002	RUBBER SLEEVE LINER	4		FOR FRONT LICENSE BRACKET	6
F12	FUEL TANK	3	5020-031001	RUBBER SLEEVE, FRONT LICENSE BRACKET	4			10
F12	FUEL TANK	4	6FIV-121000-7100	FUEL TANK ASSY	1			1
F12	FUEL TANK	5	6FIV-170200-7101-M1	FUEL LEVEL SENSOR	1			1
F12	FUEL TANK	6	6F13-170500-00001	FUEL LEVEL SENSOR BOLT	2			1
F12	FUEL TANK	7	6FIV-150900-7100	FUEL PUMP ASSY	1			1
F12	FUEL TANK	8	30102-050016810	SCREW	5	GB/T70.1 M5x16		10
F12	FUEL TANK	9	6090-120210	QUICK JOINT	1			1
F12	FUEL TANK	10	6070-120400	CLAMP(φ14.5)	2	Dia14.5		6
F12	FUEL TANK	11	6FIV-120030-7100	HIGH-PRESSURE FUEL HOSE ASSY	1			1
F12	FUEL TANK	12	6K30-120330-10000	QUICK JOINT	1			1
F12	FUEL TANK	13	30601-111010	CLAMP	1	A11@COLOR ZINC TRIVALENT CHROMIUM		6
F12	FUEL TANK	14	6KMV-120001-C000	FUEL TANK BREATHER HOSE	1			1
F13	SEAT	1	6FIV-130100-7101	FRONT SEAT ASSY	1		NEBULA WHITE &FIERY RED	1
F13	SEAT	1	6FIV-130100-7101-10	FRONT SEAT ASSY	1		MOSS GREEN	1
F13	SEAT	2	6FIV-130101-7100	SHOCK PAD	4			2
F13	SEAT	3	6WWW-047002-5000	INNER HEX SCREW M6x25	2			2
F13	SEAT	4	6KM0-120010	T-TYPE BUSHING ASSY	2			1
F13	SEAT	5	5020-031001	RUBBER SLEEVE, FRONT LICENSE BRACKET	2			10
F13	SEAT	6	6FIV-130200-7100	REAR SEAT ASSY	1		NEBULA WHITE &FIERY RED	1
F13	SEAT	6	6FIV-130200-7100-10	REAR SEAT ASSY	1		MOSS GREEN	1
F13	SEAT	7	6GUV-130300-7001	TIE-BAND ASSY	1			1
F13	SEAT	8	6WWW-046802-5000	INNER HEX SCREW M6x16	2			10
F14	FOOTREST	1	30204-143810	NUT	2	M14x1.5		10
F14	FOOTREST	2	6FIV-060007-7100	REAR FORK SHAFT	1			1
F14	FOOTREST	3	6WWW-046802-5000	INNER HEX SCREW M6x16	1			10
F14	FOOTREST	4	30303-060152	WASHER	1	6		10
F14	FOOTREST	5	30301-060470	WASHER	1	φ6		1
F14	FOOTREST	6	6FIV-142000-7100	LH FRONT FOOTREST BRACKET	1			1
F14	FOOTREST	7	30006-080025810	BOLT	2	M8x25		10
F14	FOOTREST	8	6FIV-141000-7100	GEARSWITCH ASSY	1			1
F14	FOOTREST	9	6FIV-143000-7100	RH FRONT FOOTREST ASSY	1			1
F14	FOOTREST	10	A000-1401B0	REAR FOOTREST, RH	1			1
F14	FOOTREST	11	A000-1401A0	REAR FOOTREST, LH	1			1
F14	FOOTREST	12	A000-140142	PIN SHAFT 8	2	Dia 8		2
F14	FOOTREST	13	A000-140106	LOCATING GASKET 2	2			2
F14	FOOTREST	14	A000-140109	REAR RH FOOTREST	1			1
F14	FOOTREST	15	5190-037813	SPRING	2			1
F14	FOOTREST	16	5190-037814	STEEL BALL	2			2
F14	FOOTREST	17	A000-140104	LOCATING GASKET 1	2			2
F14	FOOTREST	18	30802-06003	SPLIT WASHER 6	2	GB/T896_6		2
F14	FOOTREST	19	A000-140108	REAR LH FOOTREST	1			1
F14	FOOTREST	20	6FIV-140300-7100	REAR RH BRACKET FOOTREST	1			1
F14	FOOTREST	21	30102-080025810	SCREW	4	M8x25		10
F14	FOOTREST	22	6FIV-140200-7100	REAR LH FOOTREST BRACKET	1			1
F14	FOOTREST	23	A010-140123	LIMIT BOLT	2			10
F14	FOOTREST	24	6WWW-140141-5000	PIN SHAFT	2			10
F14	FOOTREST	25	A000-140103-20000	SPRING	2			1
F14	FOOTREST	26	30300-100112	WASHER	2	φ10		10
F14	FOOTREST	27	30903-0322210	COTTER PIN	2	φ3.2x22@COLOR ZINC TRIVALENT CHROMIUM		10
F14	FOOTREST	28	6FIV-140900-7100	FRONT RH FOOTREST SEAT	1			1
F14	FOOTREST	29	6FIV-140800-7100	REAR RH FOOTREST ASSY	1			1
F15-A	ELECTRIC SYSTEM(ABS)	1	6FIV-150100-5001	MAIN CABLE	1			1
F15-A	ELECTRIC SYSTEM(ABS)	2	30006-080014810	BOLT	1	M8x14		10
F15-A	ELECTRIC SYSTEM(ABS)	3	6FIV-150600-7000	HORN	1			1
F15-A	ELECTRIC SYSTEM(ABS)	4	6FIV-150420-7100	BATTERY NEGATIVE CABLE	1			1
F15-A	ELECTRIC SYSTEM(ABS)	5	6FIV-150176-7102	LICENSE LIGHT ADAPTOR CABLE	1			1
F15-A	ELECTRIC SYSTEM(ABS)	6	8010-150003	TIE BAND	9	5x250		1
F15-A	ELECTRIC SYSTEM(ABS)	7	801F-100101	TIE BAND	2			10

F15-A	ELECTRIC SYSTEM(ABS)	8	9010-150002	AUXILIARY RELAY RUBBER RING	3				6
F15-A	ELECTRIC SYSTEM(ABS)	9	CFCV-150524-2000-M1	AUXILIARY RELAY	3				1
F15-A	ELECTRIC SYSTEM(ABS)	10	30006-060022810	BOLT	2	M6x22			6
F15-A	ELECTRIC SYSTEM(ABS)	11	6FIV-177000-7000	REGULATOR	1				1
F15-A	ELECTRIC SYSTEM(ABS)	12	6FIV-151600-7000-M1	BATTERY	1				1
F15-A	ELECTRIC SYSTEM(ABS)	13	1080-150700	BATTERY TIE BAND	1				6FIV-151600-7001-M1
F15-A	ELECTRIC SYSTEM(ABS)	14	5270-150500	STARTER RELAY	1				1
F15-A	ELECTRIC SYSTEM(ABS)	15	30006-060012810	BOLT	2	M6x12			10
F15-A	ELECTRIC SYSTEM(ABS)	16	6FIV-001000-5000	ECM ASSY	1	M5E8.0			30006-060012870
F15-A	ELECTRIC SYSTEM(ABS)	17	30102-060012810	SCREW	2	M6x12			1
F15-A	ELECTRIC SYSTEM(ABS)	18	SN1V-691100-1201-11	T-BOX	1	@Eurasia and Africa and Australia except Turkey,BN,IN,BD,MN,NP	EU/AU/MIDDLE EAST/AFRICA/SOUTHEAST ASIA/WESTERN ASIA		1
F15-A	ELECTRIC SYSTEM(ABS)	18	SN1V-691100-1301-11	T-BOX	1	North America	NA		1
F15-A	ELECTRIC SYSTEM(ABS)	18	SN1V-691100-1401-11	T-BOX	1	AllyTech@South America except for Brazil	OTHER COUNTRIES IN SOUTH AMERICA EXCEPT BRAZIL-ZHIYUAN		1
F15-A	ELECTRIC SYSTEM(ABS)	18	SN1V-691100-1501-11	T-BOX	1	Turkey	TURKEY-ZHIYUAN		1
F15-A	ELECTRIC SYSTEM(ABS)	18	SN1V-691100-1601-11	T-BOX	1	Brazil	BRAZIL_ZHIYUAN		1
F15-A	ELECTRIC SYSTEM(ABS)	19	6KMV-150901-B001	RUBBER RING, T-BOX	2				6KMV-150901-B002
F15-A	ELECTRIC SYSTEM(ABS)	19	6KMV-150901-B002	T-BOX RUBBER RING	2				2
F15-A	ELECTRIC SYSTEM(ABS)	20	6FIV-003500-7100	HIGH-PRESSURE CABLE ASSEMBLY	1				1
F15-A	ELECTRIC SYSTEM(ABS)	21	6FIV-003400-8000	IGNITION COIL	1				1
F15-A	ELECTRIC SYSTEM(ABS)	22	30006-060035810	BOLT	1	M6x35			6
F15-A	ELECTRIC SYSTEM(ABS)	23	6090-150500	DIODE, STARTER	3				1
F15-A	ELECTRIC SYSTEM(ABS)	24	8010-151301	FUSE 5A	2	5A			2
F15-A	ELECTRIC SYSTEM(ABS)	25	806A-151305	FUSE 15A	5	15A			2
F15-A	ELECTRIC SYSTEM(ABS)	26	806A-151308	30A FUSE	2				1
F15-A	ELECTRIC SYSTEM(ABS)	27	6FIV-150310-7100	POSITIVE CABLE, STARTER MOTOR	1				1
F15-A	ELECTRIC SYSTEM(ABS)	28	6KMV-151500-3000	SIDE STAND SWITCH	1				1
F15-A	ELECTRIC SYSTEM(ABS)	29	8010-090005	BOLT M6x16	1	M6x16			10
F16-V1	LIGHTS	1	6FIV-160110-7102	HEADLIGHT	1				1
F16-V1	LIGHTS	2	30110-421130010	SELF-TAPPING SCREW	14	ST4.2x13@COLOR ZINC TRIVALENT CHROMIUM			10
F16-V1	LIGHTS	3	6GUV#-000201-6000	INNER HEX SCREW M6x25	2				10
F16-V1	LIGHTS	4	6GUV#-000202-6000	T-TYPE BUSHING ASSY	2				1
F16-V1	LIGHTS	5	5020-031001	RUBBER SLEEVE, FRONT LICENSE BRACKET	2				10
F16-V1	LIGHTS	6	8010-150003	TIE BAND	1	5x250			1
F16-V1	LIGHTS	7	6FIV-165100-7101	FRONT LH TURN LIGHT ASSEMBLY	1				1
F16-V1	LIGHTS	8	6FIV-165200-7101	RH FRONT TURN LIGHT ASSY	1				1
F16-V1	LIGHTS	9	9GQV-160920-1401-M1	FRONT SIDE REFLECTOR	2				1
F16-V1	LIGHTS	10	6FIV-161000-7100	FLASHER	1				1
F16-V1	LIGHTS	11	6KVV-160530-1000	REAR LH TURN LIGHT ASSY	1				1
F16-V1	LIGHTS	12	6KVV-160540-1000	REAR RH TURN LIGHT ASSY	1				1
F16-V1	LIGHTS	13	6FIV-160910-4000-M1	REAR REFLECTOR	1				1
F16-V1	LIGHTS	14	6GUV-160600-6200	LICENSE LIGHT	1				1
F16-V1	LIGHTS	15	6FIV-160200-7102	TAIL LIGHT	1				1
F16-V2	LIGHTS	1	6FIV-160110-7102	HEADLIGHT	1				1
F16-V2	LIGHTS	2	30110-421130010	SELF-TAPPING SCREW	14	ST4.2x13@COLOR ZINC TRIVALENT CHROMIUM			10
F16-V2	LIGHTS	3	6GUV#-000201-6000	INNER HEX SCREW M6x25	2				10
F16-V2	LIGHTS	4	6GUV#-000202-6000	T-TYPE BUSHING ASSY	2				1
F16-V2	LIGHTS	5	5020-031001	RUBBER SLEEVE, FRONT LICENSE BRACKET	2				10
F16-V2	LIGHTS	6	8010-150003	TIE BAND	1	5x250			1
F16-V2	LIGHTS	7	6FIV-165100-7101	FRONT LH TURN LIGHT ASSEMBLY	1				1
F16-V2	LIGHTS	8	6FIV-165200-7101	RH FRONT TURN LIGHT ASSY	1				1
F16-V2	LIGHTS	9	9GQV-160920-1401-M1	FRONT SIDE REFLECTOR	2				1
F16-V2	LIGHTS	10	6FIV-161000-7100	FLASHER	1				1
F16-V2	LIGHTS	11	6KVV-160530-1000	REAR LH TURN LIGHT ASSY	1				1
F16-V2	LIGHTS	12	6KVV-160540-1000	REAR RH TURN LIGHT ASSY	1				1
F16-V2	LIGHTS	13	6FIV-160910-4000-M1	REAR REFLECTOR	1				1
F16-V2	LIGHTS	14	6GUV-160600-6200	LICENSE LIGHT	1				1
F16-V2	LIGHTS	15	6FIV-160200-7102	TAIL LIGHT	1				1
F16-V2	LIGHTS	16	30202-050110	NUT	2	M5			10
F17	DASHBOARD	1	6FIV-171000-7100	DASHBOARD	1				1
F17	DASHBOARD	2	6090-040303	BUSHING	2				10
F17	DASHBOARD	3	6WWW-030019-5000	RUBBER BUSHING	2				2
F17	DASHBOARD	4	30301-060470	WASHER	2	φ6			1
F17	DASHBOARD	5	30202-060110	NUT	2	M6@COLOR ZINC TRIVALENT CHROMIUM			10
F19-1	WARNING LABEL,FUEL TANK	1	6FIA-190201-6500	FUEL TANK WARNING LABEL	1				1
F19-2-B	DECAL(MOSS GREEN-ABS)	1	6FIV-190101-7101-12	LH COMMERCIAL NAME DECAL	1				1
F19-2-B	DECAL(MOSS GREEN-ABS)	2	6FIV-190102-7101-12	RH COMMERCIAL NAME DECAL	1				1
F19-2-B	DECAL(MOSS GREEN-ABS)	3	6FIV-190103-7100-12	LH MORE FUN DECAL	1				1
F19-2-B	DECAL(MOSS GREEN-ABS)	4	6FIV-190104-7100-12	RH MORE FUN DECAL	1				1
F19-2-B	DECAL(MOSS GREEN-ABS)	5	6FIV-190105-7100-12	LH CFMOTO DECAL	1				1
F19-2-B	DECAL(MOSS GREEN-ABS)	6	6FIV-190106-7100-12	RH CFMOTO DECAL	1				1
F19-2-B	DECAL(MOSS GREEN-ABS)	7	6FIV-190108-7100-12	LH ABS DECAL	1				1
F19-2-B	DECAL(MOSS GREEN-ABS)	8	6FIV-190109-7100-12	RH ABS DECAL	1				1
F19-2-C	DECAL(FIERY RED-ABS)	1	6FIV-190101-7100-13	LH FRONT PANEL A DECAL	1				1
F19-2-C	DECAL(FIERY RED-ABS)	2	6FIV-190102-7100-13	FRONT RH PANEL A DECAL	1				1
F19-2-C	DECAL(FIERY RED-ABS)	3	6FIV-190103-7100-13	LH MORE FUN DECAL	1				1
F19-2-C	DECAL(FIERY RED-ABS)	4	6FIV-190104-7100-13	RH MORE FUN DECAL	1				1
F19-2-C	DECAL(FIERY RED-ABS)	5	6FIV-190105-7100-13	LH CFMOTO DECAL	1				1
F19-2-C	DECAL(FIERY RED-ABS)	6	6FIV-190106-7100-13	RH CFMOTO DECAL	1				1
F19-2-C	DECAL(FIERY RED-ABS)	7	6FIV-190108-7100-13	LH ABS DECAL	1				1
F19-2-C	DECAL(FIERY RED-ABS)	8	6FIV-190109-7100-13	RH ABS DECAL	1				1
F19-2-C	DECAL(FIERY RED-ABS)	9	6FIV-190110-7100-13	COMMERCIAL NAME DECAL	2				2
F19-2-D	DECAL(NEBULA WHITE-ABS)	1	6FIV-190101-7100-10	LH COMMERCIAL NAME DECAL	1				1
F19-2-D	DECAL(NEBULA WHITE-ABS)	2	6FIV-190102-7100-10	RH COMMERCIAL NAME DECAL	1				1
F19-2-D	DECAL(NEBULA WHITE-ABS)	3	6FIV-190103-7100-10	TAIL LIGHT LH PANEL DECAL	1				1
F19-2-D	DECAL(NEBULA WHITE-ABS)	4	6FIV-190104-7100-10	TAIL LIGHT RH PANEL DECAL	1				1
F19-2-D	DECAL(NEBULA WHITE-ABS)	5	6FIV-190105-7100-10	LH CFMOTO DECAL	1				1
F19-2-D	DECAL(NEBULA WHITE-ABS)	6	6FIV-190106-7100-10	RH CFMOTO DECAL	1				1
F19-2-D	DECAL(NEBULA WHITE-ABS)	7	6FIV-190108-7100-11	LH ABS DECAL	1				1
F19-2-D	DECAL(NEBULA WHITE-ABS)	8	6FIV-190109-7100-11	RH ABS DECAL	1				1
F19-3	MODEL DECAL	1	6FIV-190108-5000-10	MODEL DECAL	2				2
F19-4	WARNING LABEL, FUEL FILLING PORT	01	9GQA-190201-10000	FUEL FILLING PORT WARNING LABEL	1				68LV-190201-1001
F19-5	GSO LABEL(MIDDLE EAST GULF STATES)	01	6KMV-190017-B400	GSO LABEL	1				1
F20	TOOLS	01	6100-200100-10000	TOOL KIT	1				1
F20	TOOLS	02	8010-000012	TIE BAND ASSY	2				1

F36	FUEL VAPORIZATION SYSTEM	1	30601-109010	CLAMP	2	A9		6	
F36	FUEL VAPORIZATION SYSTEM	2	6FIV-360001-7100	FUEL VAPOR ADSORPTION HOSE 1	1			1	
F36	FUEL VAPORIZATION SYSTEM	3	30601-108010	CLAMP	3	A8@COLOR ZINC TRIVALENT CHROMIUM		6	
F36	FUEL VAPORIZATION SYSTEM	4	606B-360100	ANTI-ROLLCOVER VALVE	1			1	
F36	FUEL VAPORIZATION SYSTEM	5	6FIV-360002-7100	FUEL VAPOR ADSORPTION HOSE 2	1			1	
F36	FUEL VAPORIZATION SYSTEM	6	6FIV-360200-7100	CANISTER	1			1	
F36	FUEL VAPORIZATION SYSTEM	7	30601-114010	CLAMP	1	"		1	
F36	FUEL VAPORIZATION SYSTEM	8	6FIV-360003-7100	FUEL VAPOR DESORPTION HOSE 1	1			1	
F36	FUEL VAPORIZATION SYSTEM	9	30601-112010	CLAMP	2	A12@COLOR ZINC TRIVALENT CHROMIUM		6	
F36	FUEL VAPORIZATION SYSTEM	10	6FIV-003200-8000	CANISTER MAGNETIC VALVE	1			1	
F36	FUEL VAPORIZATION SYSTEM	11	6FIV-360004-7100	FUEL VAPOR DESORPTION HOSE 2	1			1	
F36	FUEL VAPORIZATION SYSTEM	12	6FIV-041503-7100	CANISTER BOX	1			1	
F36	FUEL VAPORIZATION SYSTEM	13	6WVV-046703-5000	INNER HEX SCREW M6x12	2			10	6WVV-046802-5000
F38	OWNERS MANUAL	1	6FIV-380101-7200-12	EU OWNERS MANUAL	1			1	
F41	AIR FILTER	1	0K1A-110000-5000	AIR FILTER ASSY	1			1	
F41	AIR FILTER	2	0K1A-110100	d44 CLAMP ASSY	1	d44		1	
F41	AIR FILTER	3	30601-114010	CLAMP	2	"		1	
F41	AIR FILTER	4	30601-113510	CLAMP	1			1	30601-113520
F41	AIR FILTER	5	30601-118010	CLAMP	4	A18		6	
F41	AIR FILTER	6	0K1V-112000-4000	FILTER ELEMENT	1			1	
F41	AIR FILTER	7	30112-050016430	SCREW ASSY	4	M5x16@CHROME-PLATED		6	30112-050016440
F41	AIR FILTER	8	0K1V-140006-5000	SECONDARY GULP RESTRICTION PLUG	1			2	
F41	AIR FILTER	9	0HUV-179000	GULP VALVE	1			1	0HUV-179000-1000-10/0HUV-179000-1000
F41	AIR FILTER	10	0K1V-140002-5000	AIS AIR OUTLET PIPE	1			1	
F41	AIR FILTER	11	03YC-022200	SAS ONE-WAY VALVE	1			1	
F41	AIR FILTER	12	0010-013008-0010	BOLT M6x35	2	GALVANIZED TRIVALENT CHROMIUM		6	
F41	AIR FILTER	13	0K1V-140005-5000	GULP VALVE BRACKET	1			1	
F41	AIR FILTER	14	8030-020101	ONE-WAY VALVE GASKET	1			1	
F41	AIR FILTER	15	0010-023008-00001	BOLT	2			6	
F41	AIR FILTER	16	0K1V-140003-5000	AIS METAL PIPE	1			1	
F41	AIR FILTER	17	0010-090005-0010	BOLT M6x16	2	GALVANIZED TRIVALENT CHROMIUM		6	
F41	AIR FILTER	18	0K1V-140004-5000	SAS PIPE GASKET	1			1	
E01-1	LEFT CRANKCASE ASSY.	01	30400-02006	BEARING	1	20x47x14		1	
E01-1	LEFT CRANKCASE ASSY.	02	0C10-011007	DOWEL PIN	4	Dia11x16		1	
E01-1	LEFT CRANKCASE ASSY.	03	30400-03503	BEARING	1	35x72x17		1	
E01-1	LEFT CRANKCASE ASSY.	04	30400-01502	BEARING	1	15x32x9		1	
E01-1	LEFT CRANKCASE ASSY.	05	30400-02001	BEARING	1	20x47x14		1	
E01-1	LEFT CRANKCASE ASSY.	06	0A70-011008	SCREW 4x11	1	4x11		6	
E01-1	LEFT CRANKCASE ASSY.	07	0010-011005-00001	CYLINDER STUD BOLT B	2			2	0010-011005-00002
E01-1	LEFT CRANKCASE ASSY.	7	0010-011005-00002	CYLINDER BOLT B	2			2	
E01-1	LEFT CRANKCASE ASSY.	08	0A70-011009-00001	SCREW PLUG M14x1.25x12	1			1	
E01-1	LEFT CRANKCASE ASSY.	09	0K12-011100-0B204	LH CRANKCASE	1			1	
E01-1	LEFT CRANKCASE ASSY.	10	30202-060110	NUT	2	M6@COLOR ZINC TRIVALENT CHROMIUM		10	30204-060810
E01-1	LEFT CRANKCASE ASSY.	11	30011-060025820	STUD	2	M6x25		6	
E01-1	LEFT CRANKCASE ASSY.	12	0A70-013004	PLUG	1			6	
E01-1	LEFT CRANKCASE ASSY.	13	0A80-011002	BREATHER HOSE JOINT	1			1	
E01-1	LEFT CRANKCASE ASSY.	14	0A70-011005-00001	BOLT M6x75	6	GALVANIZED TRIVALENT CHROMIUM		6	
E01-1	LEFT CRANKCASE ASSY.	15	0180-014010	WIRE CLAMP	1			6	6WVV-030080-8000
E01-1	LEFT CRANKCASE ASSY.	16	0010-080008	DOWEL PIN	3	8X14		6	
E01-1	LEFT CRANKCASE ASSY.	17	0010-011017-0010	BOLT M6x60	7	GALVANIZED TRIVALENT CHROMIUM		6	
E01-1	LEFT CRANKCASE ASSY.	18	0A80-011500	OIL SEAL	1	20x40X6		1	
E01-1	LEFT CRANKCASE ASSY.	19	0A70-011006	COUNTERSHAFT OIL SEAL PRESS	1			1	
E01-1	LEFT CRANKCASE ASSY.	20	30004-060010850	BOLT M6x10	2	M6x10		10	
E01-1	LEFT CRANKCASE ASSY.	21	0A70-011400	OIL SEAL	1	12x22x9		1	
E01-1	LEFT CRANKCASE ASSY.	22	0A80-011001	GASKET, LH FRONT COVER	1			1	
E01-1	LEFT CRANKCASE ASSY.	23	0010-021018-0010	BOLT M6x55	1	GALVANIZED TRIVALENT CHROMIUM		6	
E01-1	LEFT CRANKCASE ASSY.	24	0A70-011300	FILTER ASSY	1			1	
E01-1	LEFT CRANKCASE ASSY.	25	30116-050012410	SCREW ASSY	2	M5x12@COLOR ZINC TRIVALENT CHROMIUM		1	30018-050012810
E01-1	LEFT CRANKCASE ASSY.	26	0180-013208-0010	BOLT M6x45	2	GALVANIZED TRIVALENT CHROMIUM		6	
E01-1	LEFT CRANKCASE ASSY.	27	0010-013010-0010	BOLT M6x50	1	GALVANIZED TRIVALENT CHROMIUM		6	0JVV-011108-3000
E01-1	LEFT CRANKCASE ASSY.	28	0A70-011002	O-RING 60.5x2.4,OIL STRAINER COVER	1	60.5x2.4		1	
E01-1	LEFT CRANKCASE ASSY.	29	0A70-011004-0B20	FILTER COVER	1	MATTE BLACK		1	
E01-1	LEFT CRANKCASE ASSY.	30	0A70-0110A0-0B20	FILTER COVER ASSY	1	MATTE BLACK		1	
E01-1	LEFT CRANKCASE ASSY.	31	0010-023010-0010	BOLT M6x20	3	GALVANIZED TRIVALENT CHROMIUM		6	0JVV-011107-3000
E01-1	LEFT CRANKCASE ASSY.	32	0180-011006	GASKET 14	1	14		6	
E01-2	RIGHT CRANKCASE ASSY.	01	0K12-012100-0B20	RH CRANKCASE	1	MATTE BLACK		1	
E01-2	RIGHT CRANKCASE ASSY.	02	0A70-012007	PLUG	2			2	
E01-2	RIGHT CRANKCASE ASSY.	03	0A70-012006	PRESS PLATE, OIL PASSAGE	1			6	
E01-2	RIGHT CRANKCASE ASSY.	04	30004-060012820	BOLT M6x12	1	M6x12		6	
E01-2	RIGHT CRANKCASE ASSY.	05	30400-02008	BEARING	1	20x42x12		1	
E01-2	RIGHT CRANKCASE ASSY.	06	30400-02801	BEARING	1	28x52x12		1	
E01-2	RIGHT CRANKCASE ASSY.	07	30400-02000	BEARING	1	20x47x14		1	
E01-2	RIGHT CRANKCASE ASSY.	08	0A70-012002	PRESS TOOL, BEARING	1			1	
E01-2	RIGHT CRANKCASE ASSY.	09	30107-060012410	SCREW	2	M6x12@COLOR ZINC-PLATED		6	
E01-2	RIGHT CRANKCASE ASSY.	10	30400-01503	BEARING	1	15x35x11		1	
E01-2	RIGHT CRANKCASE ASSY.	11	0A80-012005	RH SIDE COVER GASKET	1			1	
E01-2	RIGHT CRANKCASE ASSY.	12	0010-080008	DOWEL PIN	2	8X14		6	
E01-2	RIGHT CRANKCASE ASSY.	13	0A70-012001-00003	LIMIT BOLT	1			1	
E01-2	RIGHT CRANKCASE ASSY.	14	0A70-012004-00001	CYLINDER STUD M8x175	2			1	0A70-012004-00002
E01-2	RIGHT CRANKCASE ASSY.	14	0A70-012004-00002	CYLINDER STUD	2	M8x175		2	
E01-2	RIGHT CRANKCASE ASSY.	15	0A70-012003-00002	STUD	1	M6x99		2	
E01-3	RIGHT SIDE COVER ASSY.	01	0A80-013001-2B201	RH SIDE COVER	1	MATTE BLACK		1	
E01-3	RIGHT SIDE COVER ASSY.	02	0A70-013100	OIL SEAL 12x21x7, CRANKCASE	1	12x21x7		1	
E01-3	RIGHT SIDE COVER ASSY.	03	0A80-013003	PRESS PLATE, OIL SEAL	1			1	
E01-3	RIGHT SIDE COVER ASSY.	04	30105-060012410	SCREW	1	M6x12		1	
E01-3	RIGHT SIDE COVER ASSY.	05	0A70-013500	VIEWER, OIL LEVEL	1			1	
E01-3	RIGHT SIDE COVER ASSY.	06	0A70-013004	PLUG	1			6	
E01-3	RIGHT SIDE COVER ASSY.	07	30017-060022110	STUD	2	M6x22		6	
E01-3	RIGHT SIDE COVER ASSY.	08	0180-011006	GASKET 14	1	14		6	
E01-3	RIGHT SIDE COVER ASSY.	09	0A70-013007-00001	SCREW PLUG M14x1.25x12	1			6	
E01-3	RIGHT SIDE COVER ASSY.	10	0A70-013006	O-SEAL RING 16.8x3.1	1	16.8x3.1		1	
E01-3	RIGHT SIDE COVER ASSY.	11	0A70-013005	OIL FILLING PORT BOLT PLUG	1			1	
E01-3	RIGHT SIDE COVER ASSY.	12	01A0-013005	O-SEAL RING	1	13x2		2	
E01-3	RIGHT SIDE COVER ASSY.	13	0A70-013200	FILTER ELEMENT, PAPER	1			1	



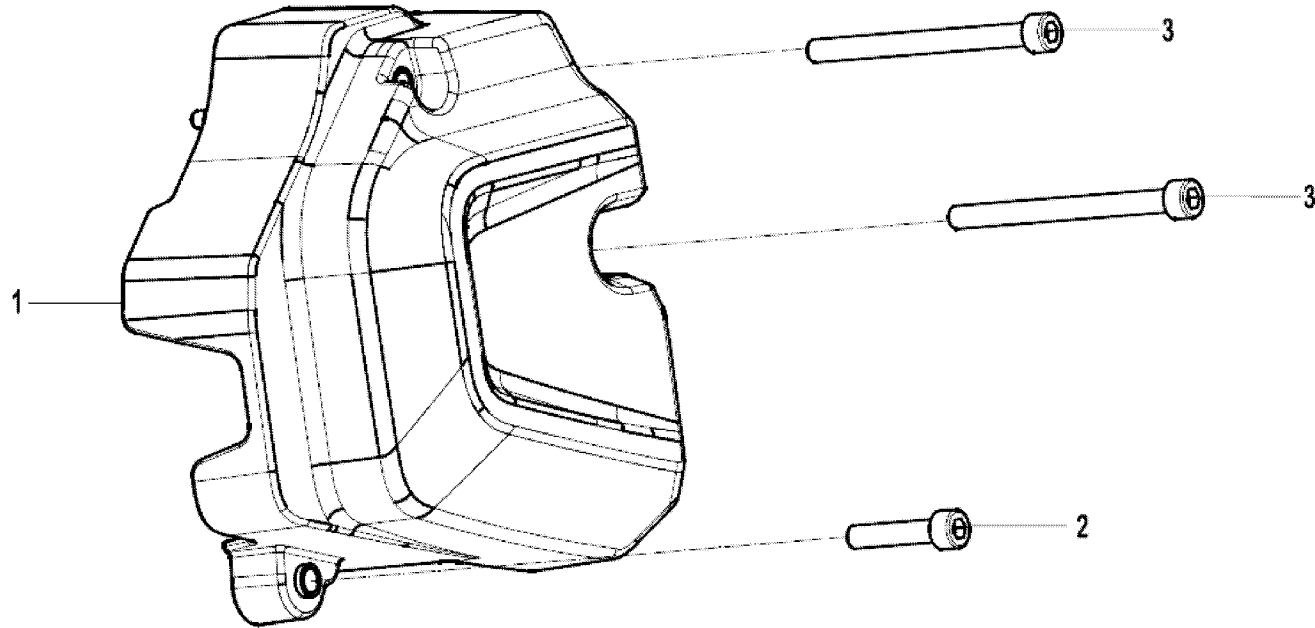
E03	MAGNETO ASSY.	02	0A70-014004-00002	BOLT M5x25	3	M5x25		6
E03	MAGNETO ASSY.	03	30102-050012810	SCREW	2		M5x12@COLOR ZINC TRIVALENT CHROMIUM	10
E03	MAGNETO ASSY.	04	0K1V-032000-4000	MAGNETO STATOR ASSY	1			1
E04	CRANKSHAFT /CONNECTING ROD & PISTON ASSY	01	0A70-040007	NUT M16	1	M16		6
E04	CRANKSHAFT /CONNECTING ROD & PISTON ASSY	02	0A70-040008	LOCK WASHER	1			6
E04	CRANKSHAFT /CONNECTING ROD & PISTON ASSY	02	0A70-040008-00001	LOCK CIRCLIP	1			2
E04	CRANKSHAFT /CONNECTING ROD & PISTON ASSY	03	3121100	GUIDE BLOCK B4x4x16	1	B4x4x16		6
E04	CRANKSHAFT /CONNECTING ROD & PISTON ASSY	04	0A70-040009	DRIVE GEAR, OIL PUMP	1			1
E04	CRANKSHAFT /CONNECTING ROD & PISTON ASSY	05	0A80-043000	PRIMARY DRIVEN GEAR ASSY	1			1
E04	CRANKSHAFT /CONNECTING ROD & PISTON ASSY	06	0A80-040003	GEAR, CRANKSHAFT BALANCER	1			1
E04	CRANKSHAFT /CONNECTING ROD & PISTON ASSY	07	0K1Z-041000	CRANKSHAFT CONNECTING ROD SUB ASSY	1			1
E04	CRANKSHAFT /CONNECTING ROD & PISTON ASSY	08	0A70-040011	WOODRUFF KEY	1			1
E04	CRANKSHAFT /CONNECTING ROD & PISTON ASSY	09	0110-052008-00002	NUT	1			6
E04	CRANKSHAFT /CONNECTING ROD & PISTON ASSY	10	0A70-0400A0	PISTON RING ASSY	1			1
E04	CRANKSHAFT /CONNECTING ROD & PISTON ASSY	11	0C10-040003	CIRCLIP, PISTON PIN	2			1
E04	CRANKSHAFT /CONNECTING ROD & PISTON ASSY	12	0C10-040001	PISTON	1			1
E04	CRANKSHAFT /CONNECTING ROD & PISTON ASSY	13	0C10-040002	PISTON PIN	1			1
E05	CLUTCH ASSY.	01	0A70-050002	WASHER	2	20x34.5x2		6
E05	CLUTCH ASSY.	02	0A80-051100-00001	PRIMARY DRIVEN GEAR ASSY	1			1
E05	CLUTCH ASSY.	03	0A80-050001	BUSHING, PRIMARY DRIVEN GEAR	1			1
E05	CLUTCH ASSY.	04	0A70-051201-00001	CLUTCH HUB	1			1
E05	CLUTCH ASSY.	05	0K1V-050010-4000	CLUTCH DRIVE DISC 1	2			1
E05	CLUTCH ASSY.	06	0K1V-050020-4000	CLUTCH DRIVE DISC 2	3			1
E05	CLUTCH ASSY.	07	0A70-051202-00001	DRIVEN DISC, CLUTCH	4			1
E05	CLUTCH ASSY.	08	0A70-050004	LOCK WASHER	1			6
E05	CLUTCH ASSY.	09	0A70-050005	NUT	1	M16X1.5		6
E05	CLUTCH ASSY.	10	0A80-050006	CLUTCH ROD	1			1
E05	CLUTCH ASSY.	11	0A80-050030	THRUST BEARING AND BRACKET ASSY	1			1
E05	CLUTCH ASSY.	12	0A80-050008-00001	CLUTCH PRESSURE PLATE	1			1
E05	CLUTCH ASSY.	13	0A70-051204-00001	CLUTCH SPRING	5			1
E05	CLUTCH ASSY.	14	30112-050016410	SCREW ASSY	5	M5x16@COLOR ZINC TRIVALENT CHROMIUM		6
E05	CLUTCH ASSY.	15	0A80-050009	CLUTCH ROD	1			1
E05	CLUTCH ASSY.	16	0A70-052002	WASHER	1	10x20x1		6
E05	CLUTCH ASSY.	17	0110-080005	OIL SEAL	1	10x20x5		1
E05	CLUTCH ASSY.	18	0A80-050005	SEPARATE SWING ARM	1			1
E05	CLUTCH ASSY.	19	0010-090005-0010	BOLT M6x16	1		GALVANIZED TRIVALENT CHROMIUM	6
E05	CLUTCH ASSY.	20	0A80-050004	WASHER	1			1
E05	CLUTCH ASSY.	21	0K1V-051000-4000	CLUTCH SUB ASSY	1			1
E06	TRANSMISSION ASSY.	01	0A80-063000-00001	GEARSHIFT LEVER ASSY	1			1
E06	TRANSMISSION ASSY.	02	0180-021008-00001	BOLT	1	M14x1.25x12		2
E06	TRANSMISSION ASSY.	03	0180-011006	GASKET 14	1	14		6
E06	TRANSMISSION ASSY.	04	0A70-060012	SPRING, NEUTRAL	1			1
E06	TRANSMISSION ASSY.	05	0A70-060013	NEUTRAL STOPPER	1			1
E06	TRANSMISSION ASSY.	06	0A70-065100	CAM STOPPER	1			1
E06	TRANSMISSION ASSY.	07	0A70-065003	GEARSHIFT POSITION SPRING	1			6
E06	TRANSMISSION ASSY.	08	0A70-065001-00001	GEARSHIFT CAM BOLT	1			2
E06	TRANSMISSION ASSY.	09	0A70-065002	WASHER 6	1	6		6
E06	TRANSMISSION ASSY.	10	0DMV-066000-2701	GEAR CONTACTOR	1			1
E06	TRANSMISSION ASSY.	11	0A70-060014	O-RING	1	26.2x2.4		2
E06	TRANSMISSION ASSY.	12	30116-050020410	SCREW ASSY	2	M5x20@COLOR ZINC TRIVALENT CHROMIUM		6
E06	TRANSMISSION ASSY.	13	0A70-064002	CAM STOPPER	1			1
E06	TRANSMISSION ASSY.	14	0A70-064001	WASHER	1	25x40x1		2
E06	TRANSMISSION ASSY.	15	0A70-064004	GEAR SWITCH CONTACTOR	1			2
E06	TRANSMISSION ASSY.	16	0A70-064003	SPRING	1			2
E06	TRANSMISSION ASSY.	17	30901-0400600	PIN	1	φ4x6		6
E06	TRANSMISSION ASSY.	18	0A80-064200-00001	GEARSHIFT CAM HUB ASSY	1			1
E06	TRANSMISSION ASSY.	19	0A70-064100	DRIVEN GEAR, CAM	1			1
E06	TRANSMISSION ASSY.	20	0A70-064005	RH PAWL	1			1
E06	TRANSMISSION ASSY.	21	0A70-064008	LH PAWL	1			1
E06	TRANSMISSION ASSY.	22	0A70-064006	PIN, GEARSHIFT	2			2
E06	TRANSMISSION ASSY.	23	0A70-064007	SPRING	2			2
E06	TRANSMISSION ASSY.	24	0A70-060006	PAWL PLATE, GEARSHIFT	1			1
E06	TRANSMISSION ASSY.	25	0A70-060005	CAM GUIDE	1			1
E06	TRANSMISSION ASSY.	26	30107-060012410	SCREW	4	M6x12@COLOR ZINC-PLATED		6
E06	TRANSMISSION ASSY.	27	0A70-060003-00001	FORK SHAFT	1			1
E06	TRANSMISSION ASSY.	28	0A70-060004	SHIFT FORK	2			1
E06	TRANSMISSION ASSY.	29	0A70-060002	FORK, MIDDLE	1			1
E06	TRANSMISSION ASSY.	30	0A70-060001-00001	FORK SHAFT	1			1
E06	TRANSMISSION ASSY.	31	0A80-062009	WASHER	2	15x25x1.5		2
E06	TRANSMISSION ASSY.	32	0A80-062008	BUSHING	1			1
E06	TRANSMISSION ASSY.	33	0A80-062001	COUNTERSHAFT 1ND GEAR	1	33		1
E06	TRANSMISSION ASSY.	34	0A80-062005	COUNTERSHAFT 5ND GEAR	1	22		1
E06	TRANSMISSION ASSY.	35	0A80-061008	CIRCLIP	3			1
E06	TRANSMISSION ASSY.	36	0A80-062007	WASHER	2			2
E06	TRANSMISSION ASSY.	37	0A80-062004	COUNTERSHAFT 4ND GEAR	1	24		1
E06	TRANSMISSION ASSY.	38	0A80-062003	COUNTERSHAFT 3ND GEAR	1	26		1
E06	TRANSMISSION ASSY.	39	0A80-062006	COUNTERSHAFT 6ND GEAR	1	21		1
E06	TRANSMISSION ASSY.	40	0A80-062020	COUNTERSHAFT 2ND GEAR ASSY	1	26		1
E06	TRANSMISSION ASSY.	41	0K1A-062070-00001	COUNTERSHAFT ASSY	1			1
E06	TRANSMISSION ASSY.	42	0A80-060001	DRIVE SPROCKET	1			1
E06	TRANSMISSION ASSY.	43	0A80-060002	SPROCKET GUARD	1			1
E06	TRANSMISSION ASSY.	44	30004-060010850	BOLT M6x10	2	M6x10		10
E06	TRANSMISSION ASSY.	45	0K1A-060007	SPEED SENSOR DISC	1			1
E06	TRANSMISSION ASSY.	46	0110-090009-00002	INNER HEX SCREW	1		NO ABS	2
E06	TRANSMISSION ASSY.	46	0010-080008	DOWEL PIN	1	8X14	NO ABS	6
E06	TRANSMISSION ASSY.	47	0A80-061000-00002	MAIN SHAFT ASSY	1		ABS	1
E06	TRANSMISSION ASSY.	48	0K1A-062000-00001	COUNTERSHAFT ASSY	1			1
E07	OIL PUMP ASSY.	01	0A70-071000	OIL PUMP SUB ASSY	1			1
E07	OIL PUMP ASSY.	02	0010-021017-0010	BOLT M6x25	3		GALVANIZED TRIVALENT CHROMIUM	6
E07	OIL PUMP ASSY.	03	30406-00201	ROLLER NEEDLE	1	P2.5x22		1
E07	OIL PUMP ASSY.	04	0A70-070001	DRIVEN GEAR, OIL PUMP	1			1
E07	OIL PUMP ASSY.	05	30802-00605	SPLIT WASHER	1	6		10
E09	ELECTRIC STARTING ASSY.	01	0010-021017-0010	BOLT M6x25	2		GALVANIZED TRIVALENT CHROMIUM	6
E09	ELECTRIC STARTING ASSY.	02	0A80-093000	STARTING MOTOR	1			1

E09	ELECTRIC STARTING ASSY.	03	0A80-090001-00001	DUAL GEAR 1	1			1	
E09	ELECTRIC STARTING ASSY.	04	0A80-090003	SHAFT, DUAL GEAR 1	1			1	
E09	ELECTRIC STARTING ASSY.	05	0A80-090002-00001	DUAL GEAR 2	1			1	
E09	ELECTRIC STARTING ASSY.	06	0A70-091002-00001	SHAFT, DUAL GEAR	1			1	
E09	ELECTRIC STARTING ASSY.	07	0A8A-092000	GEAR, STARTING MOTOR	1			1	
E09	ELECTRIC STARTING ASSY.	08	0A8A-094000	CLUTCH	1			1	
E09	ELECTRIC STARTING ASSY.	09	0A8A-090004-00002	SCREW	3	M8×16		6	
E16	BALANCE SHAFT ASSY.	01	0110-051007-00002	NUT M14×1.5	1			1	
E16	BALANCE SHAFT ASSY.	02	0010-051004	WASHER	1	14×28×2		1	
E16	BALANCE SHAFT ASSY.	03	0A80-160005	CRCLIP38	1	38		1	
E16	BALANCE SHAFT ASSY.	04	0A80-160001	GEAR, BALANCE SHAFT	1			1	0A80-160001-00001
E16	BALANCE SHAFT ASSY.	05	0A80-160004	BALANCER GEAR SPRING	2			1	
E16	BALANCE SHAFT ASSY.	06	0A80-160003	DAMPER, BALANCE SHAFT GEAR	2			1	
E16	BALANCE SHAFT ASSY.	07	0A80-160002	WASHER	1			1	
E16	BALANCE SHAFT ASSY.	08	0K12-161000	BALANCE SHAFT ASSY	1			1	
E17	THROTTLE BODY ASSY.	01	0K1V-173000-4001	THROTTLE BODY	1			1	

F00 发动机安装附件 ENGINE FITTINGS

Item No.	Parts Number	Parts Name(EN)	Qty	Specification	Remark(s)	MOQ	Alternative Parts
1	6FIV-040011-7100	SMALL SPROCKET GUARD	1			1	
2	0010-021017-0010	BOLT M6x25	1	GALVANIZED TRIVALENT CHROMIUM		6	
3	0020-011018-00001	BOLT	2			6	

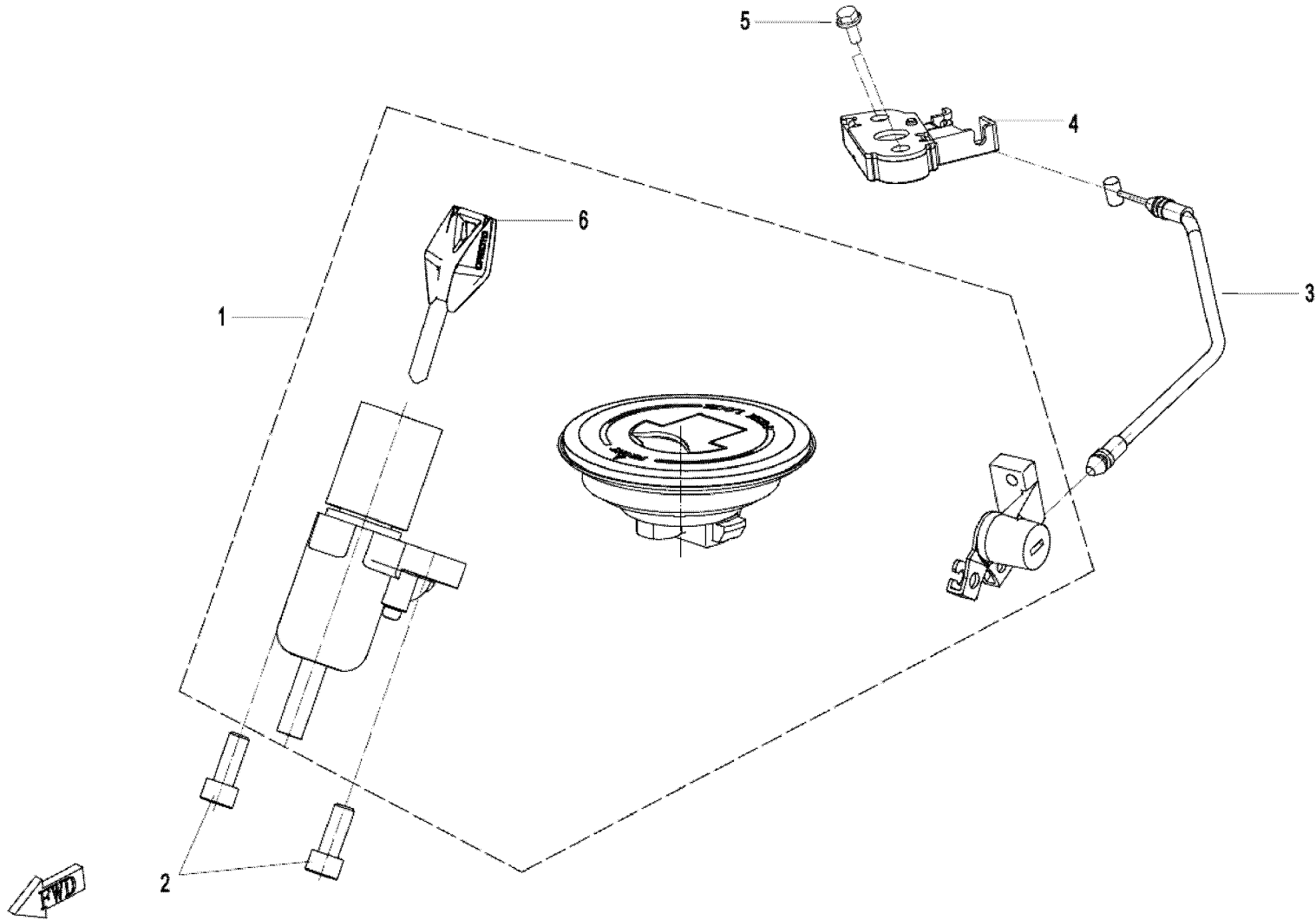
安装附件/ENGINE FITTINGS



# F01 锁具 LOCK KIT

Item No.	Parts Number	Parts Name(EN)	Qty	Specification	Remark(s)	MOQ	Alternative Parts
01	6FIV-011000-7101	LOCK KIT	1			1	
02	30102-080020810	SCREW	2	M8x20@TRIVALENT CHROMIUM		1	
03	6FIV-010010-7100	SEAT CABLE	1			1	
04	6GU#-010320-6000	SEAT LOCK SEAT	1			1	
05	30006-060016810	BOLT	2	M6x16		10	
06	6FIV-011020-7100	KEY	1			1	

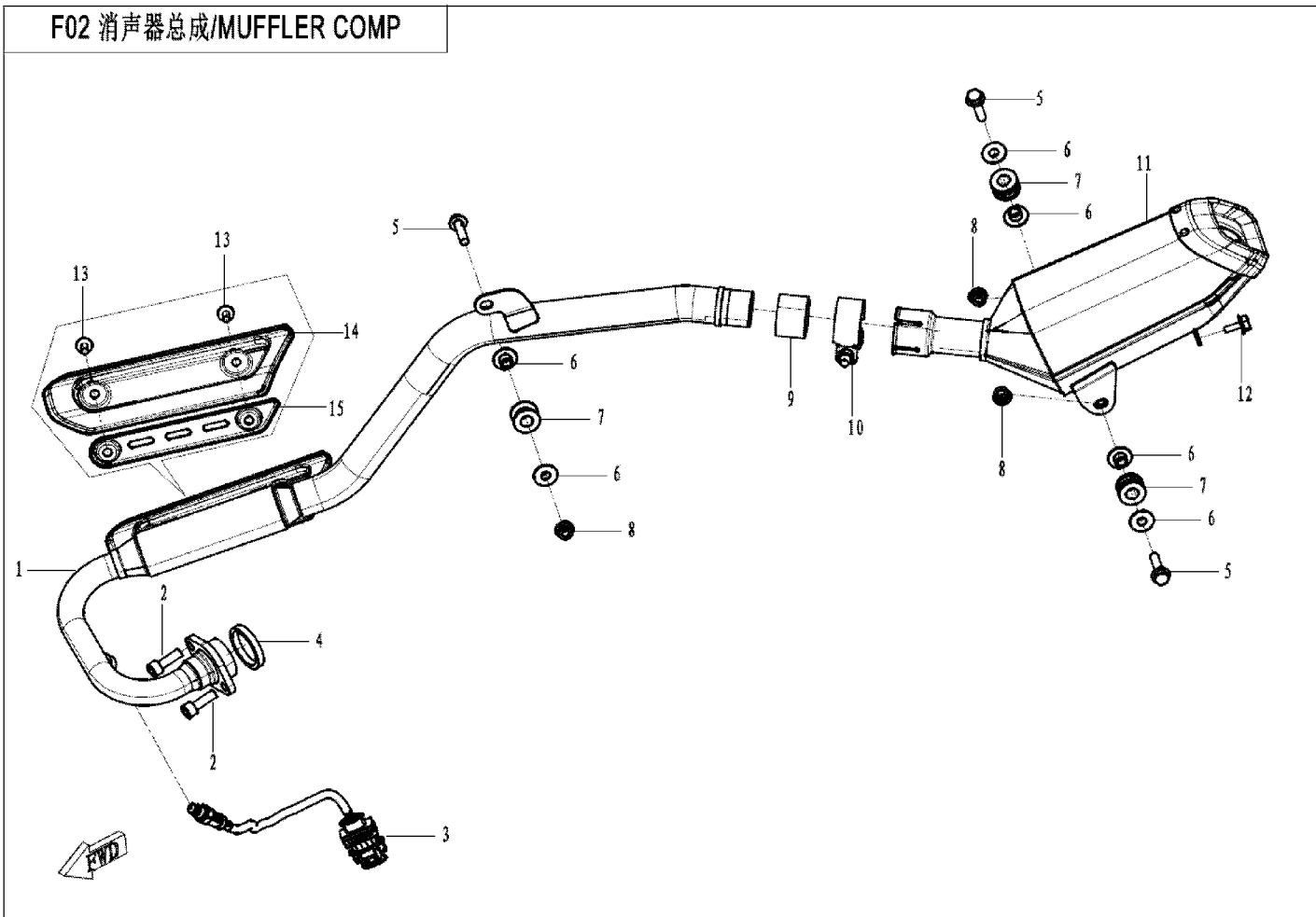
## 锁具总成/LOCK ASSY



## F02 消声器 MUFFLER

Item No.	Parts Number	Parts Name(EN)	Qty	Specification	Remark(s)	MOQ	Alternative Parts
1	6FIV-021100-5001	EXHAUST PIPE ASSY	1			1	
2	30102-080025810	SCREW	2	M8×25		10	
3	8AJV-004100-1000	OXYGEN SENSOR	1			1	
4	6090-020010	EXHAUST PORT GASKET	1	42x33x5		1	
5	30006-080035810	BOLT	3	M8×35		10	
6	6WWW-020002-5001	BUSHING, MUFFLER BODY	6			1	
7	6WWW-020003-5000	RUBBER SLEEVE, MUFFLER BODY	3			1	
8	30204-080810	LOCK NUT	3	M8		10	
9	A000-020003	GRAPHITE SEAL BUSHINGII	1			1	
10	A000-020500	CLAMP ASSY 1	1			1	
11	6FIV-021200-9000	REAR MUFFLER BODY ASSY	1			1	
12	30006-060012810	BOLT	1	M6×12		10	30006-060012870
13	6FIV-0221100-7100-22	INNER HEX SCREW M6×14	2			1	
14	6FIV-021105-7100-H1	DECO COVER 1	1			1	
15	6FIV-021106-7100-H1	DECO COVER 2	1			1	

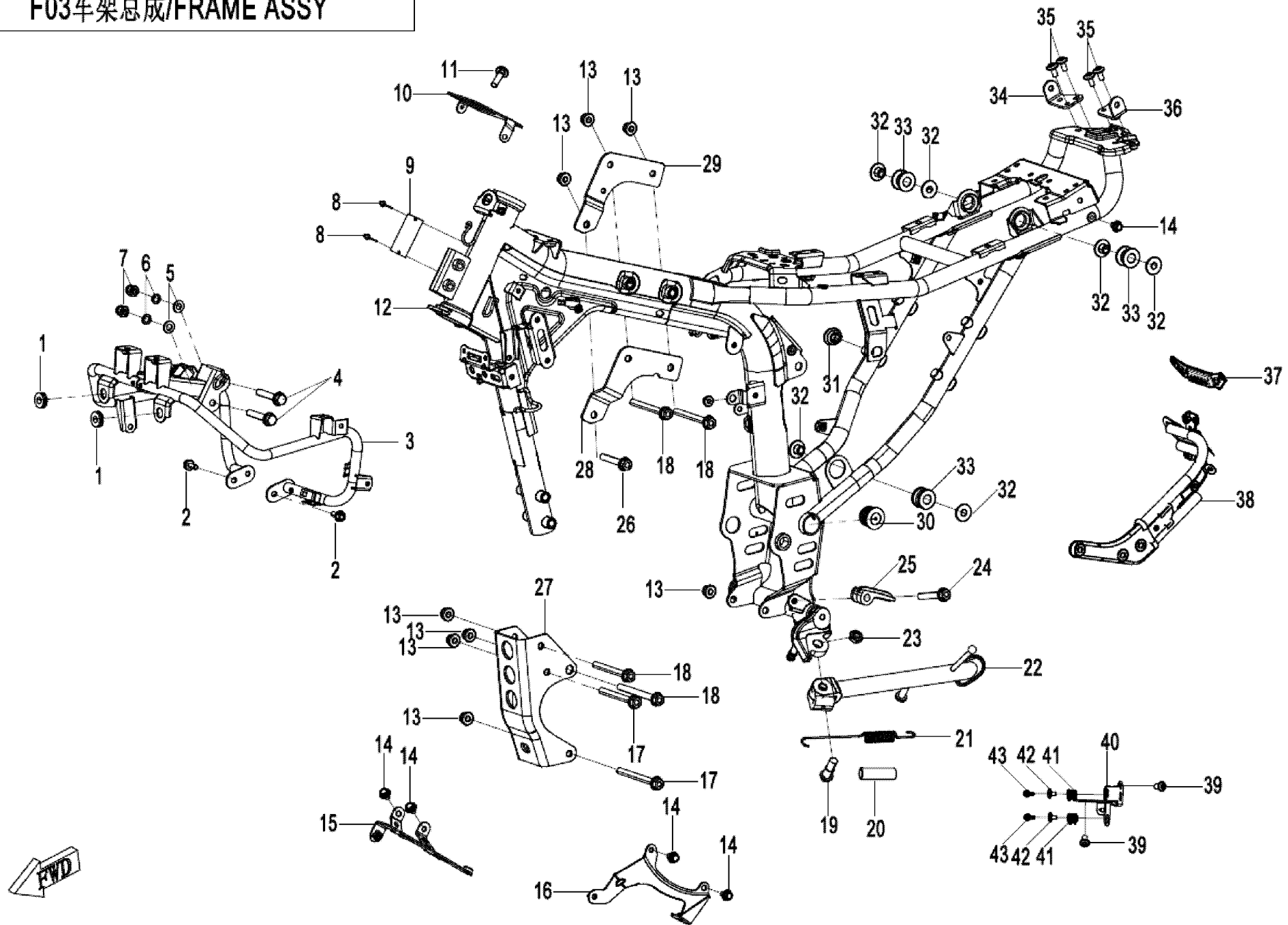
F02 消声器总成/MUFFLER COMP



F03 车架 FRAME

Item No.	Parts Number	Parts Name(EN)	Qty	Specification	Remark(s)	MOQ	Alternative Parts
1	9010-160101	HEADLIGHT RUBBER DAMPER	2			10	
2	30006-060016810	BOLT	2	M6×16		10	
3	6FIV-030400-7101	FRONT BRACKET ASSY	1			1	
4	30006-080045810	BOLT	2	45@COLOR ZINC TRIVALENT CHROM		10	
5	30303-080112	WASHER	2	3@COLOR ZINC TRIVALENT CHROMIU		6	
6	30306-080112	WASHER	2	φ8		10	
7	30206-080510	NUT M8	2	M8		6	
8	30902-0400820	RIVET	2	φ4×8		6	30902-0401320
9	6FIV-190011-5000	VIN PLATE	1			1	6FIV-190011-5001
9	6FIV-190011-5001	VIN PLATE	1			1	
10	6FIV-030001-7100	DASHBOARD BRACKET	1			1	
11	30102-080016810	INNER HEX SCREW	1	M8x16		6	
12	6FIV-031000-7101-01	FRAME ASSY	1			1	6FIV-031000-7102-01
13	30204-080810	LOCK NUT	8	M8		10	
14	6WWW-046702-5000	INNER HEX SCREW M6x12	5			10	6WWW-046802-5000
15	6FIV-030020-7100	ENGINE RH GUARD BRACKET	1			1	
16	6FIV-030010-7100	ENGINE LH GUARD BRACKET	1			1	
17	30006-080085810	BOLT	2	GB/T5789 M8×85		6	
18	30006-080075810	BOLT	4	M8×75		6	
19	A000-030006	SIDE BRACKET BOLT	1			10	
20	A000-030004	SPRING COLLAR, SIDE STAND	1			1	6L30-030071-10000
21	6KMV-030060-C000	SIDE STAND SPRING ASSY	1			1	
22	6FIV-030600-7101	SIDE STAND ASSY	1			1	
23	30208-102010	NUT	1	M10×1.25		10	
24	30006-060035810	BOLT	1	M6×35		6	
25	6KJ0-030510	CHAIN GUARD ASSY	1			1	
26	30006-080050810	BOLT	1	M8×50		1	
27	5280-030004-1000	ENGINE FRONT SUSPENSION PLATE	1	MATTE BLACK		1	
28	6FI2-030002	ENGINE LH UPPER BRACKET	1	ELECTROPHORESIS BLACK		1	
29	6FIV-030050-7100	ENGINE UPPER RH BRACKET	1			1	
30	6KJ0-030503	RUBBER PLUG	2			1	
31	8080-040064	FRONT FENDER DAMPER	1			1	
32	6WWW-020002-5001	BUSHING, MUFFLER BODY	6			1	
33	6WWW-020003-5000	RUBBER SLEEVE, MUFFLER BODY	3			1	
34	6FIV-030040-7100	REAR SEAT RH BRACKET	1			1	
35	6WWW-046802-5000	INNER HEX SCREW M6x16	4			10	
36	6FIV-030030-7100	REAR SEAT LH BRACKET	1			1	
37	6FIV-030009-7100	REAR LICENSE BRACKET	1			1	
38	6FIV-030300-7100	REAR FENDER ASSY	1			1	
39	30006-060010810	BOLT	4	M6×10		10	
40	6FIV-030002-7000	ABS BRACKET	1		ABS	1	
41	6WWW-030019-5000	RUBBER BUSHING	2			2	
42	6AQV-021002-1000	BUSHING	2			1	
43	30006-060022810	BOLT	2	M6×22		6	

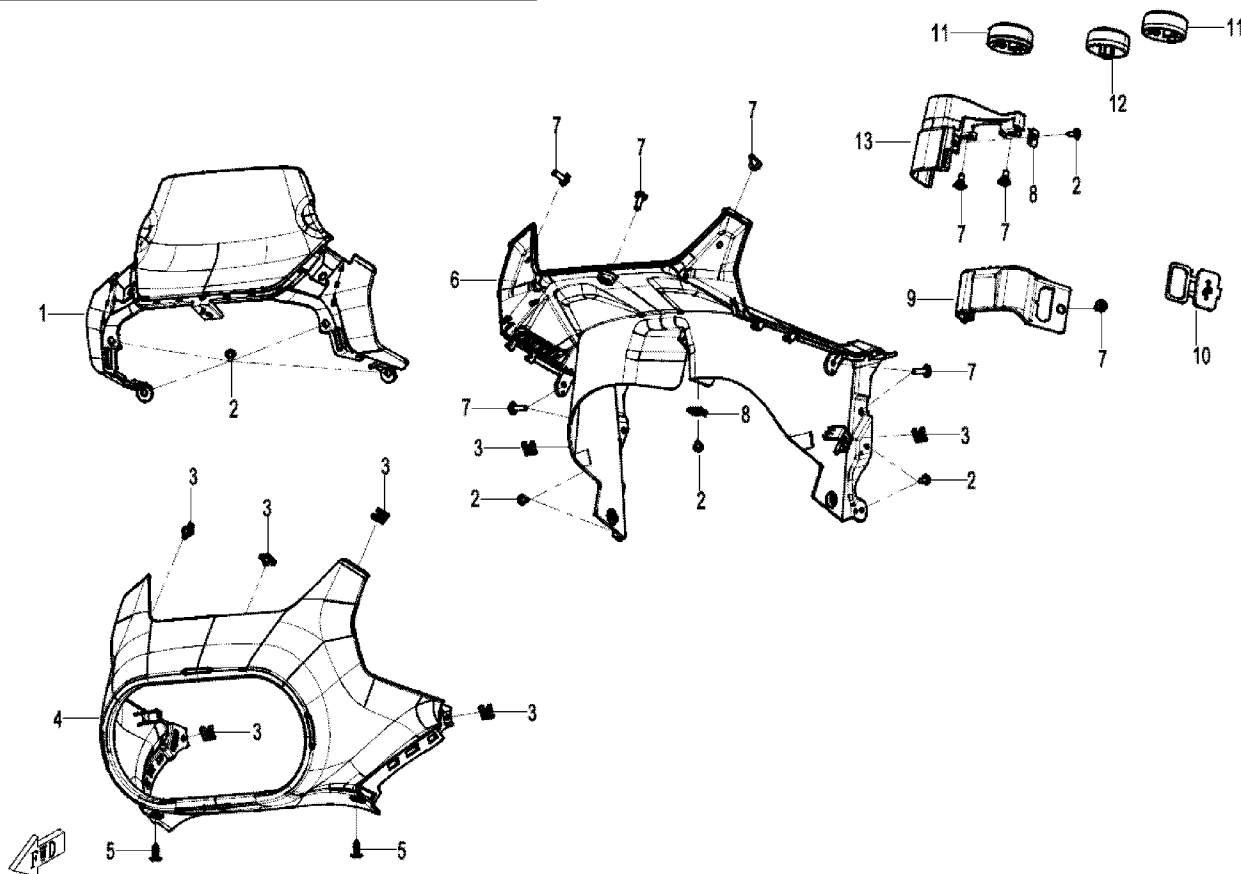
# F03车架总成/FRAME ASSY



## F04-1 塑料件I PLASTICS 1

Item No.	Parts Number	Parts Name(EN)	Qty	Specification	Remark(s)	MOQ	Alternative Parts
1	6FIV-041603-7100	WINDSHIELD	1			1	
2	30110-421130010	SELF-TAPPING SCREW	11	x13@COLOR ZINC TRIVALENT CHRO		10	30110-420130070
3	6KM#-040081-8000-M1	NUT CLIP M5	7			10	
4	6FIV-041601-7100-0VE00	HEADLIGHT PANEL	1	NEBULA WHITE		1	
4	6FIV-041601-7100-0RM00	HEADLIGHT PANEL	1	MAGMA RED		1	
4	6FIV-041601-7100-0GB00	HEADLIGHT PANEL	1	SPRUCE GREEN		1	
5	8080-041130	EXPANSION RIVET ASSY	2			10	
6	6FIV-041602-7100	HEADLIGHT PANEL	1			1	6FIV-041602-7101
6	6FIV-041602-7101	HEADLIGHT BACKBOARD	1	"		1	
7	6WWW-047102-5000	INNER HEX SCREW M5x14	8			10	
8	8010-000002	CLAMP	2	ST4.2		6	F07V-040002-1000
9	6FIV-040104-7100	DASHBOARD LOWER GUARD	1			1	
10	6AQV-041117-1002	USB PLUG COVER	1			1	
11	6FIV-040511-7100	FRONT SHOCK ABSORBER UPPER COVER	2			1	
12	6FIV-040512-7100	PIPE UPPER COVER	1			1	
13	6FIV-040101-7100	IGNITION LOCK GUARD	1			1	

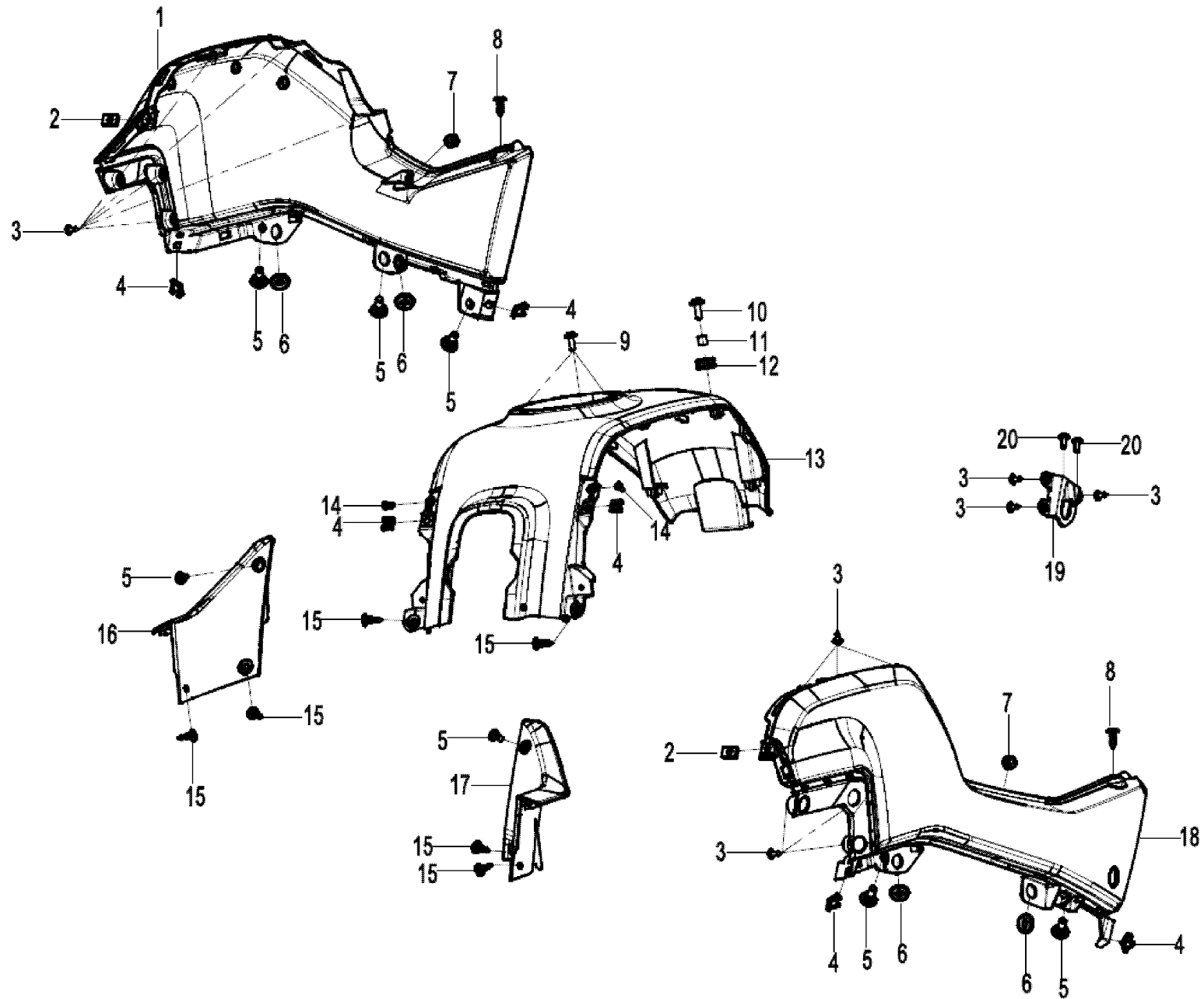
### F04-1 塑料件 I / PLASTICS I



F04-2 塑料件II PLASTICS 2

Item No.	Parts Number	Parts Name(EN)	Qty	Specification	Remark(s)	MOQ	Alternative Parts
1	6FIV-041203-7100-0VY00	FUEL TANK RH PANEL	1	NEBULA WHITE+LAVA REDISH PINK		1	6FIV-041203-7101-0VY00
1	6FIV-041203-7100-0VE00	FUEL TANK RH PANEL	1	NEBULA WHITE		1	6FIV-041203-7101-0VE00
1	6FIV-041203-7100-0GB00	FUEL TANK RH PANEL	1	SPRUCE GREEN		1	6FIV-041203-7101-0GB00
1	6FIV-041203-7101-0VE00	FUEL TANK RH PANEL	1	NEBULA WHITE		1	
1	6FIV-041203-7101-0VY00	FUEL TANK RH PANEL	1	NEBULA WHITE+LAVA REDISH PINK		1	
1	6FIV-041203-7101-0GB00	FUEL TANK RH PANEL	1	SPRUCE GREEN		1	
2	8010-000002	CLAMP	2	ST4.2		6	F07V-040002-1000
3	30110-421130010	SELF-TAPPING SCREW	15	4x13@COLOR ZINC TRIVALENT CHRO		10	30110-420130070
4	6KM#-040081-8000-M1	NUT CLIP M5	6			10	
5	6WWW-046502-5000	STEPPED SCREW M5	7			10	5BWV-040017-5000
6	6FIV-040401-7100	MUSHROOM HEAD RUBBER BOOT	4	SLOTTED HOLE IN PLASTIC PART		1	
7	6WWW-045801-5000	RUBBER	2			2	
8	9060-040310	CLAMP ASSY	2			10	
9	6WWW-047102-5000	INNER HEX SCREW M5x14	3			10	
10	6WWW-046802-5000	INNER HEX SCREW M6x16	1			10	
11	6090-040302	CUSHION SLEEVE	1			10	
12	6090-040303	BUSHING	1			10	
13	6FIV-041201-7103-0GB00	FUEL TANK UPPER PANEL	1	MOSS GREEN		1	
13	6FIV-041201-7103-0RM00	FUEL TANK UPPER PANEL	1	MAGMA RED		1	
13	6FIV-041201-7103-0VE00	FUEL TANK UPPER PANEL	1	NEBULA WHITE		1	
13	6FIV-041201-7103-0BU00	FUEL TANK UPPER PANEL	1	JET BLACK		1	
14	30110-420095010	SELF-TAPPING SCREW	2	ST4.2x9.5@COLOR ZINC-PLATED		10	
15	8080-041130	EXPANSION RIVET ASSY	6			10	
16	6FIV-041205-7100	FUEL TANK FRONT RH PANEL	1			1	
17	6FIV-041204-7100	FUEL TANK FRONT LH PANEL	1			1	
18	6FIV-041202-7100-0VY00	FUEL TANK LH PANEL	1	NEBULA WHITE+LAVA REDISH PINK		1	6FIV-041202-7101-0VY00
18	6FIV-041202-7100-0VE00	FUEL TANK LH PANEL	1	NEBULA WHITE		1	6FIV-041202-7101-0VE00
18	6FIV-041202-7100-0GB00	FUEL TANK LH PANEL	1	SPRUCE GREEN		1	6FIV-041202-7101-0GB00
18	6FIV-041202-7101-0VY00	FUEL TANK LH PANEL	1	NEBULA WHITE+LAVA REDISH PINK		1	
18	6FIV-041202-7101-0VE00	FUEL TANK LH PANEL	1	NEBULA WHITE		1	
18	6FIV-041202-7101-0GB00	FUEL TANK LH PANEL	1	SPRUCE GREEN		1	
19	6FIV-040102-7100	SEAT LOCK BRACKET	1			1	
20	30105-050012410	SCREW	2	M5x12		1	

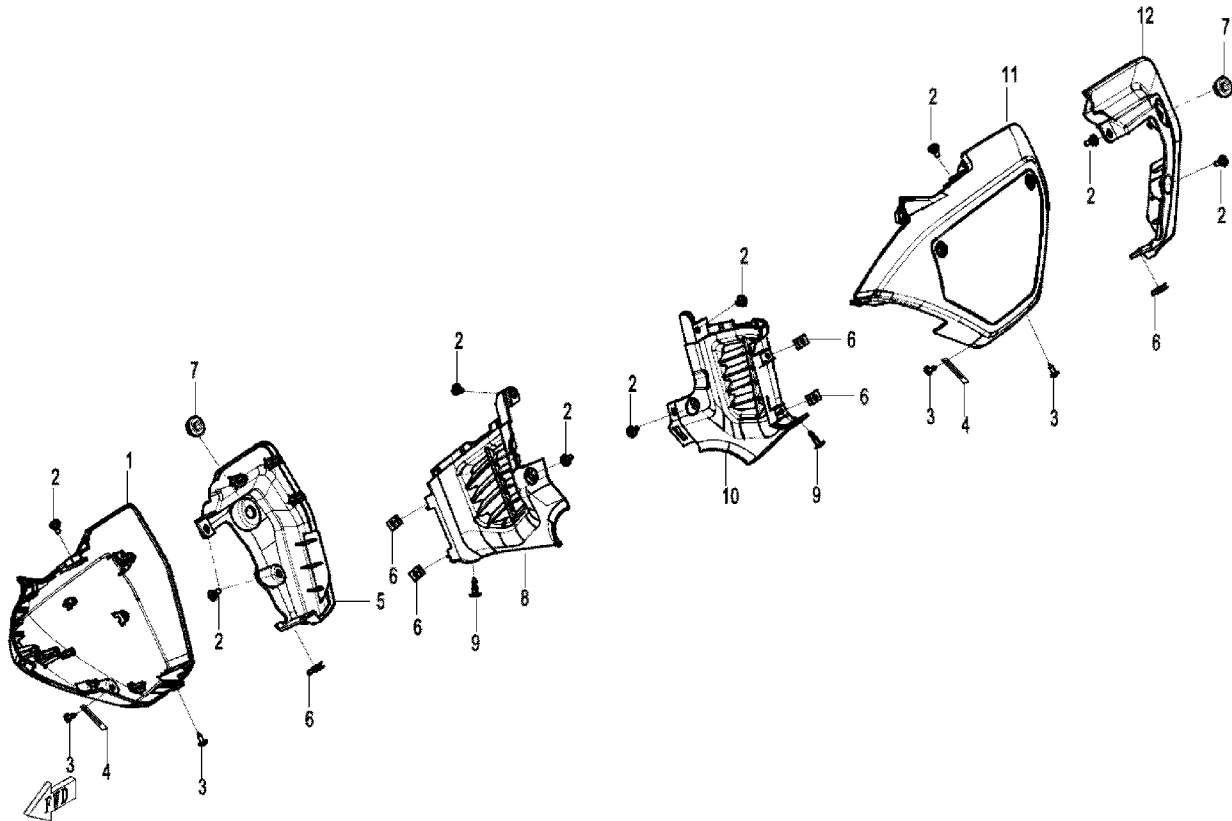
# F04-2塑料件 II / PLASTICS II



### F04-3 塑料件III PLASTICS 3

Item No.	Parts Number	Parts Name(EN)	Qty	Specification	Remark(s)	MOQ	Alternative Parts
1	6FIV-040302-7100-OVE00	FRONT RH PANEL	1	NEBULA WHITE		1	
1	6FIV-040302-7100-0GB00	FRONT RH PANEL	1	SPRUCE GREEN		1	
2	6WWW-046502-5000	STEPPED SCREW M5	10			10	5BWV-040017-5000
3	30110-421130010	SELF-TAPPING SCREW	4	x13@COLOR ZINC TRIVALENT CHRO		10	30110-420130070
4	0180-014010	WIRE CLAMP	2			6	6WWW-030080-8000
5	6FIV-040308-7100-0BU00	FRONT RH PANEL DECO PART	1	JET BLACK		1	
5	6FIV-040308-7100-0RM00	FRONT RH PANEL DECO PART	1	MAGMA RED		1	
5	6FIV-040308-7100-0G700	FRONT RH PANEL DECO PART	1	LEMON GREEN		1	
6	8010-000002	CLAMP	6	ST4.2		6	F07V-040002-1000
7	6FIV-040401-7100	MUSHROOM HEAD RUBBER BOOT	2	SLOTTED HOLE IN PLASTIC PART		1	
8	6FIV-040310-7102	PIPE LOWER RH PANEL	1			1	
9	8080-041130	EXPANSION RIVET ASSY	2			10	
10	6FIV-040309-7102	PIPE LOWER LH PLATE	1			1	
11	6FIV-040301-7100-OVE00	FRONT LH PANEL	1	NEBULA WHITE		1	
11	6FIV-040301-7100-0GB00	FRONT LH PANEL	1	SPRUCE GREEN		1	
12	6FIV-040307-7100-0RM00	LH FRONT PANEL DECO PART	1	MAGMA RED		1	
12	6FIV-040307-7100-0G700	FRONT LH PANEL DECO PART	1	LEMON GREEN		1	
12	6FIV-040307-7100-0BU00	FRONT LH DECO PART	1	JET BLACK		1	

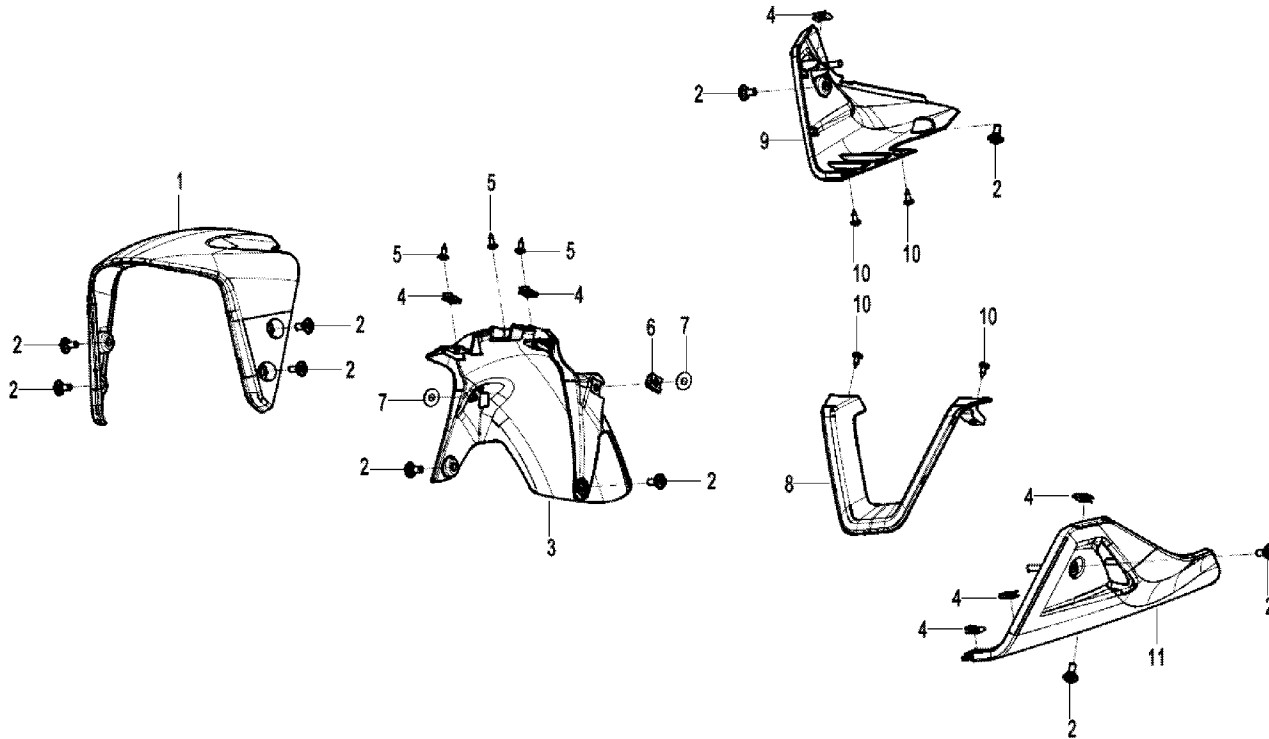
#### F04-3 塑料件III/PLASTICS III



F04-4 塑料件IV PLASTICS 4

Item No.	Parts Number	Parts Name(EN)	Qty	Specification	Remark(s)	MOQ	Alternative Parts
1	6FIV-040501-7100-0BU00	FRONT FENDER FRONT PART	1	JET BLACK		1	
1	6FIV-040501-7100-0VE00	FRONT FENDER FRONT PART	1	NEBULA WHITE		1	
2	6WWW-046602-5000	INNER HEX STEPPED SCREW M6x14	10			10	
3	6FIV-040502-7100	FRONT FENDER REAR PART	1			1	
4	8010-000002	CLAMP	6	ST4.2		6	F07V-040002-1000
5	30110-421130010	SELF-TAPPING SCREW	3	3x13@COLOR ZINC TRIVALENT CHRO		10	30110-420130070
6	8030-040800-00001	NUT CLIP M6	1	M6		10	
7	30305-060112	WASHER	2	5@COLOR ZINC TRIVALENT CHROMIUM		6	
8	6FIV-040001-7100	ENGINE FRONT PANEL	1			1	
9	6FIV-040003-7100-0VE00	ENGINE RH LOWER PANEL	1	NEBULA WHITE		1	
9	6FIV-040003-7100-0GB00	ENGINE RH LOWER PANEL	1	SPRUCE GREEN		1	
9	6FIV-040003-7100-0BU00	ENGINE RH LOWER PANEL	1	JET BLACK		1	
10	30110-420160070	SELF-TAPPING SCREW	4	ST4.2x16		10	
11	6FIV-040002-7100-0VE00	ENGINE LH LOWER PANEL	1	NEBULA WHITE		1	
11	6FIV-040002-7100-0GB00	ENGINE LH LOWER PANEL	1	SPRUCE GREEN		1	
11	6FIV-040002-7100-0BU00	ENGINE LH LOWER PANEL	1	JET BLACK		1	

F04-4 塑料件IV/PLASTICS IV

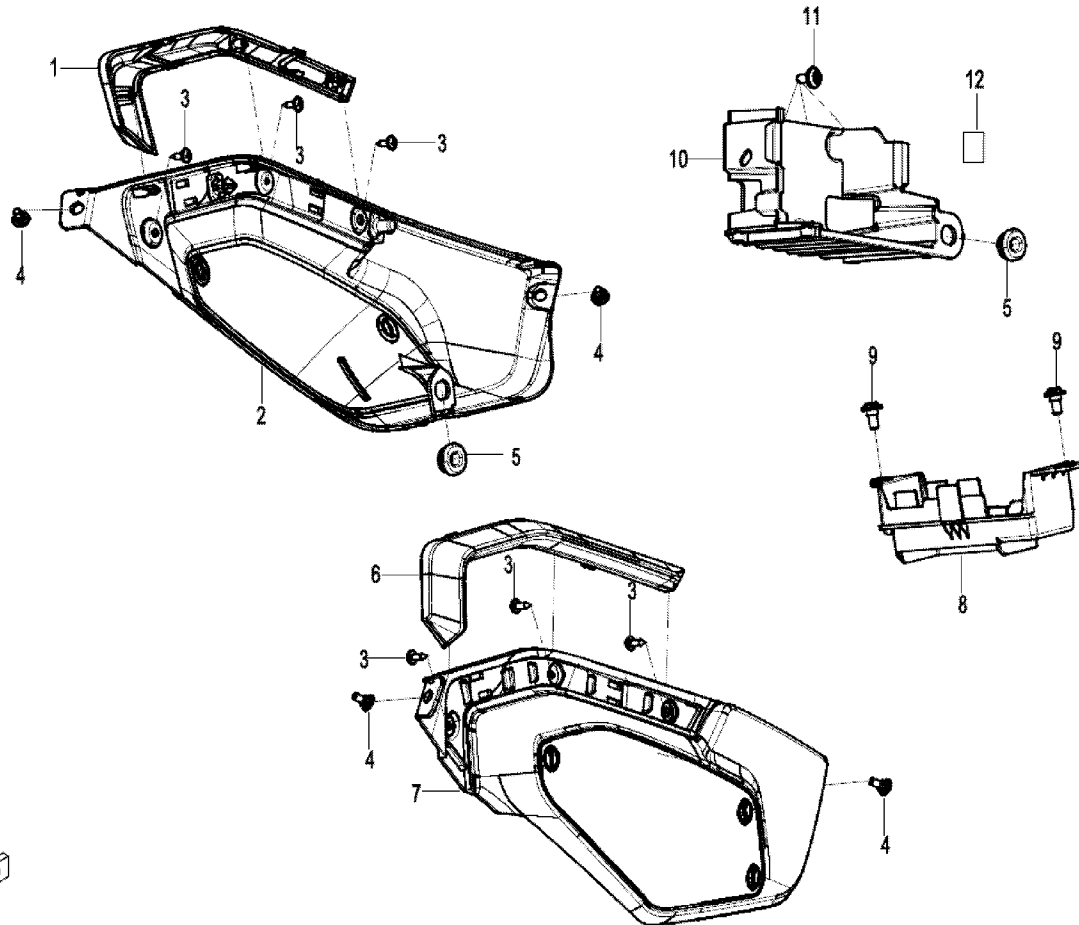




## F04-6 塑料件VI PLASTICS 6

Item No.	Parts Number	Parts Name(EN)	Qty	Specification	Remark(s)	MOQ	Alternative Parts
1	6FIV-040314-7100-0VR00	RH SIDE COVER DECO PART	1	ELECTRO SILVER		1	
2	6FIV-040312-7100	RH SIDE COVER	1			1	6FIV-040312-7101
2	6FIV-040312-7101	RH SIDE COVER	1			1	
3	30110-421130010	SELF-TAPPING SCREW	6	x13@COLOR ZINC TRIVALENT CHRO		10	30110-420130070
4	6WWW-046502-5000	STEPPED SCREW M5	4			10	5BWW-040017-5000
5	6FIV-040401-7100	MUSHROOM HEAD RUBBER BOOT	2	SLOTTED HOLE IN PLASTIC PART		1	
6	6FIV-040313-7100-0VR00	SIDE COVER DECO PART	1	ELECTRO SILVER		1	
7	6FIV-040311-7100	LH SIDE COVER	1			1	6FIV-040311-7101
7	6FIV-040311-7101	LH SIDE COVER	1			1	
8	6FIV-041501-7100	ELECTRICAL BOX	1			1	
9	6WWW-046602-5000	INNER HEX STEPPED SCREW M6x14	2			10	
10	6FIV-041502-7100	BATTERY BOX	1			1	
11	6WWW-046702-5000	INNER HEX SCREW M6x12	3			10	6WWW-046802-5000
12	9010-120008	SPONGE PAD, FUEL TANK	5			10	

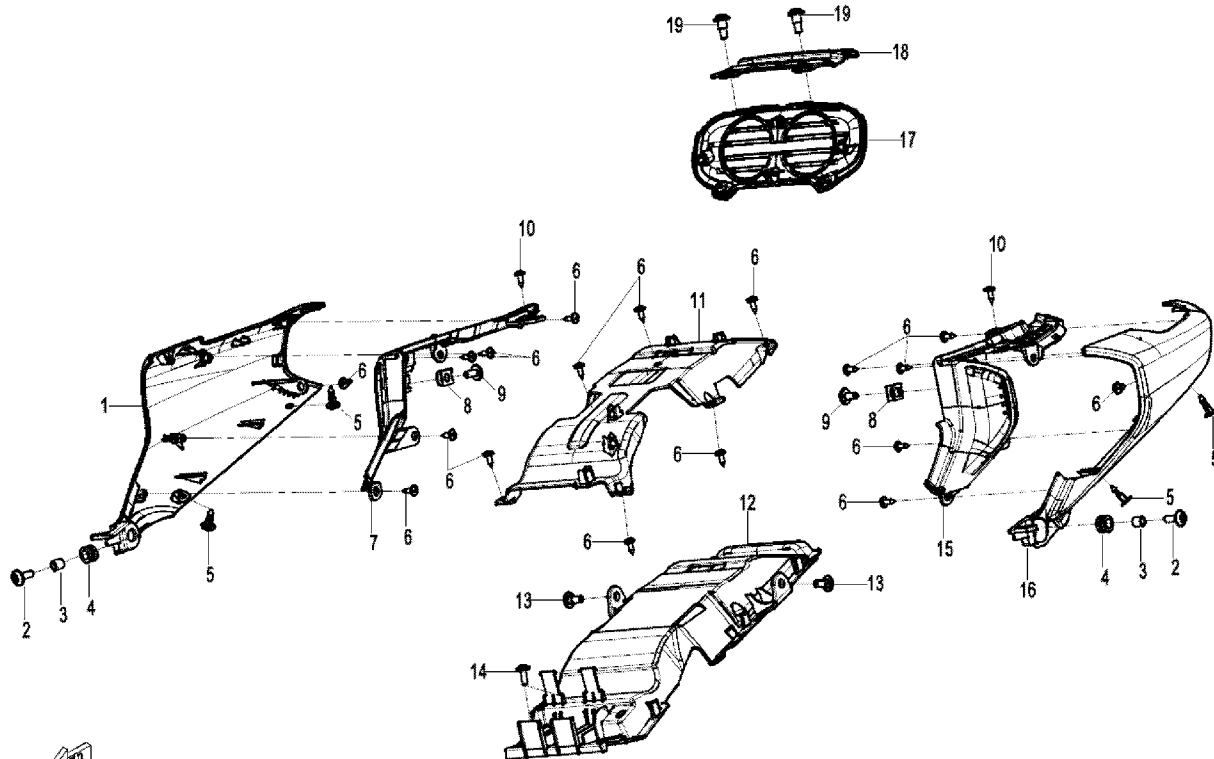
### F04-6 塑料件VI/PLASTICS VI



## F04-7 塑料件VII PLASTICS 7

Item No.	Parts Number	Parts Name(EN)	Qty	Specification	Remark(s)	MOQ	Alternative Parts
1	6FIV-041614-7100-0VE00	TAIL LIGHT RH PANEL	1	NEBULA WHITE		1	
2	6WWW-046802-5000	INNER HEX SCREW M6x16	2			10	
3	6090-040303	BUSHING	2			10	
4	6KM#-040302-8000	CUSHION SLEEVE	2			1	
5	8080-041130	EXPANSION RIVET ASSY	4			10	
6	30110-421130010	SELF-TAPPING SCREW	18	x13@COLOR ZINC TRIVALENT CHRO		10	30110-420130070
7	6FIV-041617-7101	TAIL LIGHT RH PANEL DECO PARTS	1			1	
8	8030-040800-00001	NUT CLIP M6	2	M6		10	
9	6WWW-046702-5000	INNER HEX SCREW M6x12	2			10	6WWW-046802-5000
10	30110-420095010	SELF-TAPPING SCREW	2	ST4.2x9.5@COLOR ZINC-PLATED		10	
11	6FIV-040321-7100	SUB-FRAME SKID PLATE	1			1	
12	6FIV-040322-7100	SUB-FRAME HEAT INSULATION PLATE	1			1	
13	6WWW-046602-5000	INNER HEX STEPPED SCREW M6x14	2			10	
14	6WWW-047102-5000	INNER HEX SCREW M5x14	2			10	
15	6FIV-041616-7101	TAIL LIGHT LH PANEL DECO PARTS	1			1	
16	6FIV-041613-7100-0VE00	TAIL LIGHT LH PANEL	1	NEBULA WHITE		1	
17	6FIV-041611-7100	TAIL LIGHT GUARD	1			1	
18	6FIV-041615-7100-0VE00	TAIL LIGHT UPPER PANEL	1	NEBULA WHITE		1	
19	6NQ#-000202-6001	CONVEX BOLT	2			6	

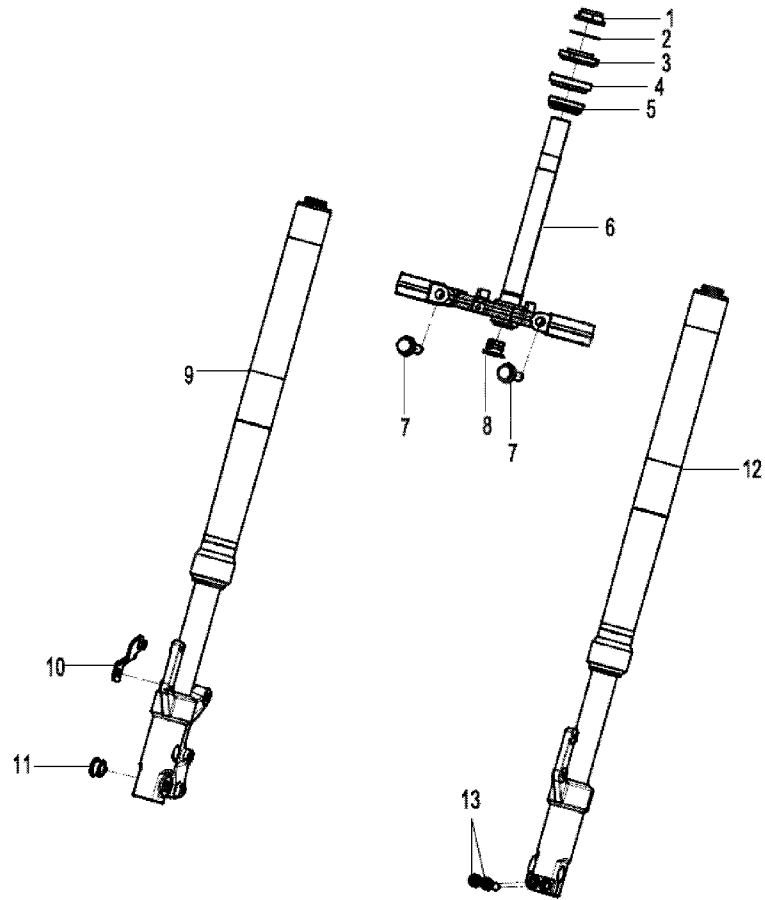
### F04-7 塑料件 VII / PLASTICS VII



## F05 前悬挂 FRONT SUSPENSION

Item No.	Parts Number	Parts Name(EN)	Qty	Specification	Remark(s)	MOQ	Alternative Parts
1	0180-062107-00001	BEVEL GEAR LOCK NUT	1			1	
2	8030-050006	UPPER TRIPLE CLAMP GASKET	1			1	
3	5280-050004	LOCK NUT	1			1	
4	5280-050100	UPPER STEERING BEARING ASSY	1			1	5280-050101+5280-050102+5280-050110
5	5280-050200	LOWER STEERING BEARING ASSY	1			1	5280-050102+5280-050110+5280-050202
6	6FIV-050300-7000	NT FORK PIPE LOWER TRIPLE CLAMP	1			1	
7	30006-102035810	BOLT	2	M10×1.25×35		10	
8	6FIV-050011-7000	RUBBER PLUG	1			1	
9	6FIV-050200-7101-M1	FRONT RH SHOCK ABSORBER	1			1	
10	6FIV-050030-7100	FRONT FENDER REAR RH BRACKET ASSY	1			1	
11	6FIV-050401-7000	RUBBER PLUG	1		NO ABS	2	
12	6FIV-050100-7101-M1	FRONT LH SHOCK ABSORBER	1			1	
13	30102-080030810	SCREW	2	M8×30		1	

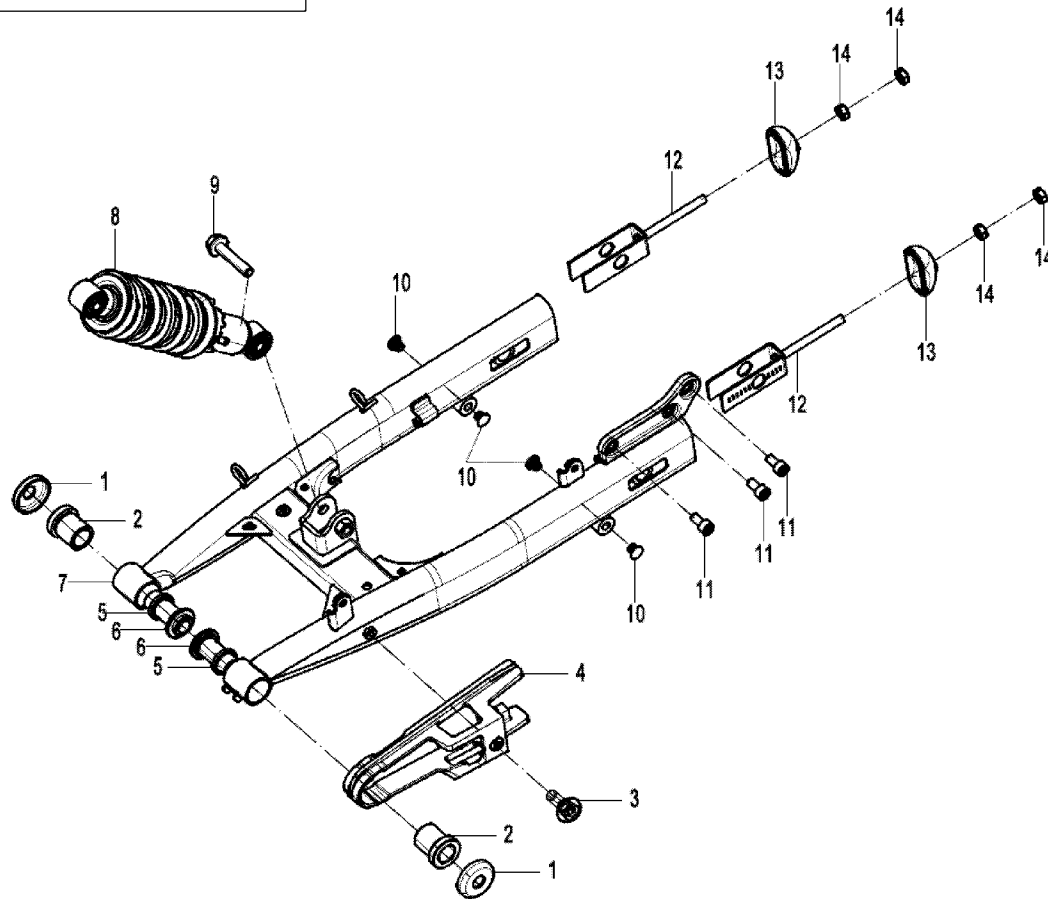
### F05 前悬挂/FRONT SUSPENSION



## F06 后悬架 REAR SUSPENSION

Item No.	Parts Number	Parts Name(EN)	Qty	Specification	Remark(s)	MOQ	Alternative Parts
1	6KMV-060010-8001	REAR SWING ARM DUST CAP 1	2			1	
2	6100-060008	REAR SWING ARM OUTER BUSHING	2			1	
3	6WWW-046602-5000	INNER HEX STEPPED SCREW M6x14	1			10	
4	6FIV-060001-7001	CHAIN GUARD	1			1	
5	6090-060005	ANTI-DUST RING	2			1	
6	6KJ0-060004-00001	REAR FORK RH INNER BUSHING	2			1	
7	6FIV-060300-7000	REAR FORK ASSY	1			1	6FIV-060300-7001
8	6FIV-060100-7100-M1	REAR SHOCK ABSORBER	1			1	
9	30006-102050810	BOLT	1	M10x1.25x50		10	
10	6KM#-100002-8000	CLUTCH LEVER PLUG	4			1	
11	30102-080016810	INNER HEX SCREW	3	M8x16		6	
12	6FIV-060020-7000	CHAIN ADJUSTER ASSY	2			1	
13	A000-060201-0BB0	CHAIN ADJUSTER GUARD	2	PLASTIC POWDER		1	
14	30200-080810	NUT	4	M8		1	

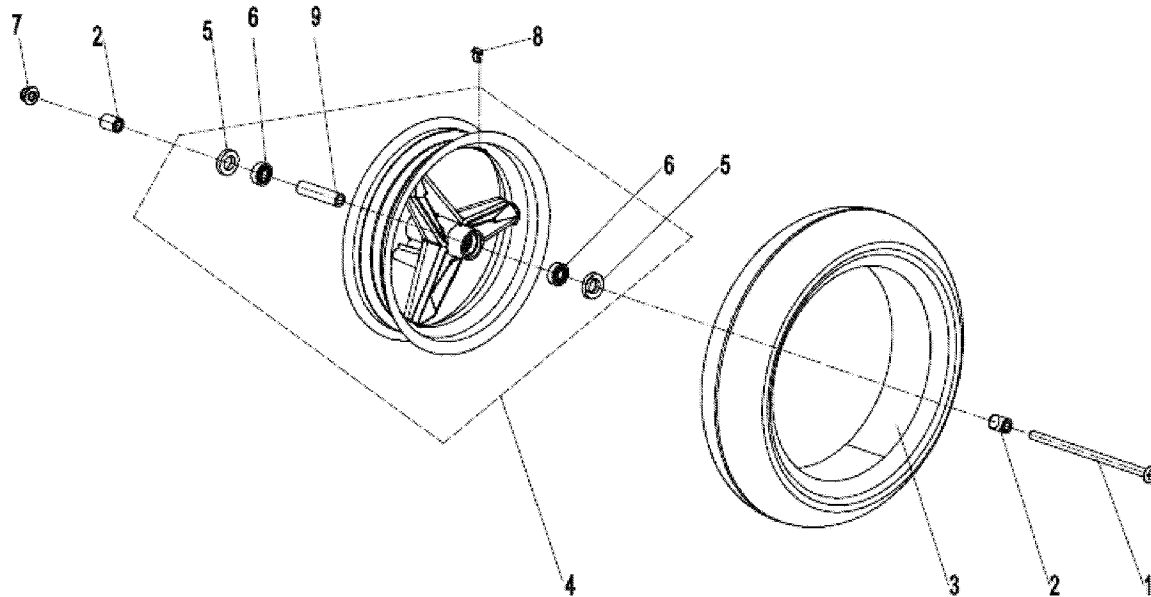
后悬挂总成/REAR SUSPENSION ASSY



## F07 前轮 FRONT WHEEL

Item No.	Parts Number	Parts Name(EN)	Qty	Specification	Remark(s)	MOQ	Alternative Parts
01	6FIV-070001-7100	FRONT WHEEL SHAFT	1			1	
02	6KJ0-070002	COLLAR, FRONT WHEEL AXLE	2			1	
03	30705-1213	TIRE	1	FRONT TIRE		1	
04	6FIV-070100-7100-0B200	FRONT RIM ASSY	1			1	
05	6KJV-070103-8000	OIL SEAL	1			1	
06	30400-01280	BEARING	2	6201-2RS		1	
07	30204-122810	NUT	1	M12×1.25		10	
08	5190-070030-1000	VALVE, INFLATION	1			1	
09	6FIV-070102-6000	MIDDLE BUSHING, FRONT RIM	1			1	

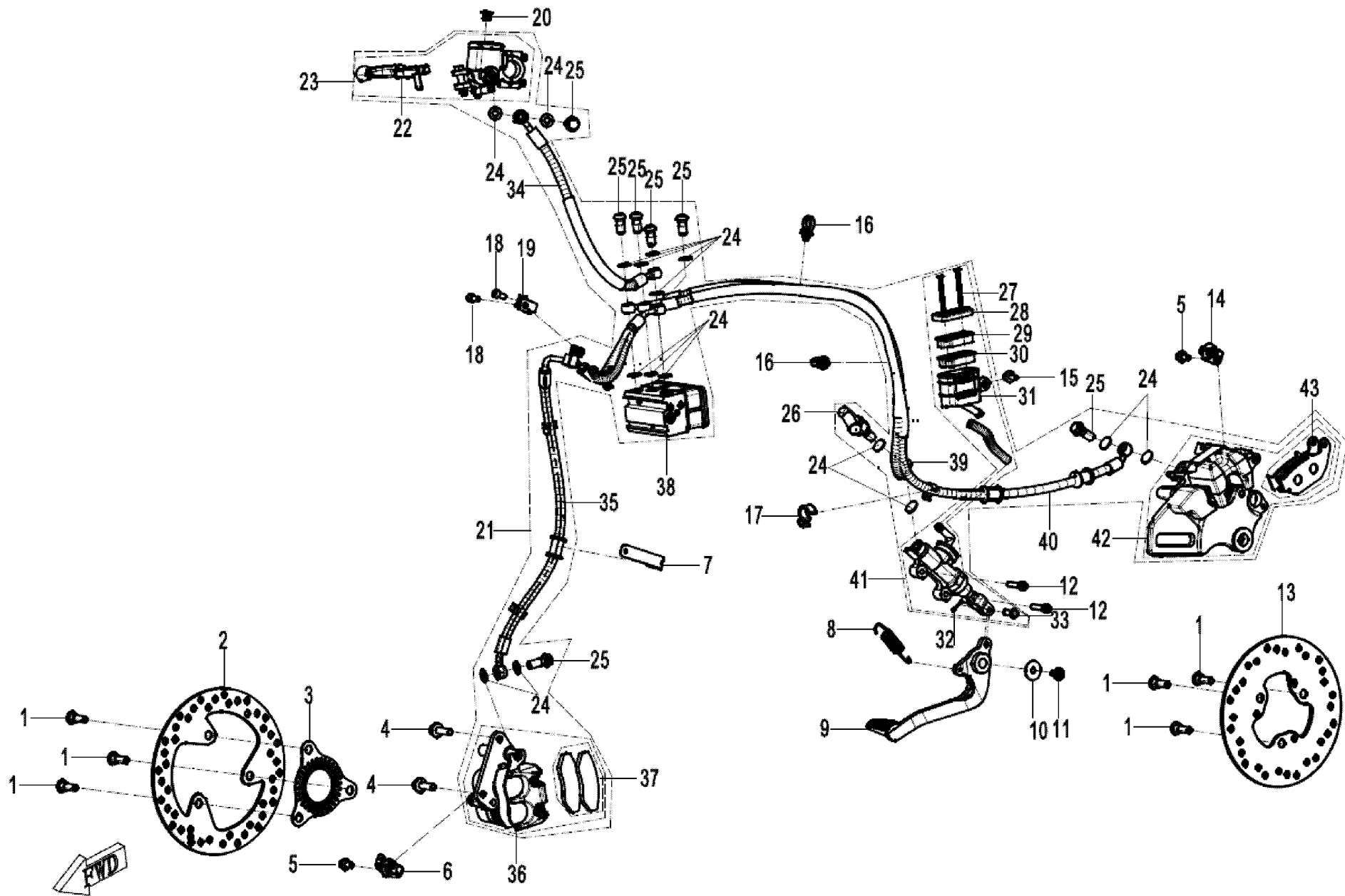
### F07 前轮 FRONT WHEEL



F08-A MAB液压制动总成 MAB BRAKE ASSY

Item No.	Parts Number	Parts Name(EN)	Qty	Specification	Remark(s)	MOQ	Alternative Parts
1	8010-080118	BRAKE DISC BOLT	6			10	
2	6FI3-080001	FRONT BRAKE DISC	1			1	
3	6FIV-080003-7000	FRONT GEAR RING	1			1	
4	30006-080025870	BOLTM8x25	2	BLACK ZINC-PLATED		10	
5	30006-060012870	BOLTM6x12	2	BLACK ZINC-PLATED		10	
6	6FIV-080004-7000-M1	SPEED SENSOR	1			1	
7	6FIV-080006-7100	BRAKE OIL PIPE CLIP II	1			1	
8	6FI3-080003	RETURN SPRING, REAR BRAKE	1			1	
9	6FIV-080300-7100	REAR BRAKE PEDAL ASSY	1			1	
10	A000-080006-10000	GASKET 1	1			1	
11	6WWW-046702-5000	INNER HEX SCREW M6x12	1			10	6WWW-046802-5000
12	30102-060025810	SCREW	2	M6x25		10	
13	6FIV-080010-7000	REAR BRAKE DISC ASSY	1			1	
14	6NTV-080004-4101-M1	SPEED SENSOR	1			1	
15	30006-060012810	BOLT	1	M6x12		10	30006-060012870
16	801F-100101	TIE BAND	2			10	
17	EAEV-080006-1000	CLIP, BRAKE HOSE	6			1	
18	30102-060012810	SCREW	2	M6x12		10	
19	6FIV-080007-7000	BRAKE OIL PIPE BRACKET	1			1	
20	6KM#-100002-8000	CLUTCH LEVER PLUG	1			1	
21	6FIV-081000-7002-M1	MAB HYDRAULIC BRAKE ASSY	1			1	6FIV-081000-7003-M1
21	6FIV-081000-7003-M1	MAB HYDRAULIC BRAKE ASSY	1	"		1	
22	6KMV-081100-B000-20	BRAKE HANDLE	1			1	
23	6KMV-081100-B100-M1	HAND BRAKE MASTER CYLINDER	1			1	
24	6KM#-081000-8100-20	WASHER	16			1	A000-080102-2000
25	6KM#-080103-8101	PIPE BOLT	7			1	6GU#-081000-6000-23
26	6KMV-081700-3000-M1	HYDRAULIC SWITCH ASSY	1			1	
27	A000-080229-2000	SCREW, FLUID RESERVOIR CAP	2			1	
28	6KM0-091201-20000	FLUID RESERVOIR CAP	1			1	
29	6KM0-091202-20000	FLUID RESERVOIR SEALING LINER	1			1	
30	6KM0-091203-20000	FLUID RESERVOIR SEALING GASKET	1			1	
31	6KM0-091204-20000	RESERVOIR	1			1	
32	30903-0201640	COTTER PIN	1			1	30903-0201610
33	30904-0602240	PIN SHAFT	1			1	
34	6FIV-081010-7000	FLUID INLET PIPE, FRONT BRAKE	1			1	
35	6FIV-081020-7001	FRONT BRAKE FLUID OUTLET HOSE	1			1	
36	6FIV-080120-7100-M1	FRONT BRAKE CALIPER ASSY	1			1	
37	6FIV-080120-71A0-M1	FRONT BRAKE PAD ASSY	1			1	
38	6FIV-081100-7000-M1	MAB EXECUTION UNIT	1			1	
39	6FIV-081030-7000	REAR BRAKE FLUID INLET HOSE	1			1	
40	6FIV-081040-7000	REAR BRAKE FLUID OUTLET HOSE	1			1	
41	6FIV-081200-7000-M1	REAR BRAKE MASTER CYLINDER	1			1	
42	6FIV-080220-7100-M1	REAR BRAKE CALIPER ASSY	1			1	
43	6FIV-080220-71A0-M1	REAR BRAKE PAD ASSY	1			1	

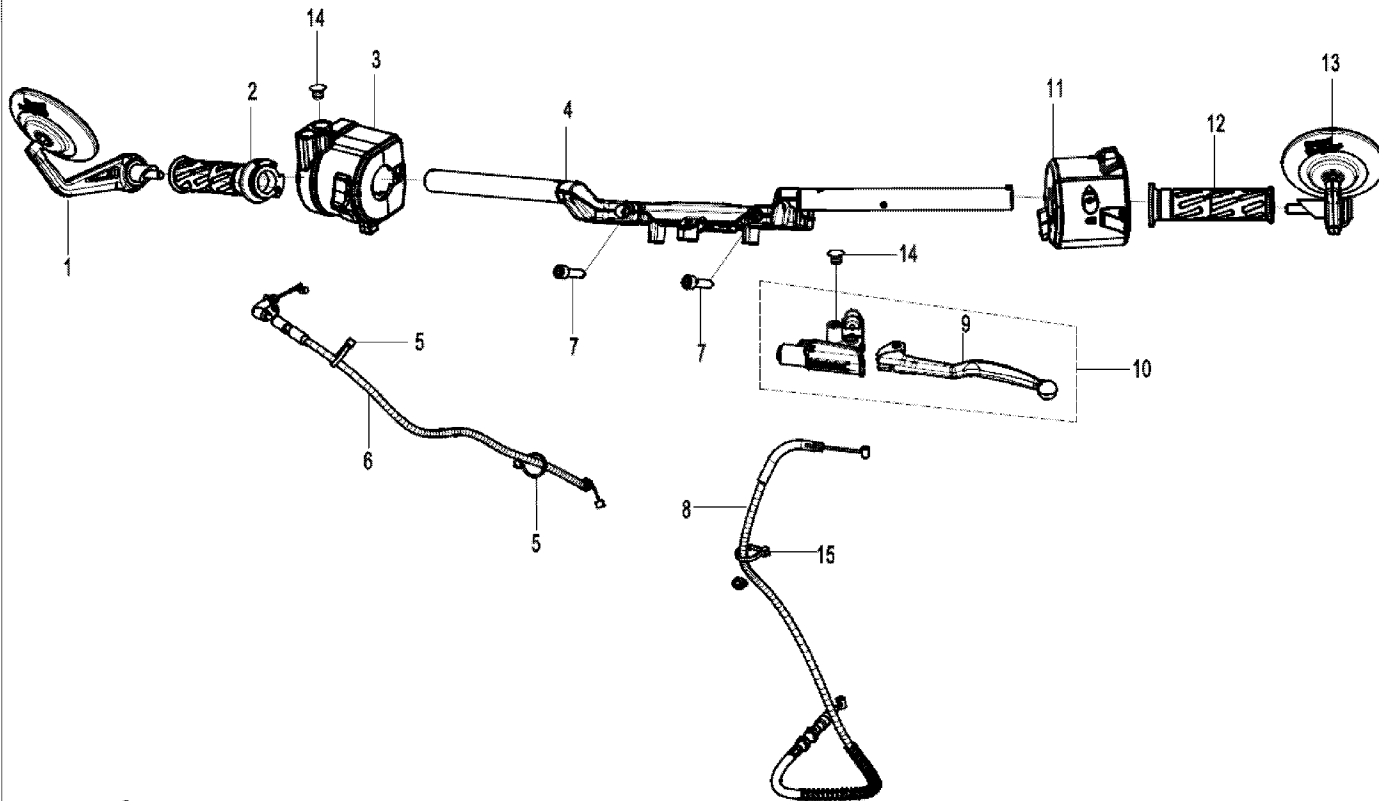
# 液压制动总成 / HYDRAULIC BRAKE ASSY



## F10 转向系统 STEERING SYSTEM

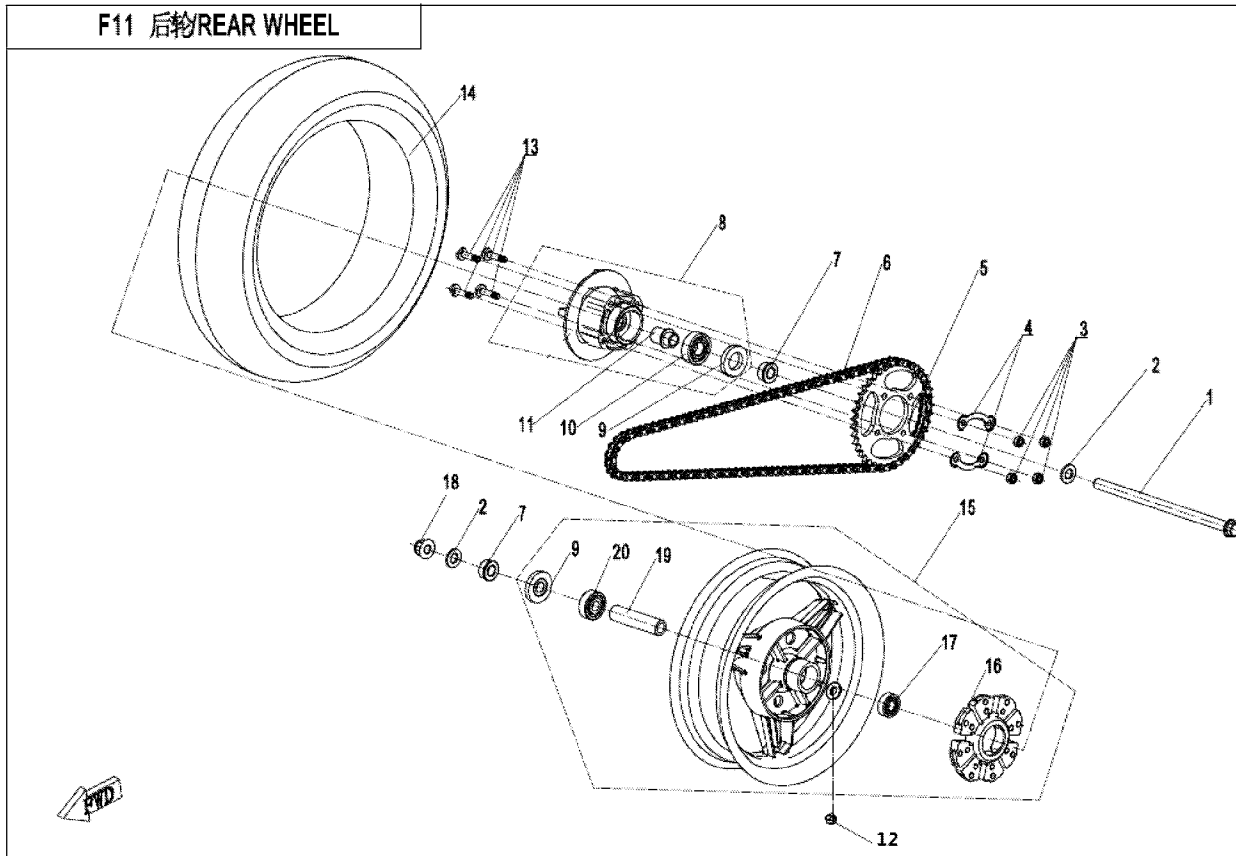
Item No.	Parts Number	Parts Name(EN)	Qty	Specification	Remark(s)	MOQ	Alternative Parts
1	6FIV-200400-7101	RH REARVIEW MIRROR ASSEMBLY	1			1	
2	5280-100020	RH HAND GRIP ASSY	1			1	
3	6FIV-167000-9000	RH HANDLEBAR SWITCH ASSY	1			1	
4	6FIV-100100-7000	PPER TRIPLE CLAMP HANDLEBAR ASS	1			1	
5	6KJ0-100002	CLUTCH PULL BINDING	2			1	
6	6FIV-100400-7100	THROTTLE CABLE	1			1	
7	30102-080025870	INNER HEX SCREW M8×25	2	M8×25		10	
8	6FIV-100600-7100	CLUTCH CABLE	1			1	
9	6FI3-100301	CLUTCH LEVER	1	ABS		1	
10	6FI3-100300-10000	CLUTCH LEVER ASSY	1			1	
11	6FIV-166000-7102	LH HANDLEBAR SWITCH ASSY	1			1	
12	5280-100001	LH HAND GRIP	1			1	
13	6FIV-200300-7101	LH REARVIEW MIRROR ASSEMBLY	1			1	
14	6KM#-100002-8000	CLUTCH LEVER PLUG	2			1	
15	801F-100101	TIE BAND	1			10	

### F10转向机构总成/STEERING SYSTEM



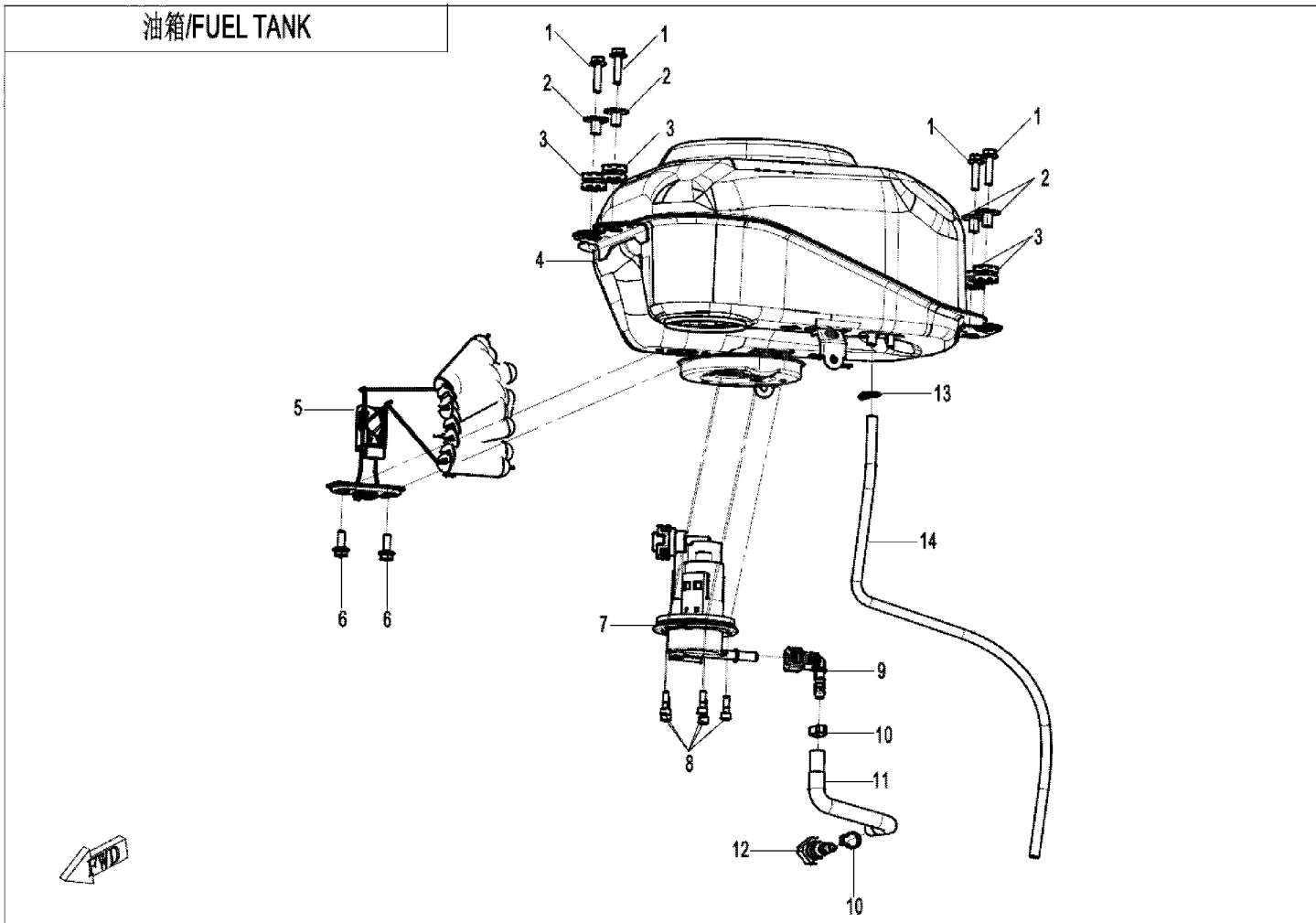
## F11 后轮 REAR WHEEL

Item No.	Parts Number	Parts Name(EN)	Qty	Specification	Remark(s)	MOQ	Alternative Parts
01	6FIV-110001-7100	REAR WHEEL SHAFT	1			1	
02	30306-140112	WASHER	2	φ14		6	
03	30200-080810	NUT	4	M8		1	
04	6KJ0-110004	LOCK PAD	2			1	
05	6FI2-110003-10000	REAR SPROCKET	1			1	
06	3120951	MOTORCYCLE CHAIN	1			1	
07	6KJ0-110001-10000	REAR WHEEL RH SHAFT SLEEVE	2			1	
08	6090-112100	SPROCKET SEAT ASSY	1			1	6FJV-112000-1400
09	30500-027800N	OIL SEAL	2	FB27x47x7		1	
10	30400-02001	BEARING	1	20×47×14		1	
11	5280-112101	SHAFT SLEEVE	1			1	
12	5190-070030-1000	VALVE, INFLATION	1			1	
13	6KJ0-110003	BOLT	4			1	
14	30705-1214	TIRE	1	REAR TIRE		1	
15	6FIV-110100-6001-0B200	REAR RIM ASSY	1	MATTE BLACK		1	
16	6KJV-110004-8000	DAMPING RUBBER, SPROCKET SEAT	1			1	
17	30400-01580	BEARING	1	6202-2RS		1	
18	30204-143810	NUT	1	M14×1.5		10	
19	6FIV-110102-6000	CENTER SPACER, REAR RIM	1			1	
20	30400-01583	BEARING	1	6302-2RS		1	



## F12 油箱 FUEL TANK

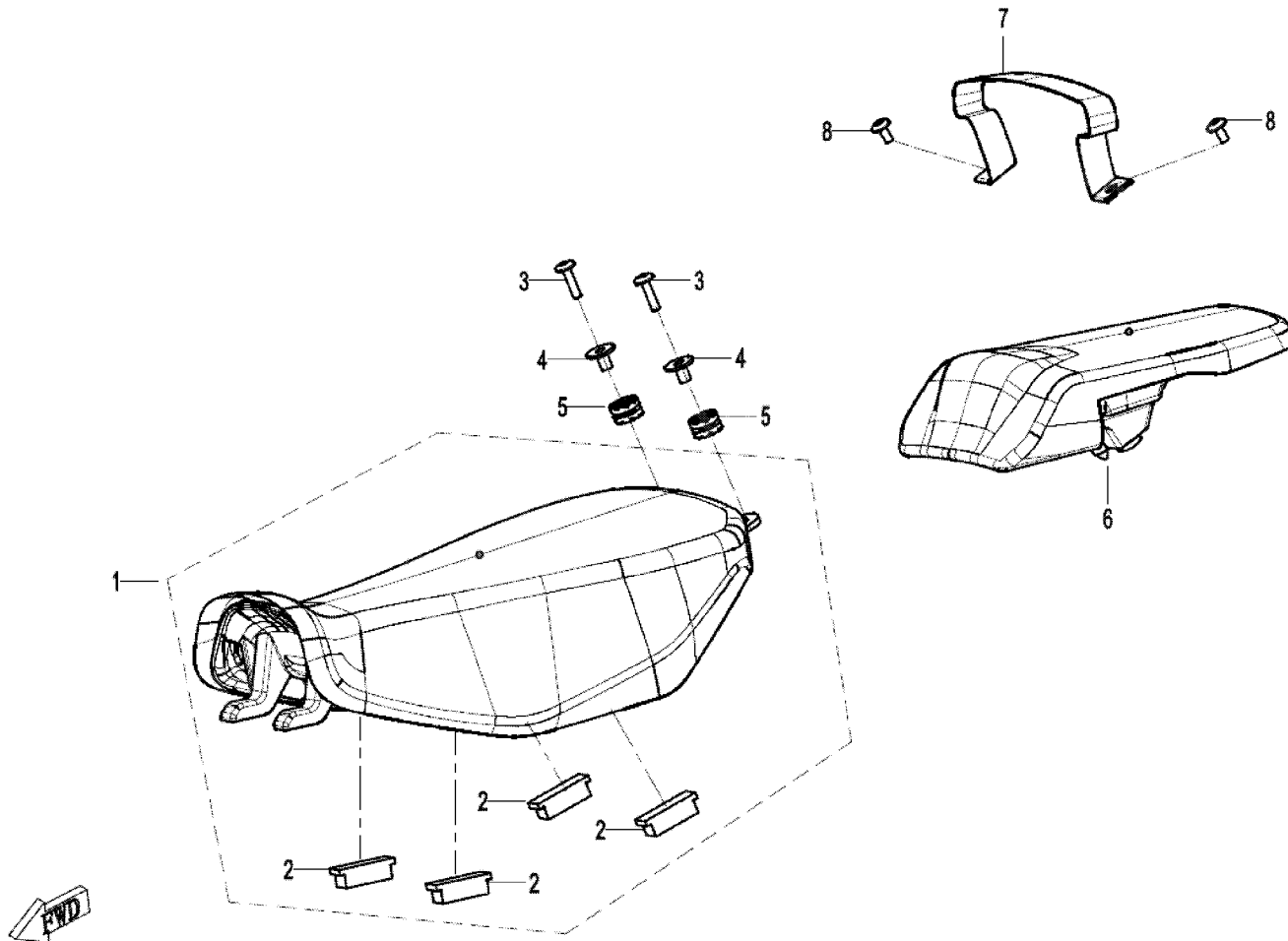
Item No.	Parts Number	Parts Name(EN)	Qty	Specification	Remark(s)	MOQ	Alternative Parts
1	30006-060025810	BOLT	4	M6×25		10	
2	5020-031002	RUBBER SLEEVE LINER	4	FOR FRONT LICENSE BRACKET		6	
3	5020-031001	RUBBER SLEEVE, FRONT LICENSE BRACKET	4			10	
4	6FIV-121000-7100	FUEL TANK ASSY	1			1	
5	6FIV-170200-7101-M1	FUEL LEVEL SENSOR	1			1	6FIV-170200-9000-M1
6	6FI3-170500-00001	FUEL LEVEL SENSOR BOLT	2			1	
7	6FIV-150900-7100	FUEL PUMP ASSY	1			1	
8	30102-050016810	SCREW	5	GB/T70.1 M5×16		10	
9	6090-120210	QUICK JOINT	1			1	
10	6070-120400	CLAMP(Φ14.5)	2	Dia14.5		6	
11	6FIV-120030-7100	HIGH-PRESSURE FUEL HOSE ASSY	1			1	
12	6KJ0-120330-10000	QUICK JOINT	1			1	
13	30601-111010	CLAMP	1	1@COLOR ZINC TRIVALENT CHROME		6	
14	6KMV-120001-C000	FUEL TANK BREATHER HOSE	1			1	



# F13 座垫 SEAT

Item No.	Parts Number	Parts Name(EN)	Qty	Specification	Remark(s)	MOQ	Alternative Parts
1	6FIV-130100-7101	FRONT SEAT ASSY	1		NEBULA WHITE & FIERY RED	1	
1	6FIV-130100-7101-10	FRONT SEAT ASSY	1		MOSS GREEN	1	
2	6FIV-130101-7100	SHOCK PAD	4			2	
3	6WWW-047002-5000	INNER HEX SCREW M6x25	2			2	
4	6KM0-120010	T-TYPE BUSHING ASSY	2			1	
5	5020-031001	BBER SLEEVE, FRONT LICENSE BRACK	2			10	
6	6FIV-130200-7100	REAR SEAT ASSY	1		NEBULA WHITE & FIERY RED	1	
6	6FIV-130200-7100-10	REAR SEAT ASSY	1		MOSS GREEN	1	
7	6GUV-130300-7001	TIE-BAND ASSY	1			1	
8	6WWW-046802-5000	INNER HEX SCREW M6x16	2			10	

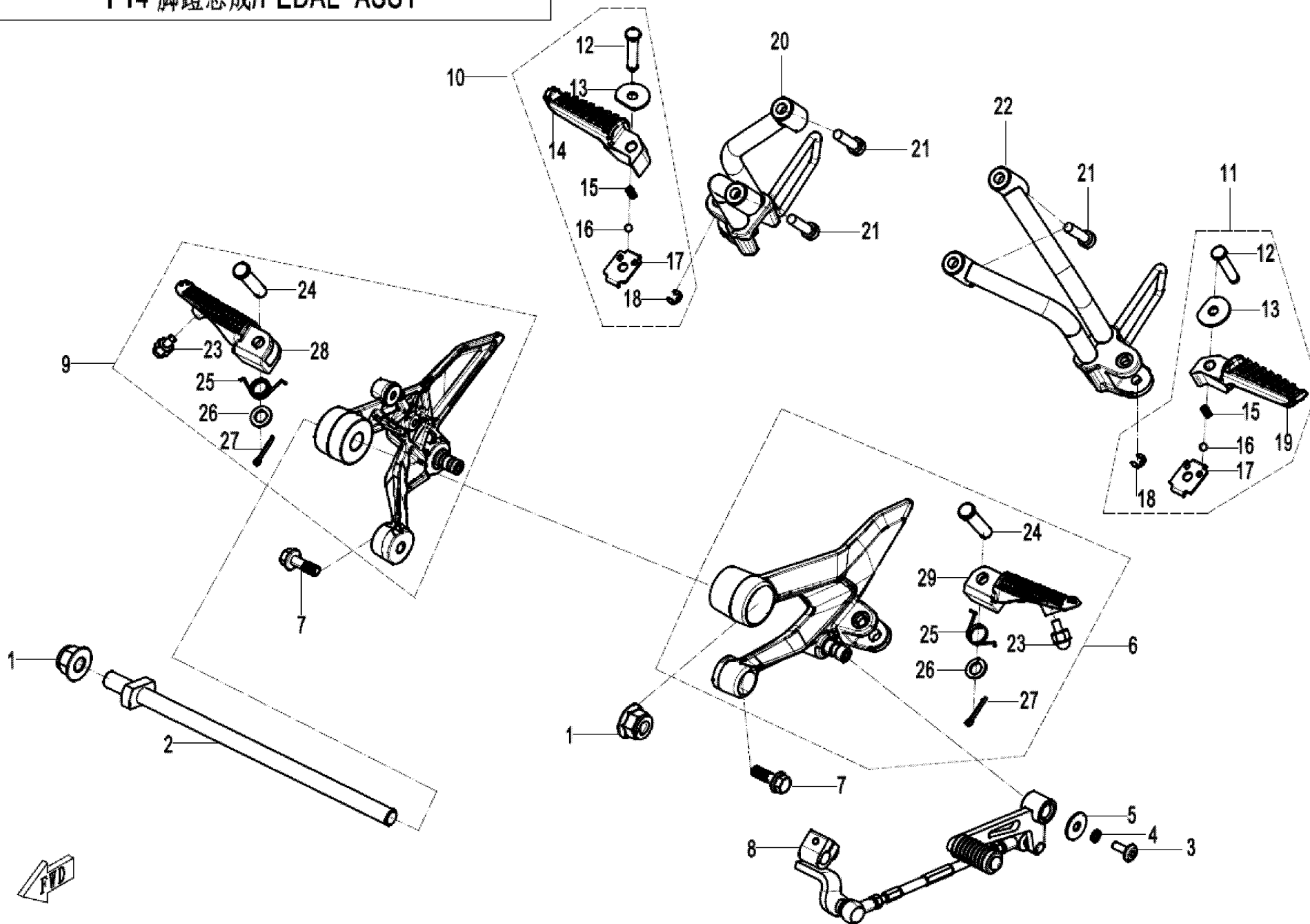
## F13座垫总成/SEAT ASSY



F14 脚蹬 FOOTREST

Item No.	Parts Number	Parts Name(EN)	Qty	Specification	Remark(s)	MOQ	Alternative Parts
1	30204-143810	NUT	2	M14×1.5		10	
2	6FIV-060007-7100	REAR FORK SHAFT	1			1	
3	6WWW-046802-5000	INNER HEX SCREW M6×16	1			10	
4	30303-060152	WASHER	1	6		10	30303-060112
5	30301-060470	WASHER	1	φ6		1	
6	6FIV-142000-7100	LH FRONT FOOTREST BRACKET	1			1	
7	30006-080025810	BOLT	2	M8×25		10	
8	6FIV-141000-7100	GEARSWITCH ASSY	1			1	
9	6FIV-143000-7100	RH FRONT FOOTREST ASSY	1			1	
10	A000-1401B0	REAR FOOTREST, RH	1			1	
11	A000-1401A0	REAR FOOTREST, LH	1			1	
12	A000-140142	PIN SHAFT 8	2	Dia 8		2	
13	A000-140106	LOCATING GASKET 2	2			2	
14	A000-140109	REAR RH FOOTREST	1			1	
15	5190-037813	SPRING	2			1	
16	5190-037814	STEEL BALL	2			2	
17	A000-140104	LOCATING GASKET 1	2			2	6HVV-140006-1000
18	30802-00603	SPLIT WASHER 6	2	GB/T896_6		2	
19	A000-140108	REAR LH FOOTREST	1			1	
20	6FIV-140300-7100	REAR RH BRACKET FOOTREST	1			1	
21	30102-080025810	SCREW	4	M8×25		10	
22	6FIV-140200-7100	REAR LH FOOTREST BRACKET	1			1	
23	A010-140123	LIMIT BOLT	2			10	6KM0-130123
24	6WWW-140141-5000	PIN SHAFT	2			10	
25	A000-140103-20000	SPRING	2			1	
26	30300-100112	WASHER	2	φ10		10	
27	30903-0322210	COTTER PIN	2	x22@COLOR ZINC TRIVALENT CHROM		10	
28	6FIV-140900-7100	FRONT RH FOOTREST SEAT	1			1	
29	6FIV-140800-7100	REAR RH FOOTREST ASSY	1			1	

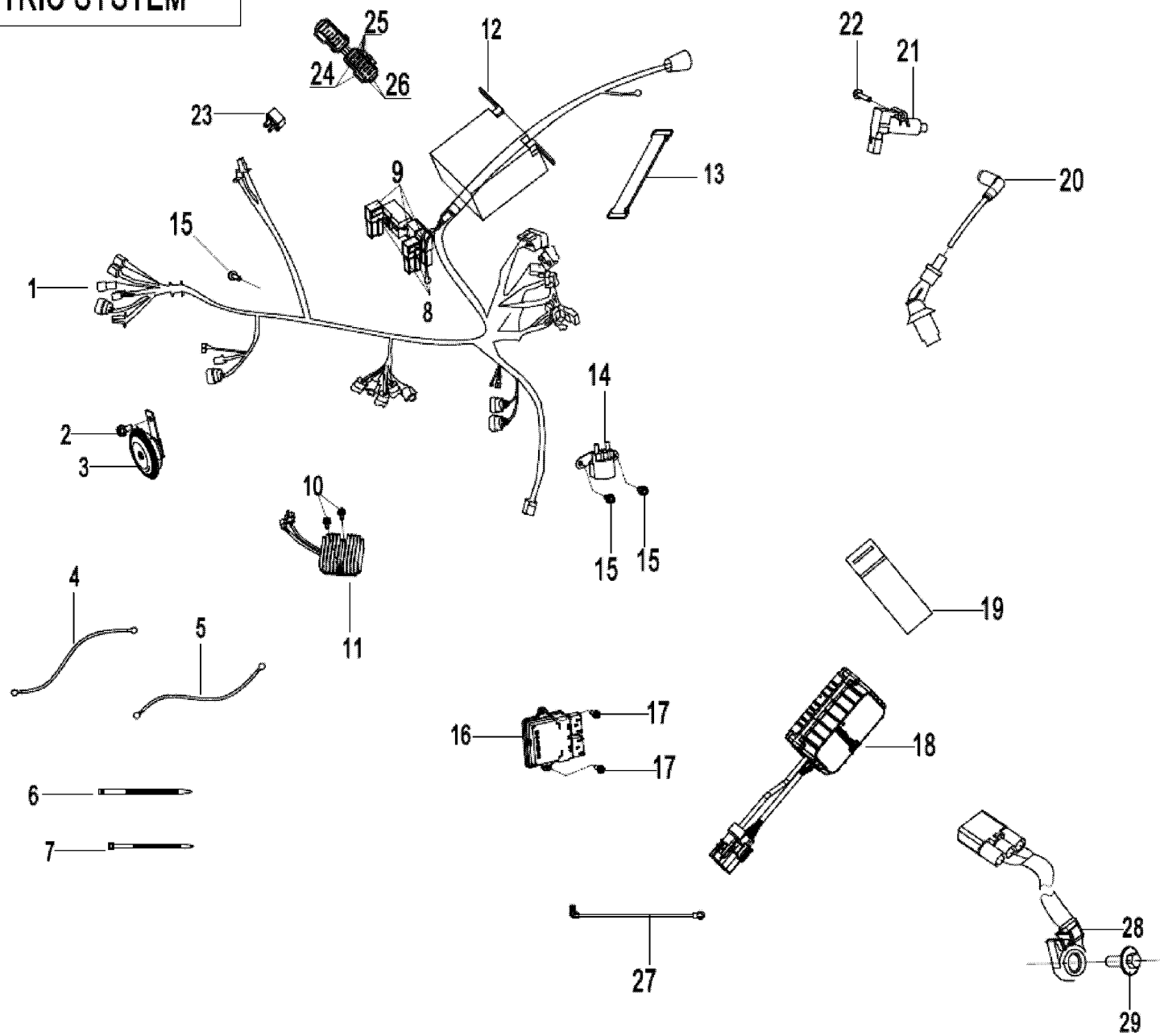
# F14 脚蹬总成/PEDAL ASSY



F15-A 电器系统(ABS) ELECTRIC SYSTEM(ABS)

Item No.	Parts Number	Parts Name(EN)	Qty	Specification	Remark(s)	MOQ	Alternative Parts
1	6FIV-150100-5001	MAIN CABLE	1			1	
2	30006-080014810	BOLT	1	M8×14		10	
3	6FIV-150600-7000	HORN	1			1	
4	6FIV-150420-7100	BATTERY NEGATIVE CABLE	1			1	
5	6FIV-150176-7102	LICENSE LIGHT ADAPTOR CABLE	1			1	
6	8010-150003	TIE BAND	9	5x250		1	
7	801F-100101	TIE BAND	2			10	
8	9010-150002	AUXILIARY RELAY RUBBER RING	3			6	
9	CFCV-150524-2000-M1	AUXILIARY RELAY	3			1	
10	30006-060022810	BOLT	2	M6×22		6	
11	6FIV-177000-7000	REGULATOR	1			1	
12	6FIV-151600-7000-M1	BATTERY	1			1	6FIV-151600-7001-M1
13	1080-150700	BATTERY TIE BAND	1			1	
14	5270-150500	STARTER RELAY	1			1	
15	30006-060012810	BOLT	2	M6×12		10	30006-060012870
16	6FIV-001000-5000	ECM ASSY	1	MSE8.0		1	
17	30102-060012810	SCREW	2	M6×12		10	
18	SN1V-691100-1201-11	T-BOX	1	Africa and Australia except Turkey, BN	EU/AU/MIDDLE EAST/AFRICA/SOUTHEAST ASIA/WESTERN ASIA	1	
18	SN1V-691100-1301-11	T-BOX	1	North Amrica	NA	1	
18	SN1V-691100-1401-11	T-BOX	1	lyTech@South America except for Bra	OTHER COUNTRIES IN SOUTH AMERICA EXCEPT BRAZIL-ZHIYUAN	1	
18	SN1V-691100-1501-11	T-BOX	1	Turkey	TURKEY-ZHIYUAN	1	
18	SN1V-691100-1601-11	T-BOX	1	Brazil	BRAZIL_ZHIYUAN	1	
19	6KMV-150901-B001	RUBBER RING, T-BOX	2			1	6KMV-150901-B002
19	6KMV-150901-B002	T-BOX RUBBER RING	2			2	
20	6FIV-003500-7100	HIGH-PRESSURE CABLE ASSEMBLY	1			1	
21	6FIV-003400-8000	IGNITION COIL	1			1	
22	30006-060035810	BOLT	1	M6×35		6	
23	6090-150500	DIODE, STARTER	3			1	
24	8010-151301	FUSE 5A	2	5A		2	
25	806A-151305	FUSE 15A	5	15A		2	
26	806A-151308	30A FUSE	2			1	
27	6FIV-150310-7100	POSITIVE CABLE, STARTER MOTOR	1			1	
28	6KMV-151500-3000	SIDE STAND SWITCH	1			1	
29	8010-090005	BOLT M6x16	1	M6x16		10	

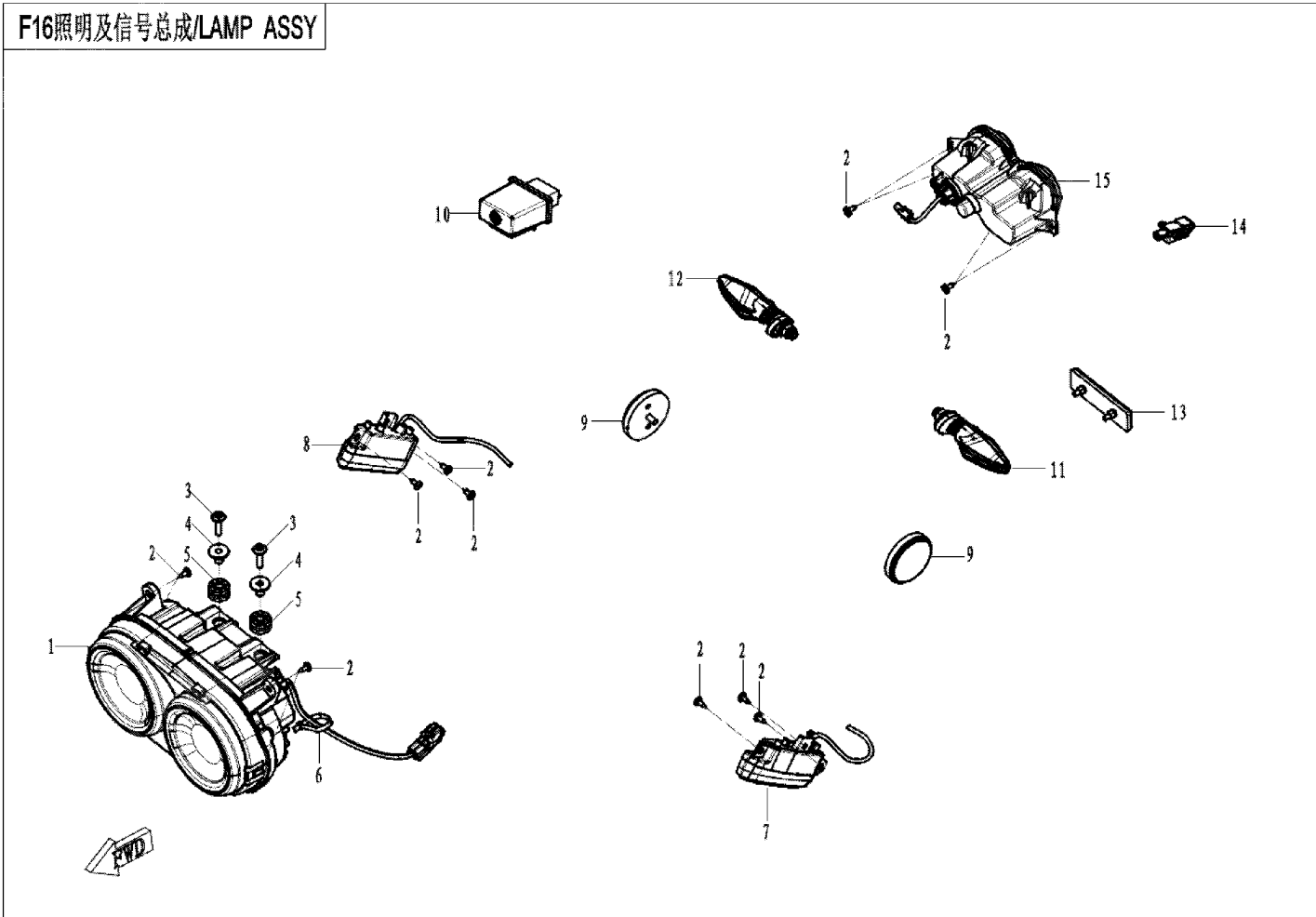
# F15 电器系统/ELECTRIC SYSTEM



# F16-V1 灯具 LIGHTS

Item No.	Parts Number	Parts Name(EN)	Qty	Specification	Remark(s)	MOQ	Alternative Parts
1	6FIV-160110-7102	HEADLIGHT	1			1	
2	30110-421130010	SELF-TAPPING SCREW	14	x13@COLOR ZINC TRIVALENT CHRO		10	30110-420130070
3	6GU#-000201-6000	INNER HEX SCREW M6x25	2			10	
4	6GU#-000202-6000	T-TYPE BUSHING ASSY	2			1	
5	5020-031001	BBER SLEEVE, FRONT LICENSE BRACK	2			10	
6	8010-150003	TIE BAND	1	5x250		1	
7	6FIV-165100-7101	FRONT LH TURN LIGHT ASSEMBLY	1			1	
8	6FIV-165200-7101	RH FRONT TURN LIGHT ASSY	1			1	
9	9GQV-160920-1401-M1	FRONT SIDE REFLECTOR	2			1	
10	6FIV-161000-7100	FLASHER	1			1	
11	6KWV-160530-1000	REAR LH TURN LIGHT ASSY	1			1	
12	6KWV-160540-1000	REAR RH TURN LIGHT ASSY	1			1	
13	6FIV-160910-4000-M1	REAR REFLECTOR	1			1	
14	6GUV-160600-6200	LICENSE LIGHT	1			1	
15	6FIV-160200-7102	TAIL LIGHT	1			1	

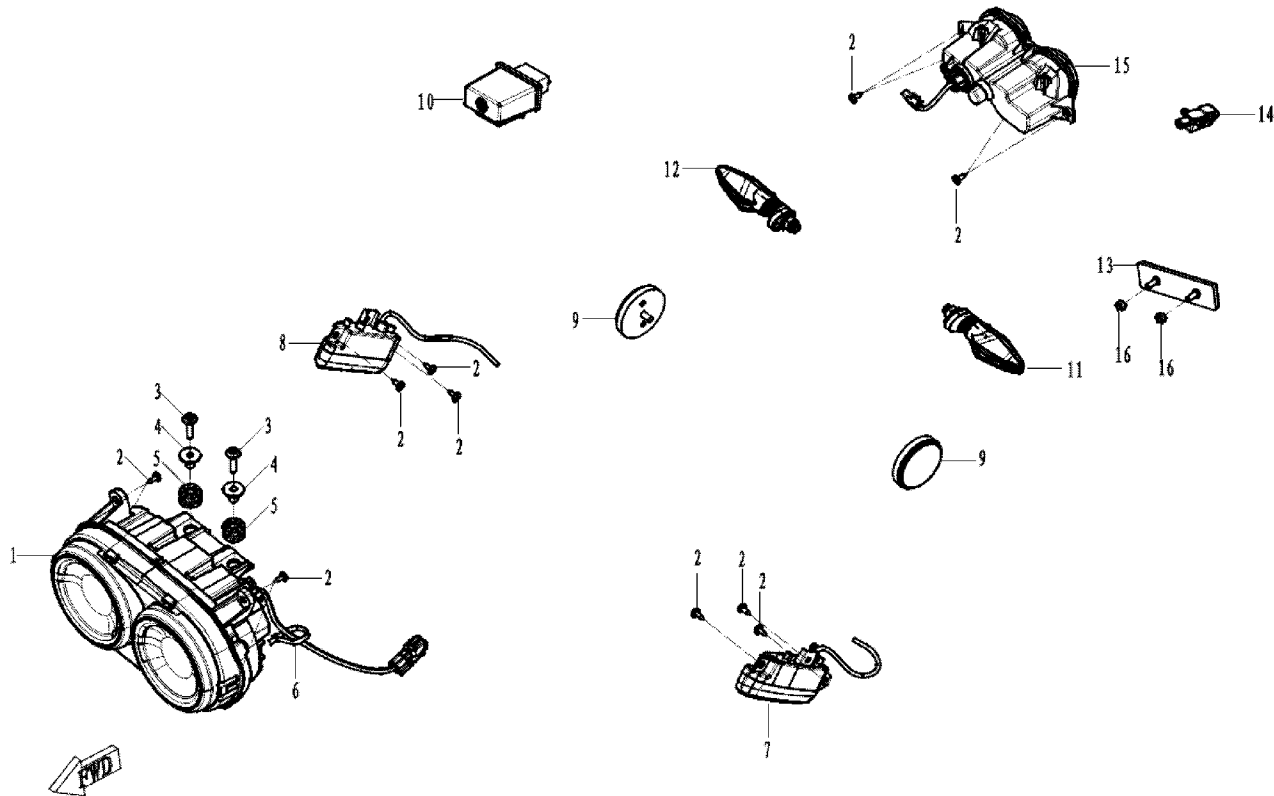
**F16照明及信号总成/LAMP ASSY**



## F16-V2 灯具 LIGHTS

Item No.	Parts Number	Parts Name(EN)	Qty	Specification	Remark(s)	MOQ	Alternative Parts
1	6FIV-160110-7102	HEADLIGHT	1			1	
2	30110-421130010	SELF-TAPPING SCREW	14	x13@COLOR ZINC TRIVALENT CHRO		10	30110-420130070
3	6GU#-000201-6000	INNER HEX SCREW M6x25	2			10	
4	6GU#-000202-6000	T-TYPE BUSHING ASSY	2			1	
5	5020-031001	BBER SLEEVE, FRONT LICENSE BRACK	2			10	
6	8010-150003	TIE BAND	1	5x250		1	
7	6FIV-165100-7101	FRONT LH TURN LIGHT ASSEMBLY	1			1	
8	6FIV-165200-7101	RH FRONT TURN LIGHT ASSY	1			1	
9	9GQV-160920-1401-M1	FRONT SIDE REFLECTOR	2			1	
10	6FIV-161000-7100	FLASHER	1			1	
11	6KWV-160530-1000	REAR LH TURN LIGHT ASSY	1			1	
12	6KWV-160540-1000	REAR RH TURN LIGHT ASSY	1			1	
13	6FIV-160910-4000-M1	REAR REFLECTOR	1			1	
14	6GUV-160600-6200	LICENSE LIGHT	1			1	
15	6FIV-160200-7102	TAIL LIGHT	1			1	
16	30202-050110	NUT	2	M5		10	

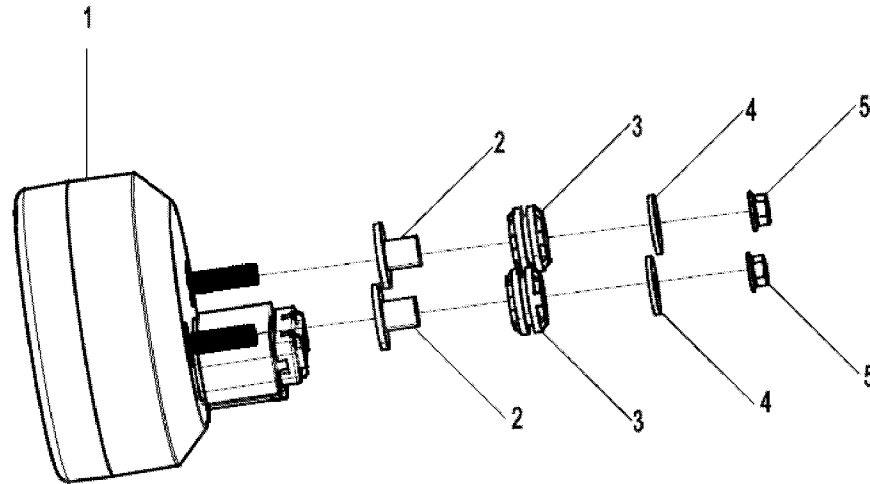
### 照明及信号总成/LAMP ASSY



# F17 仪表 DASHBOARD

Item No.	Parts Number	Parts Name(EN)	Qty	Specification	Remark(s)	MOQ	Alternative Parts
1	6FIV-171000-7100	DASHBOARD	1			1	
2	6090-040303	BUSHING	2			10	
3	6WWW-030019-5000	RUBBER BUSHING	2			2	
4	30301-060470	WASHER	2	φ6		1	
5	30202-060110	NUT	2	φ@COLOR ZINC TRIVALENT CHROMIU		10	30204-060810

## 仪表总成/DASHBOARD ASSY



Item No.	Parts Number	Parts Name(EN)	Qty	Specification	Remark(s)	MOQ	Alternative Parts
1	6FIA-190201-6500	FUEL TANK WARNING LABEL	1			1	



# WARNING

Failure to follow these instructions may result in danger.

- Read the owner's manual carefully before riding. Inappropriate modification is not allowed.
- Please wear helmet, protective clothing and other protective gear.
- Do not touch overheated, rotating parts such as exhaust pipe, engine, wheel and ect.
- Please slow down on poor visibility and slippery road.
- Always follow maintenance schedule.

# CFMOTO

# F19-2-B 贴花 (格林绿-ABS) DECAL(MOSS GREEN-ABS)

Item No.	Parts Number	Parts Name(EN)	Qty	Specification	Remark(s)	MOQ	Alternative Parts
1	6FIV-190101-7101-12	LH COMMERCIAL NAME DECAL	1			1	
2	6FIV-190102-7101-12	RH COMMERCIAL NAME DECAL	1			1	
3	6FIV-190103-7100-12	LH MORE FUN DECAL	1			1	
4	6FIV-190104-7100-12	RH MORE FUN DECAL	1			1	
5	6FIV-190105-7100-12	LH CFMOTO DECAL	1			1	
6	6FIV-190106-7100-12	RH CFMOTO DECAL	1			1	
7	6FIV-190108-7100-12	LH ABS DECAL	1			1	
8	6FIV-190109-7100-12	RH ABS DECAL	1			1	

## 6FIV-190100-7101-12 个性贴花总成 格林绿配色 (ABS版)



1. 工件名称: 左前护板A, 材料: ABS  
工件颜色: 云杉绿  
粘贴方式: 外贴

材料: 透明导气槽材料, 亮光光油

2. 工件名称: 右前护板A, 材料: ABS  
工件颜色: 云杉绿  
粘贴方式: 外贴

3. 工件名称: 油箱左前护板, 材料: ABS  
工件颜色: 云杉绿  
粘贴方式: 外贴

材料: 透明材料, 亮光光油

4. 工件名称: 油箱右前护板, 材料: ABS  
工件颜色: 云杉绿  
粘贴方式: 外贴

此处为透明

5. 工件名称: 油箱左护板, 材料: ABS  
工件颜色: 云杉绿  
粘贴方式: 外贴

6. 工件名称: 油箱右护板, 材料: ABS  
工件颜色: 云杉绿  
粘贴方式: 外贴

7. 工件名称: 前挡泥板前段(左), 材料: ABS  
工件颜色: 雾银黑  
粘贴方式: 外贴

8. 工件名称: 前挡泥板前段(右), 材料: ABS  
工件颜色: 雾银黑  
粘贴方式: 外贴

雾银黑

# F19-2-C 贴花(蒙扎红-ABS) DECAL(FIERY RED--ABS)

Item No.	Parts Number	Parts Name(EN)	Qty	Specification	Remark(s)	MOQ	Alternative Parts
1	6FIV-190101-7100-13	LH FRONT PANEL A DECAL	1			1	
2	6FIV-190102-7100-13	FRONT RH PANEL A DECAL	1			1	
3	6FIV-190103-7100-13	LH MORE FUN DECAL	1			1	
4	6FIV-190104-7100-13	RH MORE FUN DECAL	1			1	
5	6FIV-190105-7100-13	LH CFMOTO DECAL	1			1	
6	6FIV-190106-7100-13	RH CFMOTO DECAL	1			1	
7	6FIV-190108-7100-13	LH ABS DECAL	1			1	
8	6FIV-190109-7100-13	RH ABS DECAL	1			1	
9	6FIV-190110-7100-13	COMMERCIAL NAME DECAL	2			2	

## 6FIV-190100-7101-13 个性贴花总成

### 蒙扎红配色 (ABS版)



1. 工件名称: 左前护板A, 材料: ABS  
工件颜色: 星光白  
粘贴方式: 外贴

2. 工件名称: 右前护板A, 材料: ABS  
工件颜色: 星光白  
粘贴方式: 外贴

5. 工件名称: 油箱左前护板, 材料: ABS  
工件颜色: 星光白/岩蒙红  
粘贴方式: 外贴

6. 工件名称: 油箱右前护板, 材料: ABS  
工件颜色: 星光白/岩蒙红  
粘贴方式: 外贴

7. 工件名称: 前挡泥板前段(左), 材料: ABS  
工件颜色: 雾银黑  
粘贴方式: 外贴

8. 工件名称: 前挡泥板前段(右), 材料: ABS  
工件颜色: 雾银黑  
粘贴方式: 外贴

9. 工件名称: 油箱充(右)护板, 材料: ABS  
工件颜色: 星光白/岩蒙红  
粘贴方式: 外贴

Material: 透明材料, 亮光光油

3. 工件名称: 左前护板A, 材料: ABS  
工件颜色: 星光白  
粘贴方式: 外贴

4. 工件名称: 右前护板A, 材料: ABS  
工件颜色: 星光白  
粘贴方式: 外贴

more fun

透感灰  
星光白

# F19-2-D 贴花 (盐滩白-ABS) DECAL(NEBULA WHITE-ABS)

Item No.	Parts Number	Parts Name(EN)	Qty	Specification	Remark(s)	MOQ	Alternative Parts
1	6FIV-190101-7100-10	LH COMMERCIAL NAME DECAL	1			1	
2	6FIV-190102-7100-10	RH COMMERCIAL NAME DECAL	1			1	
3	6FIV-190103-7100-10	TAIL LIGHT LH PANEL DECAL	1			1	
4	6FIV-190104-7100-10	TAIL LIGHT RH PANEL DECAL	1			1	
5	6FIV-190105-7100-10	LH CFMOTO DECAL	1			1	
6	6FIV-190106-7100-10	RH CFMOTO DECAL	1			1	
7	6FIV-190108-7100-11	LH ABS DECAL	1			1	
8	6FIV-190109-7100-11	RH ABS DECAL	1			1	

## 6FIV-190100-7101-11 个性贴花总成 盐滩白配色 [ABS版]

— 刀模线(半模线)    — 覆膜线(整模线)

柠檬绿   
  星光黑   
  星光白   
  钛金灰

光白亮光  
 光白哑光  
 透明亮光  
 透明哑光  
 透明内贴

材料: 透明材料, 亮光光油

工件名称: 左前护板A, 材料: ABS  
 工件颜色: 星光白  
 粘贴方式: 外贴

1. 

工件名称: 右前护板A, 材料: ABS  
 工件颜色: 星光白  
 粘贴方式: 外贴

2. 

工件名称: 尾灯左护板, 材料: ABS  
 工件颜色: 星光白  
 粘贴方式: 外贴

3. 

工件名称: 尾灯右护板, 材料: ABS  
 工件颜色: 星光白  
 粘贴方式: 外贴

4. 

4.

工件名称: 油箱左护板, 材料: ABS  
 工件颜色: 星光白  
 粘贴方式: 外贴

5. 

工件名称: 油箱右护板, 材料: ABS  
 工件颜色: 星光白  
 粘贴方式: 外贴

6.

工件名称: 油箱左护板, 材料: ABS  
 工件颜色: 星光白  
 粘贴方式: 外贴

7. 

工件名称: 油箱右护板, 材料: ABS  
 工件颜色: 星光白  
 粘贴方式: 外贴

8. 

## F19-3 型号贴花 MODEL DECAL

Item No.	Parts Number	Parts Name(EN)	Qty	Specification	Remark(s)	MOQ	Alternative Parts
1	6FIV-190108-5000-10	MODEL DECAL	2			2	

材料：透明材料 亮光光油

工件名称：尾灯左（右）护板，材料：ABS  
工件颜色：星光白  
粘贴方式：外贴

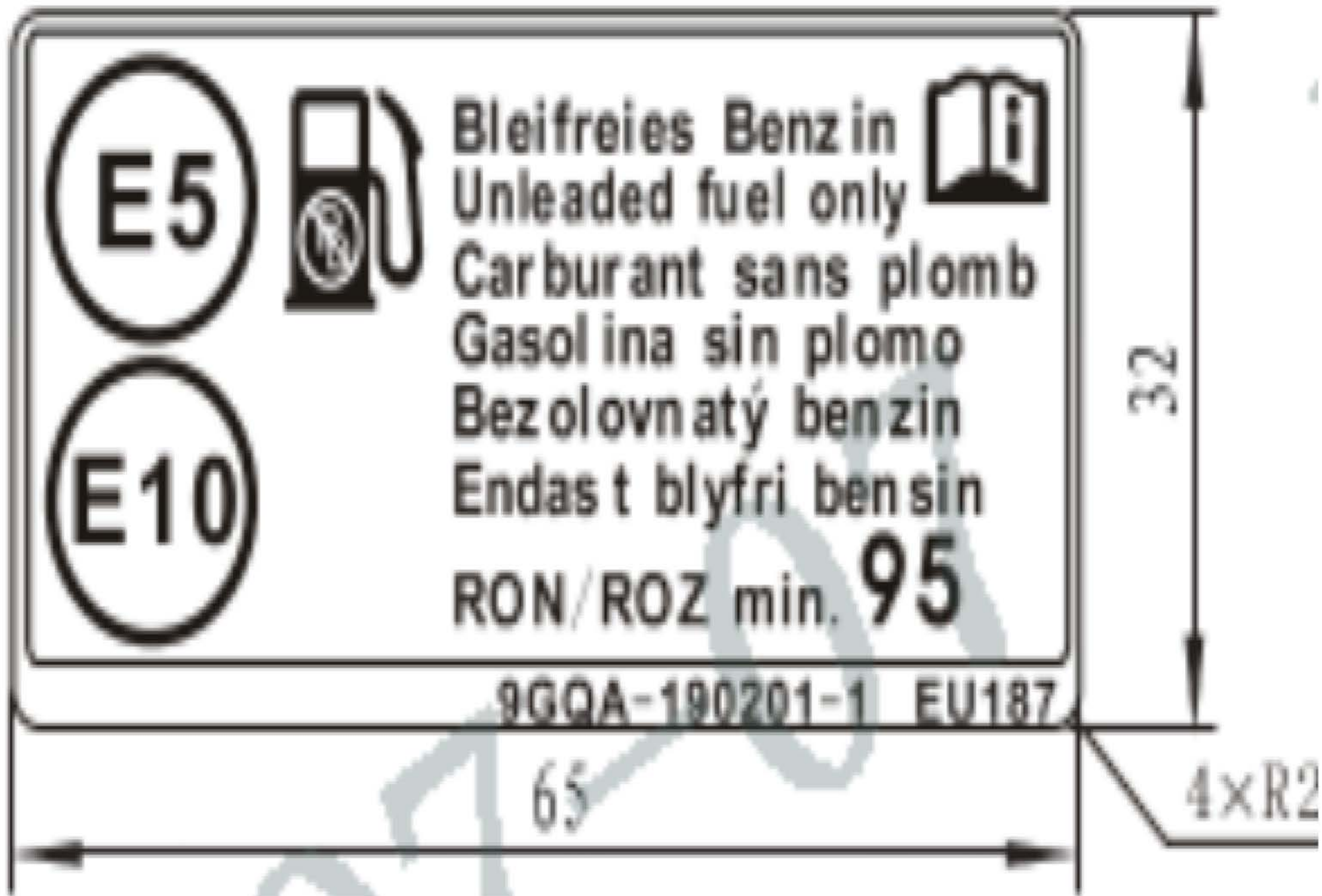
CF125-8F

钛金灰

X2

F19-4 加油口警告标贴 WARNING LABEL, FUEL FILLING PORT

Item No.	Parts Number	Parts Name(EN)	Qty	Specification	Remark(s)	MOQ	Alternative Parts
01	9GQA-190201-10000	FUEL FILLING PORT WARNING LABEL	1			1	6BLV-190201-1001



Item No.	Parts Number	Parts Name(EN)	Qty	Specification	Remark(s)	MOQ	Alternative Parts
01	6KMV-190017-B400	GSO LABEL	1			1	

Name of the Manufacturer: ZHEJIANG CFMOTO POWER CO., LTD.

Country of Production: CHINA Year and month of production:

VIN:

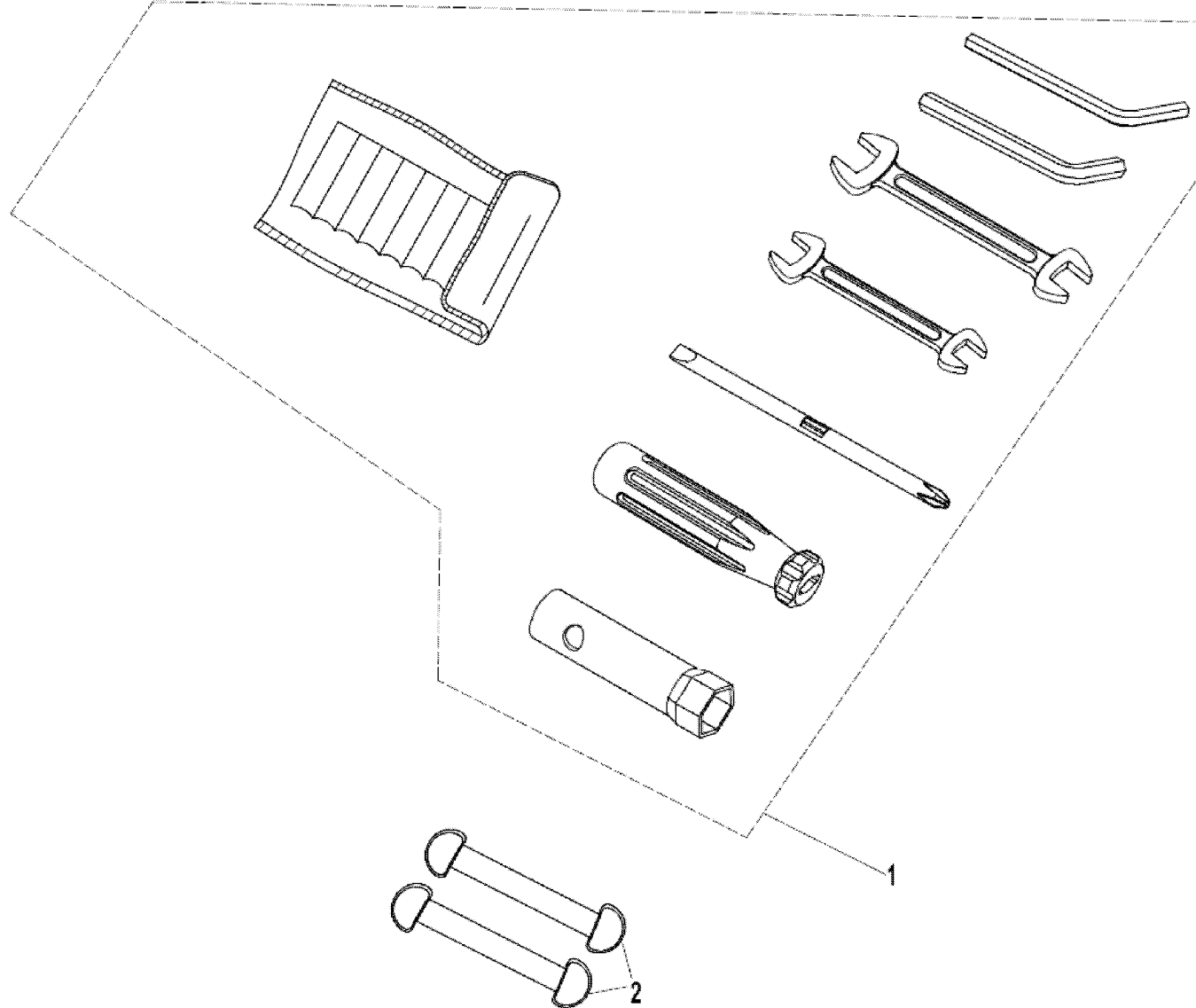
Engine capacity:           cc Model year:

This motorcycle complies with all GSO Technical Regulations and GSO Standards in effect up to the date of manufacture.

F20 随车工具 TOOLS

Item No.	Parts Number	Parts Name(EN)	Qty	Specification	Remark(s)	MOQ	Alternative Parts
01	6100-200100-10000	TOOL KIT	1			1	
02	8010-000012	TIE BAND ASSY	2			1	

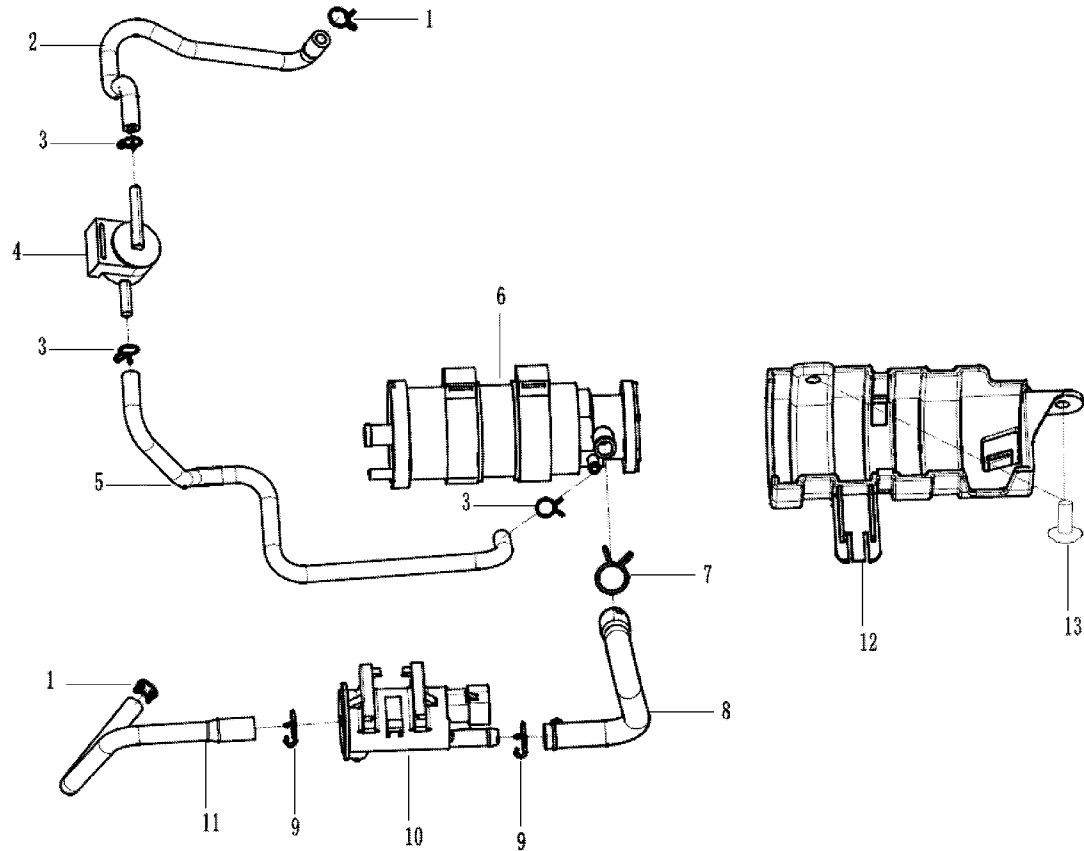
随车工具/ TOOLS



## F36 燃油蒸发系统 FUEL VAPORIZATON SYSTEM

Item No.	Parts Number	Parts Name(EN)	Qty	Specification	Remark(s)	MOQ	Alternative Parts
1	30601-109010	CLAMP	2	A9		6	
2	6FIV-360001-7100	FUEL VAPOR ADSORPTION HOSE 1	1			1	
3	30601-108010	CLAMP	3	3@COLOR ZINC TRIVALENT CHROMIUM		6	
4	606B-360100	ANTI-ROLLOVER VALVE	1			1	
5	6FIV-360002-7100	FUEL VAPOR ADSORPTION HOSE 2	1			1	
6	6FIV-360200-7100	CANISTER	1			1	
7	30601-114010	CLAMP	1	"		1	
8	6FIV-360003-7100	FUEL VAPOR DESORPTION HOSE 1	1			1	
9	30601-112010	CLAMP	2	2@COLOR ZINC TRIVALENT CHROMIUM		6	
10	6FIV-003200-8000	CANISTER MAGNETIC VALVE	1			1	
11	6FIV-360004-7100	FUEL VAPOR DESORPTION HOSE 2	1			1	
12	6FIV-041503-7100	CANISTER BOX	1			1	
13	6WWW-046702-5000	INNER HEX SCREW M6x12	2			10	6WWW-046802-5000

### 燃油蒸发系统/FUEL EVAPORATION SYSTEM



Item No.	Parts Number	Parts Name(EN)	Qty	Specification	Remark(s)	MOQ	Alternative Parts
1	6FIV-380101-7200-12	EU OWNERS MANUAL	1			1	



# XO-1

## OWNER'S MANUAL

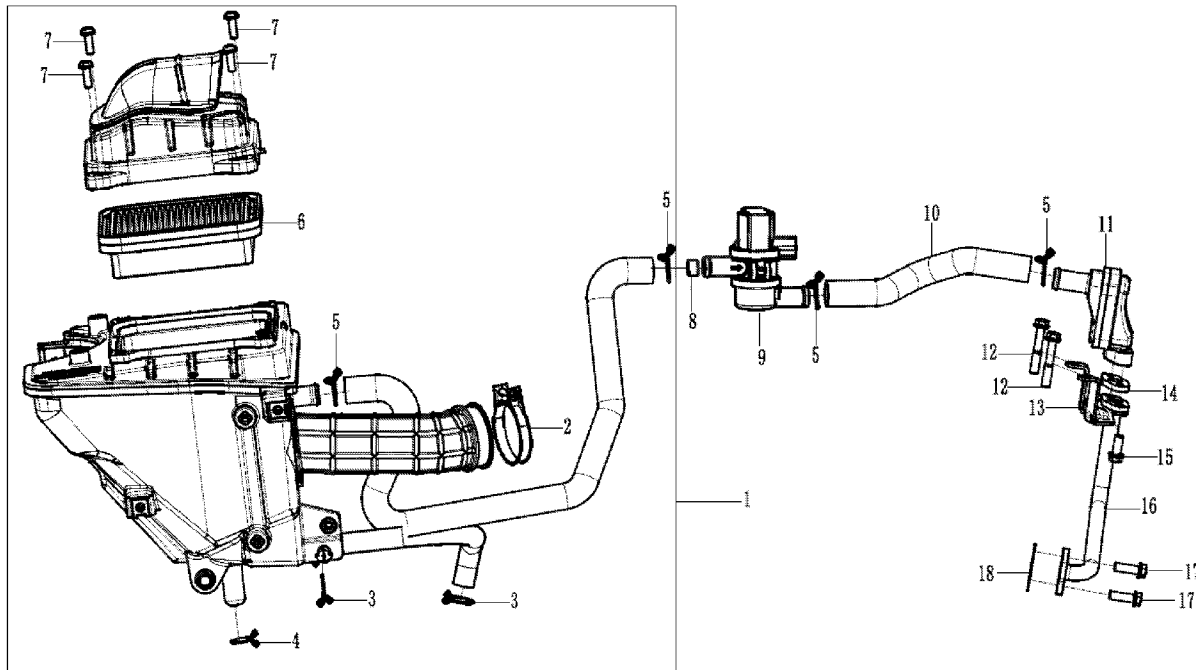
**READ THIS MANUAL CAREFULLY**

It contains important safety information.  
Make sure operator holds a valid driver license.  
Passenger under 12 are prohibited.

## F41 空濾器 AIR FILTER

Item No.	Parts Number	Parts Name(EN)	Qty	Specification	Remark(s)	MOQ	Alternative Parts
1	OKIV-110000-5000	AIR FILTER ASSY	1			1	
2	OKIA-110100	d44 CLAMP ASSY	1	d44		1	
3	30601-114010	CLAMP	2	"		1	
4	30601-113510	CLAMP	1			1	30601-113520
5	30601-118010	CLAMP	4	A18		6	
6	OKIV-112000-4000	FILTER ELEMENT	1			1	
7	30112-050016430	SCREW ASSY	4	M5x16@CHROME-PLATED		6	30112-050016440
8	OKIV-140006-5000	SECONDARY GULP RESTRICTION PLUG	1			2	
9	0HU0-179000	GULP VALVE	1			1	0HUV-179000-1000-10/0HUV-179000-1000
10	OKIV-140002-5000	AIS AIR OUTLET PIPE	1			1	
11	0JYC-022200	SAS ONE-WAY VALVE	1			1	
12	0010-013008-0010	BOLT M6x35	2	GALVANIZED TRIVALENT CHROMIUM		6	
13	OKIV-140005-5000	GULP VALVE BRACKET	1			1	
14	8030-020101	ONE-WAY VALVE GASKET	1			1	
15	0010-023008-00001	BOLT	2			6	
16	OKIV-140003-5000	AIS METAL PIPE	1			1	
17	0010-090005-0010	BOLT M6x16	2	GALVANIZED TRIVALENT CHROMIUM		6	
18	OKIV-140004-5000	SAS PIPE GASKET	1			1	

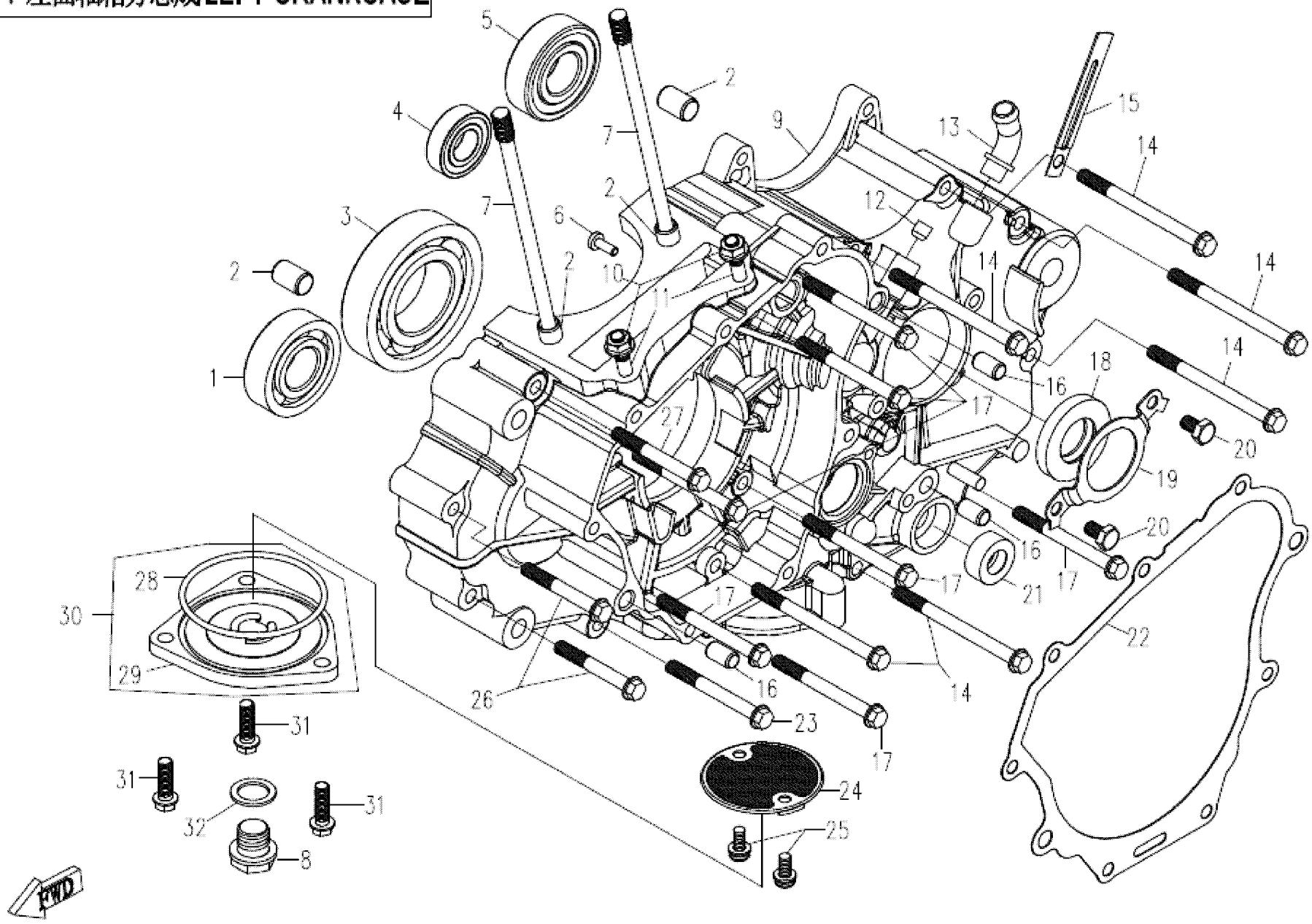
空濾器組/AIR FILTER ASSY



E01-1 左曲轴箱分总成 LEFT CRANKCASE ASSY.

Item No.	Parts Number	Parts Name(EN)	Qty	Specification	Remark(s)	MOQ	Alternative Parts
01	30400-02006	BEARING	1	20×47×14		1	
02	0C10-011007	DOWEL PIN	4	Dia11x16		1	
03	30400-03503	BEARING	1	35×72×17		1	
04	30400-01502	BEARING	1	15×32×9		1	
05	30400-02001	BEARING	1	20×47×14		1	
06	0A70-011008	SCREW 4x11	1	4x11		6	
07	0010-011005-00001	CYLINDER STUD BOLT B	2			2	0010-011005-00002
7	0010-011005-00002	CYLINDER BOLT B	2			2	
08	0A70-011009-00001	SCREW PLUG M14x1.25x12	1			1	
09	0KI2-011100-0B204	LH CRANKCASE	1			1	
10	30202-060110	NUT	2	5@COLOR ZINC TRIVALENT CHROMIUM		10	30204-060810
11	30011-060025820	STUD	2	M6x25		6	
12	0A70-013004	PLUG	1			6	
13	0A80-011002	BREATHER HOSE JOINT	1			1	
14	0A70-011005-00001	BOLT M6x75	6	GALVANIZED TRIVALENT CHROMIUM		6	
15	0180-014010	WIRE CLAMP	1			6	6WWW-030080-8000
16	0010-080008	DOWEL PIN	3	8X14		6	
17	0010-011017-0010	BOLT M6x60	7	GALVANIZED TRIVALENT CHROMIUM		6	
18	0A80-011500	OIL SEAL	1	20x40X6		1	
19	0A70-011006	COUNTERSHAFT OIL SEAL PRESS	1			1	
20	30004-060010850	BOLT M6x10	2	M6x10		10	
21	0A70-011400	OIL SEAL	1	12x22x9		1	
22	0A80-011001	GASKET, LH FRONT COVER	1			1	
23	0010-021018-0010	BOLT M6x55	1	GALVANIZED TRIVALENT CHROMIUM		6	
24	0A70-011300	FILTER ASSY	1			1	
25	30116-050012410	SCREW ASSY	2	12@COLOR ZINC TRIVALENT CHROMIUM		1	30018-050012810
26	0180-013208-0010	BOLT M6x45	2	GALVANIZED TRIVALENT CHROMIUM		6	
27	0010-013010-0010	BOLT M6x50	1	GALVANIZED TRIVALENT CHROMIUM		6	0JWV-011108-3000
28	0A70-011002	O-RING 60.5x2.4,OIL STRAINER COVER	1	60.5x2.4		1	
29	0A70-011004-0B20	FILTER COVER	1	MATTE BLACK		1	
30	0A70-0110A0-0B20	FILTER COVER ASSY	1	MATTE BLACK		1	
31	0010-023010-0010	BOLT M6x20	3	GALVANIZED TRIVALENT CHROMIUM		6	0JWV-011107-3000
32	0180-011006	GASKET 14	1	14		6	

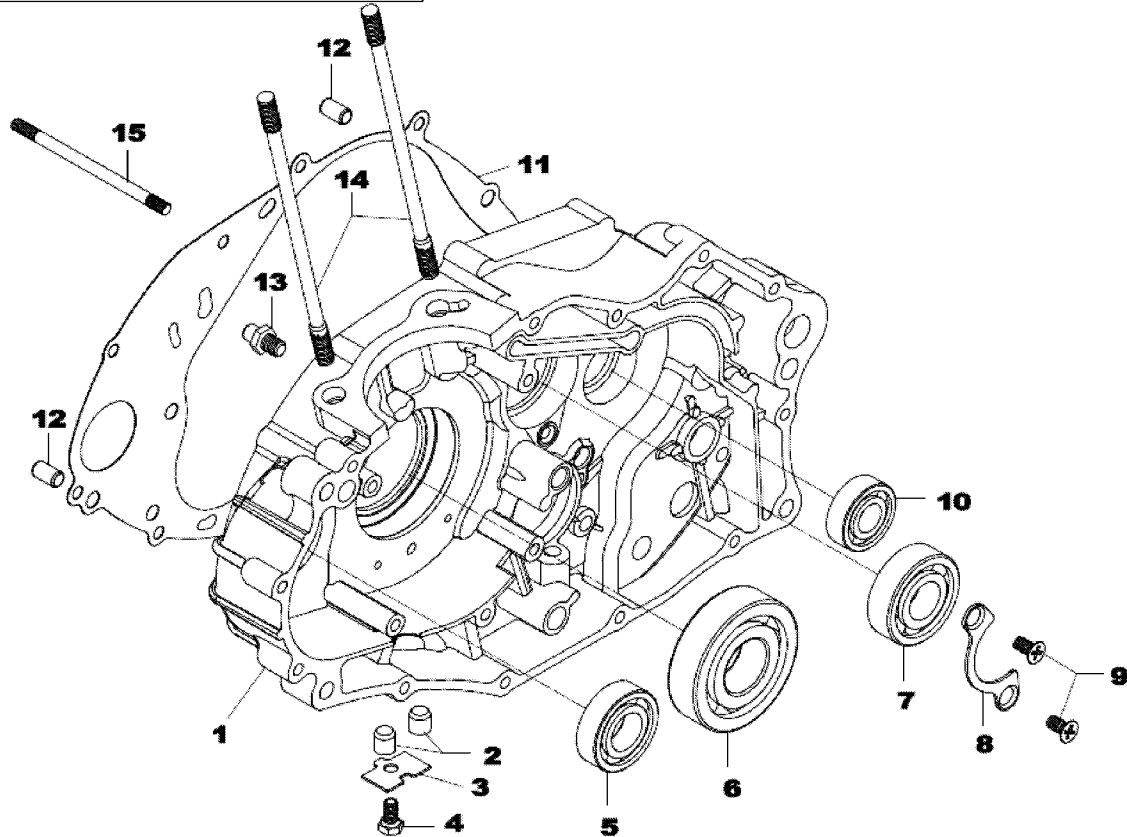
# E01-1 左曲轴箱分总成/LEFT CRANKCASE



## E01-2 右曲轴箱分总成 RIGHT CRANKCASE ASSY.

Item No.	Parts Number	Parts Name(EN)	Qty	Specification	Remark(s)	MOQ	Alternative Parts
01	0KI2-012100-0B20	RH CRANKCASE	1	MATTE BLACK		1	
02	0A70-012007	PLUG	2			2	
03	0A70-012006	PRESS PLATE, OIL PASSAGE	1			6	
04	30004-060012820	BOLT M6x12	1	M6x12		6	
05	30400-02008	BEARING	1	20×42×12		1	
06	30400-02801	BEARING	1	28×52×12		1	
07	30400-02000	BEARING	1	20×47×14		1	
08	0A70-012002	PRESS TOOL. BEARING	1			1	
09	30107-060012410	SCREW	2	M6x12@COLOR ZINC-PLATED		6	
10	30400-01503	BEARING	1	15×35×11		1	
11	0A80-012005	RH SIDE COVER GASKET	1			1	
12	0010-080008	DOWEL PIN	2	8X14		6	
13	0A70-012001-00003	LIMIT BOLT	1			1	
14	0A70-012004-00001	CYLINDER STUD M8x175	2			1	0A70-012004-00002
14	0A70-012004-00002	CYLINDER STUD	2	M8X175		2	
15	0A70-012003-00002	STUD	1	M6×99		2	

E01-2 右曲轴箱分总成/RIGHT CRANKCASE

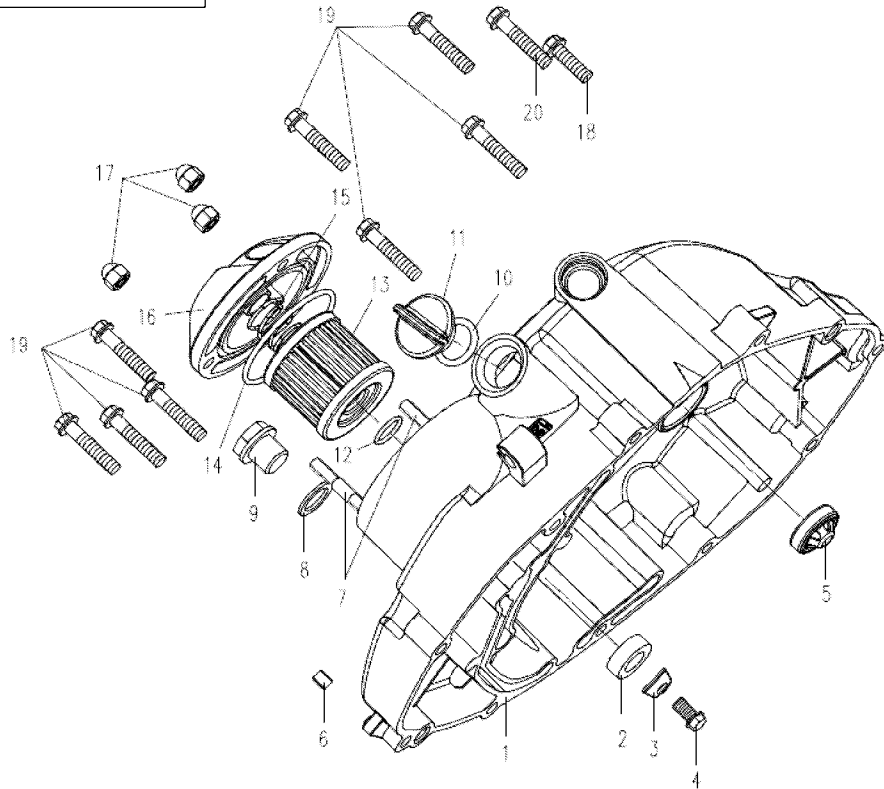


FTD

## E01-3 右侧盖分总成 RIGHT SIDE COVER ASSY.

Item No.	Parts Number	Parts Name(EN)	Qty	Specification	Remark(s)	MOQ	Alternative Parts
01	0A80-013001-2B201	RH SIDE COVER	1	MATTE BLACK		1	
02	0A70-013100	OIL SEAL 12x21x7, CRANKCASE	1	12x21x7		1	
03	0A80-013003	PRESS PLATE, OIL SEAL	1			1	
04	30105-060012410	SCREW	1	M6x12		1	
05	0A70-013500	VIEWER, OIL LEVEL	1			1	
06	0A70-013004	PLUG	1			6	
07	30017-060022110	STUD	2	M6x22		6	
08	0180-011006	GASKET 14	1	14		6	
09	0A70-013007-00001	SCREW PLUG M14x1.25x12	1			6	
10	0A70-013006	O-SEAL RING 16.8x3.1	1	16.8x3.1		1	
11	0A70-013005	OIL FILLING PORT BOLT PLUG	1			1	
12	01A0-013005	O-SEAL RING	1	13x2		2	
13	0A70-013200	FILTER ELEMENT, PAPER	1			1	
14	01A0-013003	O-RING	1	53.6x2.4		1	
15	0A70-013003	SPRING, FILTER ELEMENT	1			6	
16	0A80-013002-0B20	COVER, OIL FILTER	1	MATTE BLACK		1	
17	30212-060810	NUT	3	M6		6	
18	0010-023010-0010	BOLT M6x20	1	GALVANIZED TRIVALENT CHROMIUM		6	0JVV-011107-3000
19	0010-060012-0010	BOLT M6x30	8	GALVANIZED TRIVALENT CHROMIUM		6	
20	0010-013008-0010	BOLT M6x35	1	GALVANIZED TRIVALENT CHROMIUM		6	

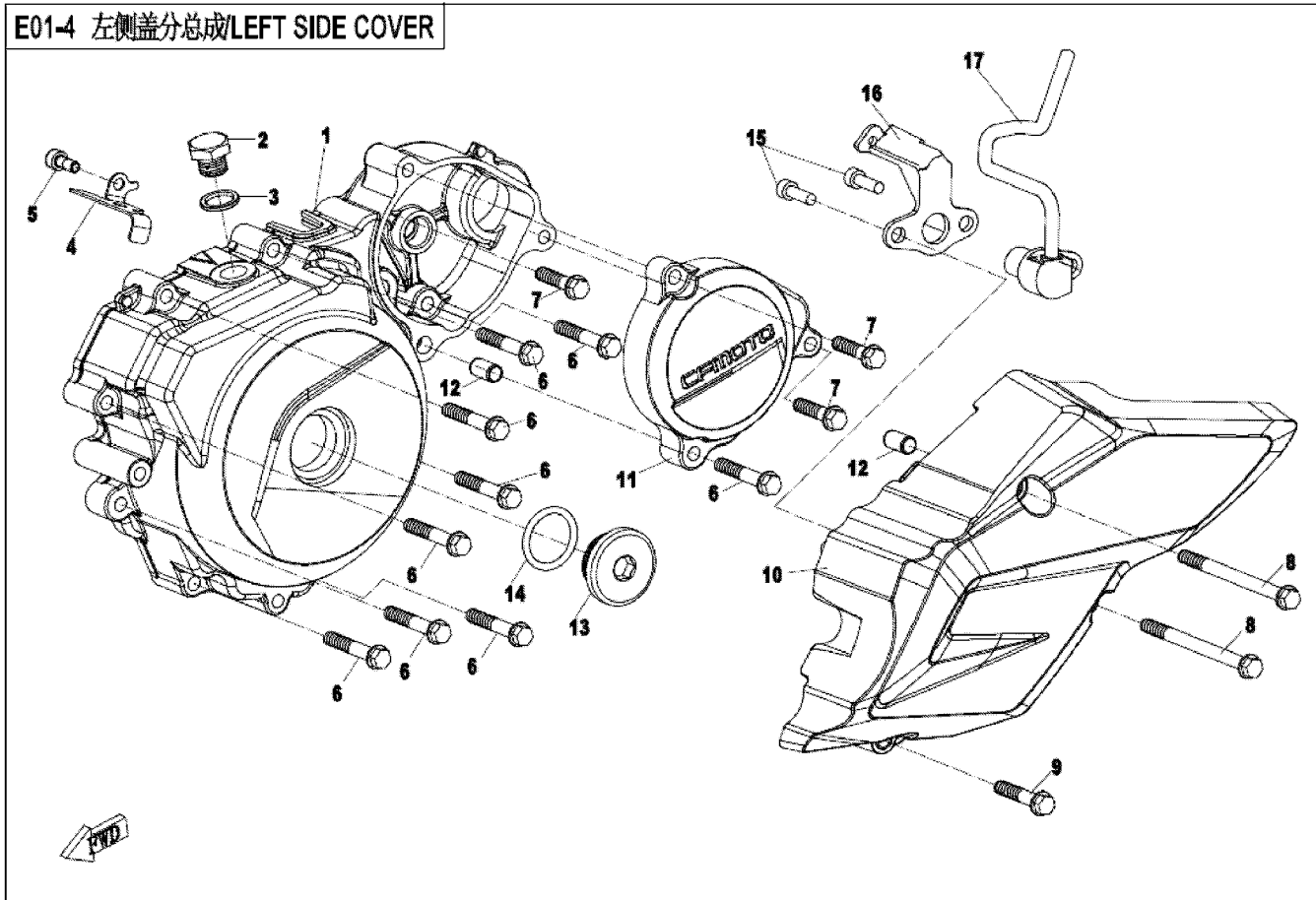
E01-3 右侧盖分总成 RIGHT SIDE COVER



E01-4-V1 左侧盖分总成 LEFT SIDE COVER ASSY.

Item No.	Parts Number	Parts Name(EN)	Qty	Specification	Remark(s)	MOQ	Alternative Parts
01	0A80-014001-1B203	LH FRONT COVER	1	MATTE BLACK		1	0A80-014001-1B204
02	0A70-014007-00001	SCREW PLUG, VIEW HOLE	1			2	
03	0010-021014	WASHER 12	1	12		6	
04	0A80-014005	WIRE PRESS PLATE	1			1	
05	30102-050012810	SCREW	1	12@COLOR ZINC TRIVALENT CHROM		10	
06	0010-013008-0010	BOLT M6x35	9	GALVANIZED TRIVALENT CHROMIUM		6	
07	0010-021017-0010	BOLT M6x25	3	GALVANIZED TRIVALENT CHROMIUM		6	
08	0A70-011005-00001	BOLT M6x75	2	GALVANIZED TRIVALENT CHROMIUM		6	
09	0010-060012-0010	BOLT M6x30	1	GALVANIZED TRIVALENT CHROMIUM		6	
10	0KIA-014100	REAR COVER, LH	1			1	
11	0A80-014003-2B201	LH FRONT GEAR COVER	1	MATTE BLACK		1	0A80-014003-2B202
12	0010-080008	DOWEL PIN	2	8X14		6	
13	0A70-014005-0B20	BOLT CAP, LH FRONT SIDE COVER	1	MATTE BLACK		1	
14	0A70-014006	O-RING	1	22.7x3.1		2	0A70-014006-10000
15	30102-050016810	SCREW	2	GB/T70.1_M5x16		10	
16	6FIV-040012-7100	SPEED SENSOR BRACKET	1		NO ABS	1	
17	0700-065310-10000	SPEED SENSOR	1		NO ABS	1	

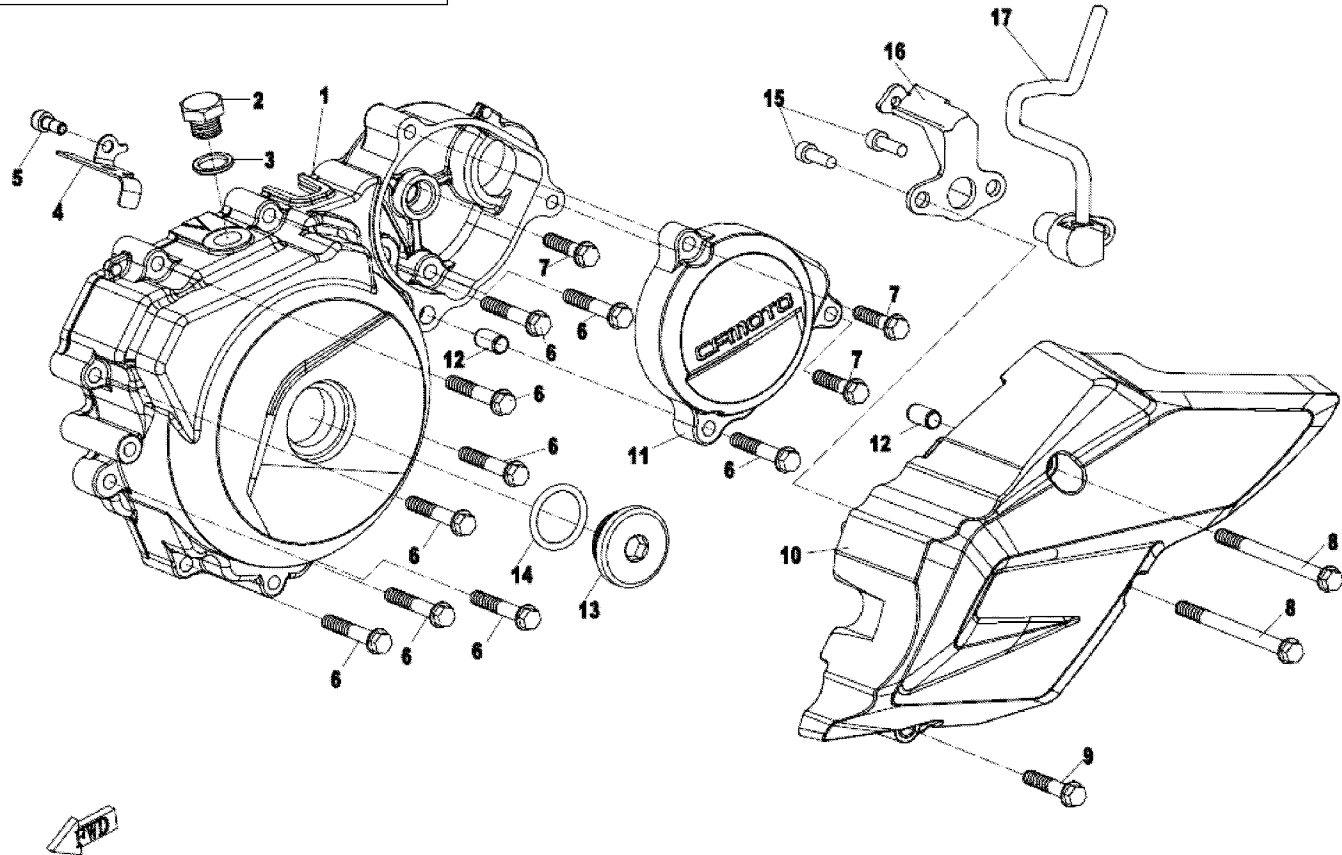
E01-4 左侧盖分总成 LEFT SIDE COVER



E01-4-V2 左侧盖分总成 LEFT SIDE COVER ASSY.

Item No.	Parts Number	Parts Name(EN)	Qty	Specification	Remark(s)	MOQ	Alternative Parts
01	0A80-014001-1B204	FRONT LH COVER	1	MATTE BLACK		1	
02	0A70-014007-00001	SCREW PLUG, VIEW HOLE	1			2	
03	0010-021014	WASHER 12	1	12		6	
04	0A80-014005	WIRE PRESS PLATE	1			1	
05	30102-050012810	SCREW	1	12@COLOR ZINC TRIVALENT CHROM		10	
06	0010-013008-0010	BOLT M6x35	9	GALVANIZED TRIVALENT CHROMIUM		6	
07	0010-021017-0010	BOLT M6x25	3	GALVANIZED TRIVALENT CHROMIUM		6	
08	0A70-011005-00001	BOLT M6x75	2	GALVANIZED TRIVALENT CHROMIUM		6	
09	0010-060012-0010	BOLT M6x30	1	GALVANIZED TRIVALENT CHROMIUM		6	
10	0K1A-014100	REAR COVER, LH	1			1	
11	0A80-014003-2B202	FRONT LH COVER GEAR COVER	1	MATTE BLACK		1	
12	0010-080008	DOWEL PIN	2	8X14		6	
13	0A70-014005-0B20	BOLT CAP, LH FRONT SIDE COVER	1	MATTE BLACK		1	
14	0A70-014006	O-RING	1	22.7x3.1		2	0A70-014006-10000
15	30102-050016810	SCREW	2	GB/T70.1_M5x16		10	
17	0700-065310-10000	SPEED SENSOR	1			1	

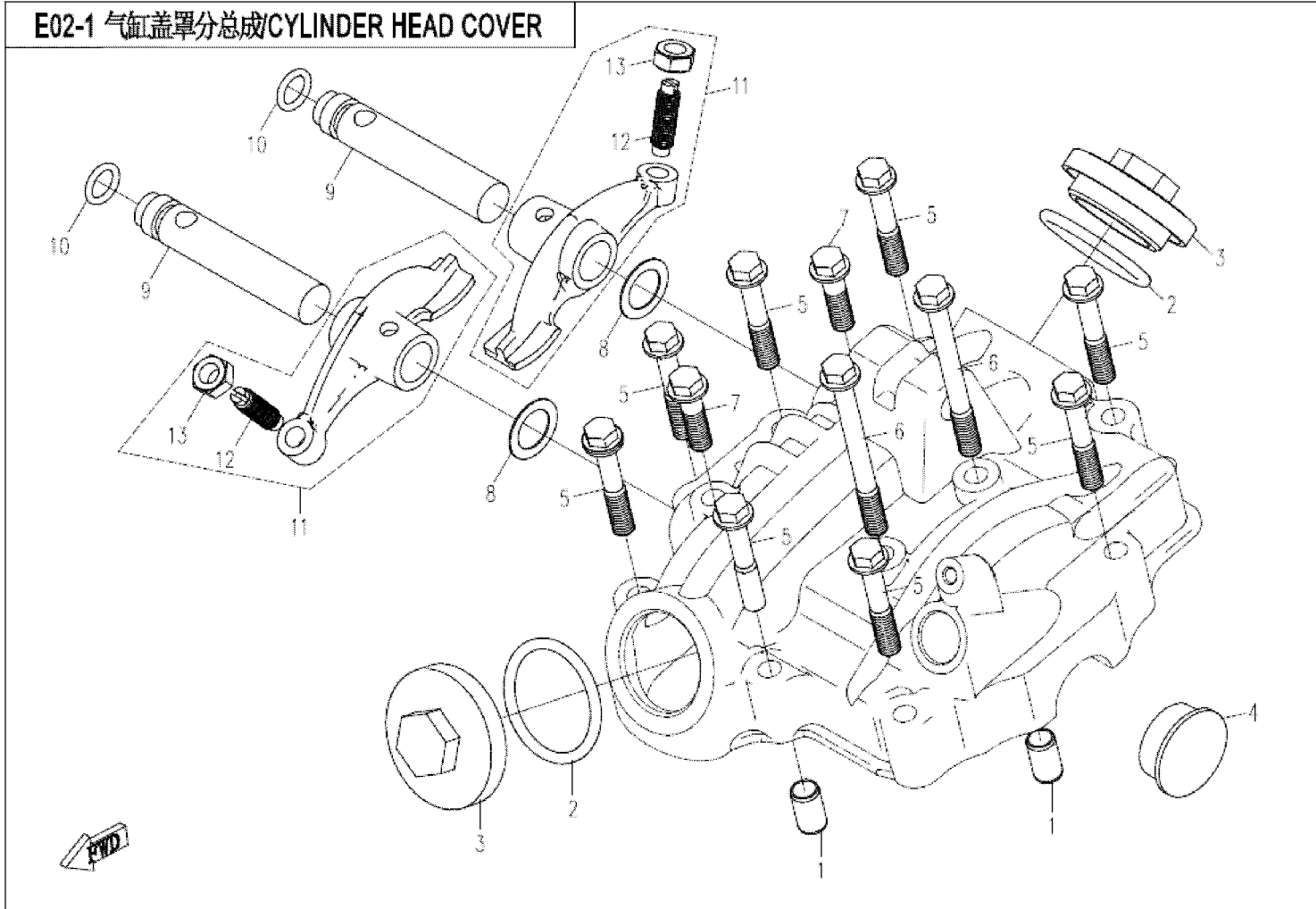
E01-4 左侧盖分总成 LEFT SIDE COVER



## E02-1 气缸盖罩分总成 CYLINDER HEAD COVER ASSY.

Item No.	Parts Number	Parts Name(EN)	Qty	Specification	Remark(s)	MOQ	Alternative Parts
01	0C10-021003	DOWEL PIN Dia 8X12	2	Dia8X12		1	
02	0110-013028	O-RING	2	30x3.55		2	
03	0110-013007-0B20	COVER, STRAINER	2	MATTE BLACK		2	
04	0C10-021002	CAMSHAFT PLUG	1			1	
05	0010-013008-0010	BOLT M6x35	8	GALVANIZED TRIVALENT CHROMIUM		6	
06	0010-011017-0010	BOLT M6x60	2	GALVANIZED TRIVALENT CHROMIUM		6	
07	0010-080013-0010	BOLT M6x22	2	GALVANIZED TRIVALENT CHROMIUM		6	
08	0A70-021002	WASHER	2			2	
09	0C10-021004	ROCKER ARM SHAFT	2			1	
10	0A70-021005	O-RING	2	8.6x1.9		2	
11	0A70-021100	SWING ARM ASSY	2			1	
12	0A70-021102	ADJUST SCREW, VALVE CLEARANCE	2			6	
13	0A70-021103	ADJUST NUT, VALVE CLEARANCE	2			6	

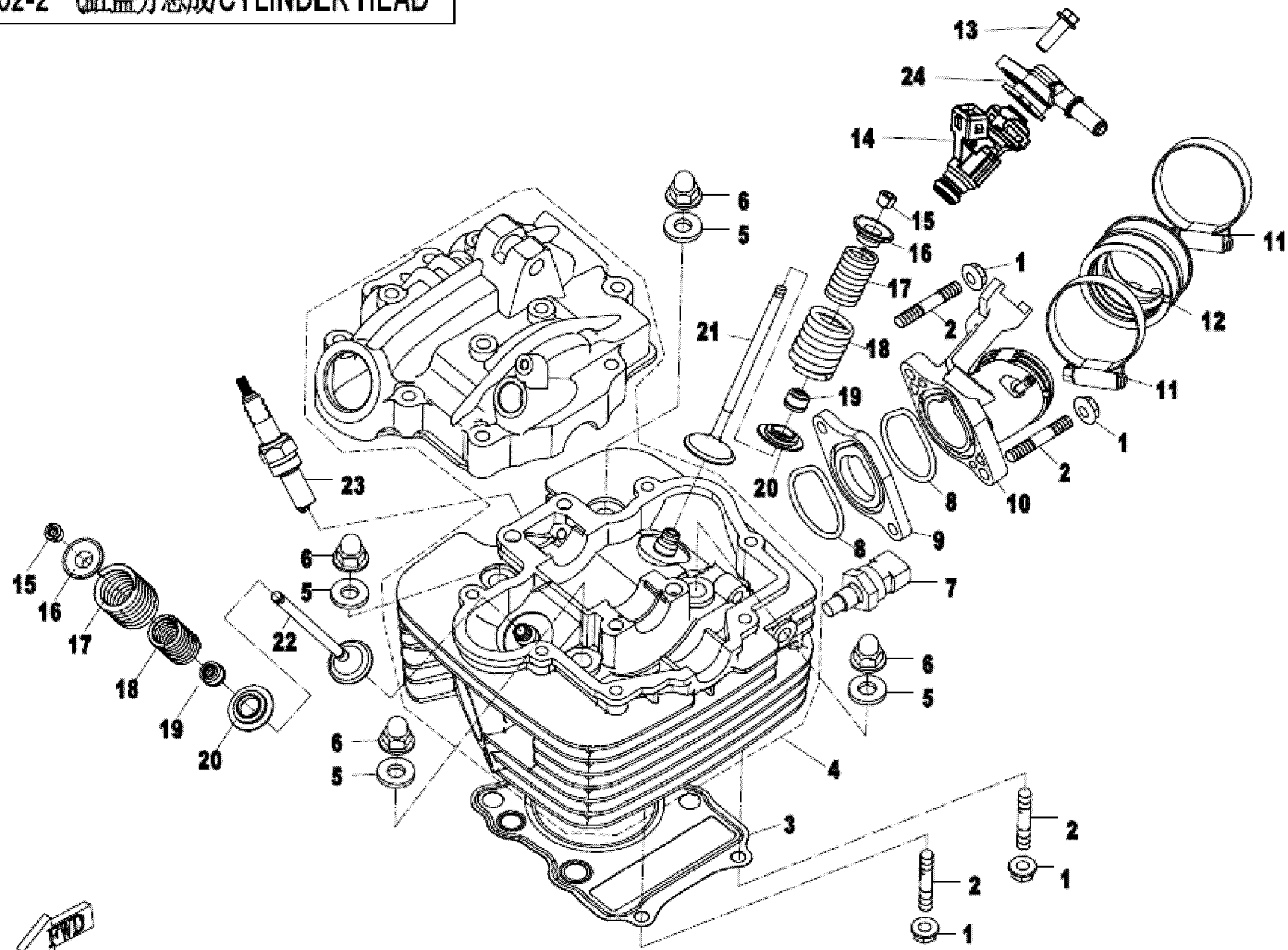
### E02-1 气缸盖罩分总成 CYLINDER HEAD COVER



## E02-2 气缸盖分总成 CYLINDER HEAD ASSY.

Item No.	Parts Number	Parts Name(EN)	Qty	Specification	Remark(s)	MOQ	Alternative Parts
01	30204-060810	NUT	4	M6		10	
02	30011-060025820	STUD	4	M6x25		6	
03	0C10-022008	CYLINDER HEAD GASKET	1			1	
04	0KIV-0220A0-0B200	NDER HEAD+CYLINDER HEAD COVER	1			1	
05	0010-022012	WASHER 8	4	8		6	
06	0010-022013-00002	NUT	4	M8		6	
07	0KIA-022005	CYLINDER HEAD TEMP. SENSOR	1			1	
08	0KIA-022003	INJECTOR SEAT SEAL RING	2			6	
09	0KIA-022002	FUEL INJECTOR SEAT HEAT INSULATOR	1			6	
10	0KIV-022201-4001	FUEL INJECTOR SEAT	1			1	
10	0KIV-022201-4002	INJECTOR SEAT	1			1	
11	30603-050000	CLAMP	2	D50		1	
12	0KIA-022004-00001	CONNECTING PIPE, THROTTLE BODY	1			1	
13	0010-023008-00001	BOLT	1			6	
14	0KIV-171000-4000	INJECTOR ASSY	1			1	
15	0C10-022006	LOCK CLIP, VALVE	4			1	
16	0C10-022005	SPRING PLATE, VALVE	2			1	
17	0A70-022003	INNER SPRING, VALVE	2			1	
18	0A70-022004	OUTER SPRING, VALVE	2			1	
19	0010-022500-10000	SEAL RING, VALVE STEM	2			2	
20	0C10-022007	SEAT, VALVE SPRING	2			1	
21	0C10-022001	VALVE, INTAKE	1			1	
22	0C10-022002	EXHAUST VALVE	1			1	
23	0KIV-022400-4000	SPARK PLUG ASSY	1			1	
24	0KIV-170010-4000	INJECTOR CAP	1			1	

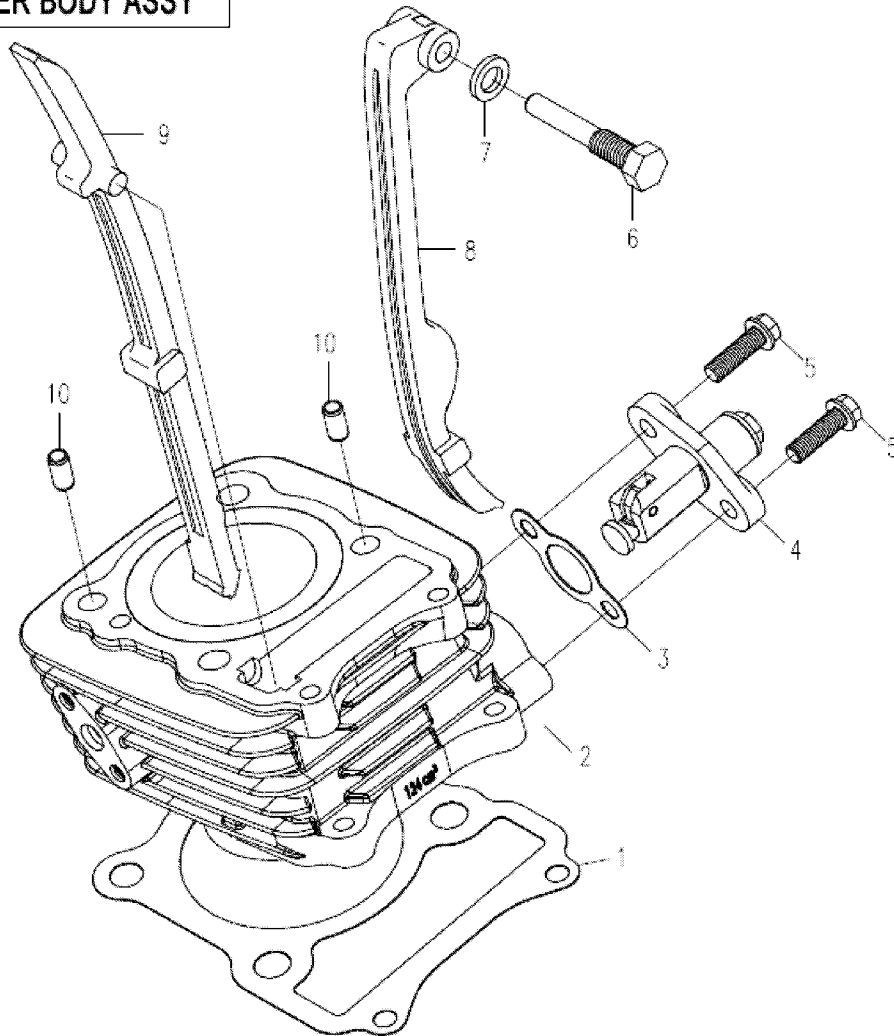
# E02-2 气缸盖分总成/CYLINDER HEAD



## E02-3 气缸分总成 CYLINDER BODY ASSY.

Item No.	Parts Number	Parts Name(EN)	Qty	Specification	Remark(s)	MOQ	Alternative Parts
01	0C10-023004-10000	CYLINDER BODY GASKET	1			1	
02	0C10-023100-0B20	CYLINDER ASSY	1	MATTE BLACK		1	
03	0A70-023001-0G30	GASKET,TENSIONER	1	MUSTARD GREEN		1	
04	0C10-023200-1B200	TENSIONER ASSY	1			1	
05	0010-023010-0010	BOLT M6x20	2	GALVANIZED TRIVALENT CHROMIUM		6	0JWV-011107-3000
06	0180-023007-00001	TENSIONER PLATE BOLT M8x39.5	1	GALVANIZED TRIVALENT CHROMIUM		6	0180-023007-0010
07	0010-021016	WASHER 8	1	8		6	
08	0A70-023300	TENSION PLATE ASSY	1			1	
09	0A70-023400	CHAIN GUIDE	1			1	
10	0C10-011007	DOWEL PIN	2	Dia11x16		1	

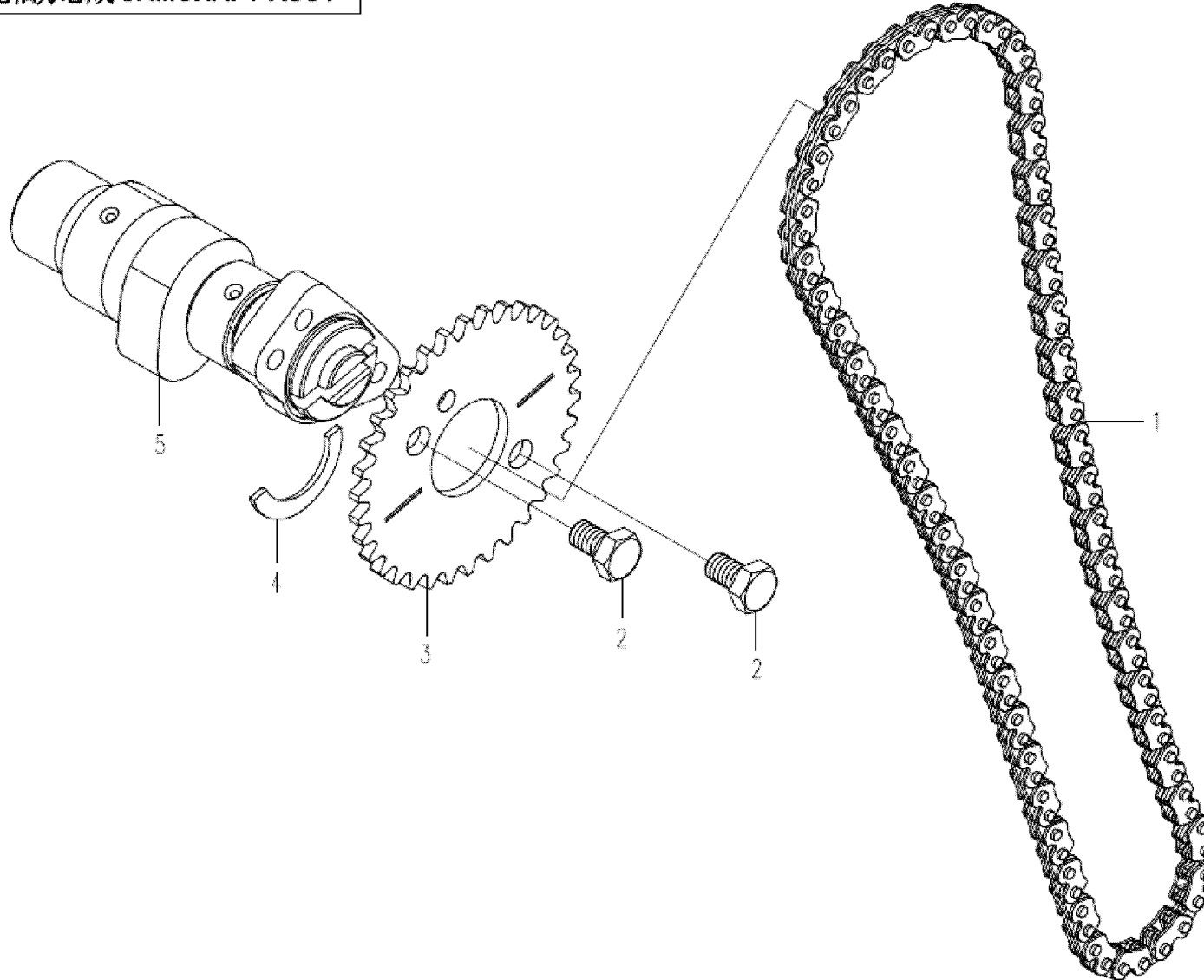
### E02-3 气缸分总成 CYLINDER BODY ASSY



## E02-4 凸轮轴分总成 CAMSHAFT ASSY.

Item No.	Parts Number	Parts Name(EN)	Qty	Specification	Remark(s)	MOQ	Alternative Parts
01	0A70-024100	TIMING CHAIN	1			1	
02	30004-060010150	BOLT M6x10	2	M6x10		6	
03	0A70-024002	TIMING SPROCKET	1			1	
04	0180-024004	CAMSHAFT SPACER	1			1	0180-024004-00001
05	0A70-024001	CAMSHAFT	1			1	0A80-024001

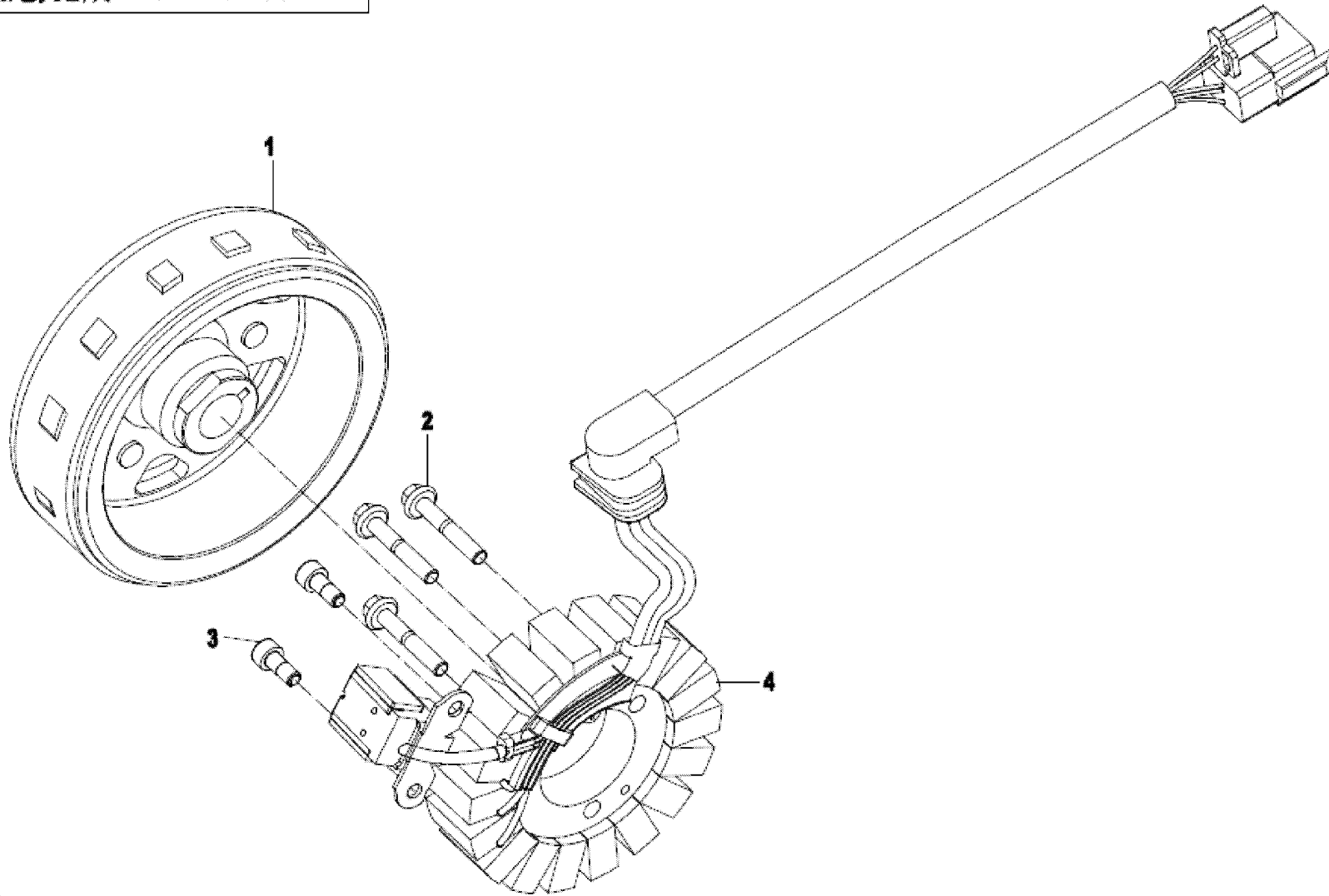
### E02-4 凸轮轴分总成/CAMSHAFT ASSY



## E03 磁电机总成 MAGNETO ASSY.

Item No.	Parts Number	Parts Name(EN)	Qty	Specification	Remark(s)	MOQ	Alternative Parts
01	0KIV-031000-4001	MAGNETO ROTOR ASSY	1			1	
02	0A70-014004-00002	BOLT M5x25	3	M5x25		6	
03	30102-050012810	SCREW	2	12@COLOR ZINC TRIVALENT CHROM		10	
04	0KIV-032000-4000	MAGNETO STATOR ASSY	1			1	

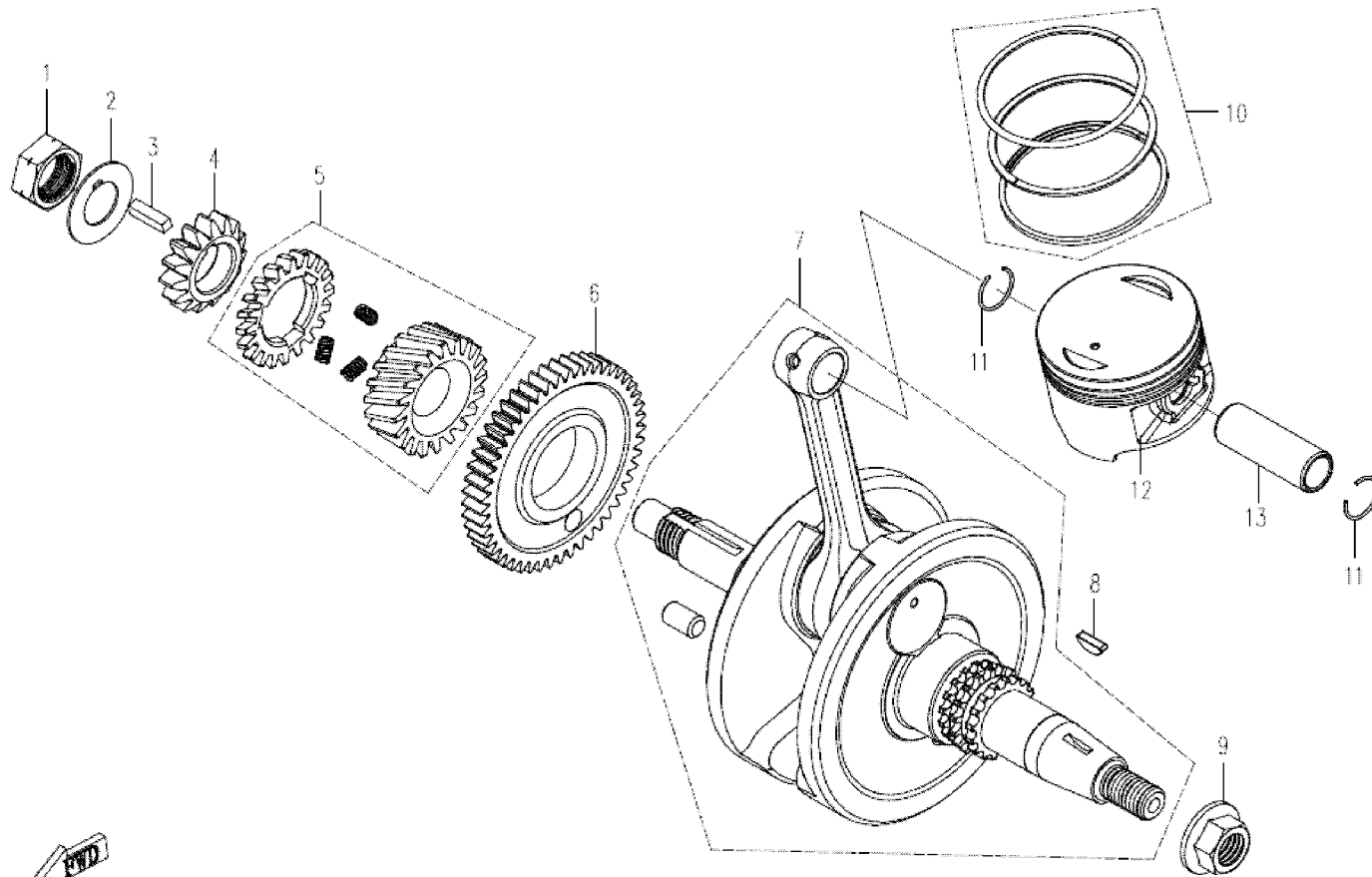
### E-03 磁电机总成 MAGNETO ASSY



## E04 曲柄连杆活塞总成 CRANKSHAFT /CONNECTING ROD & PISTON ASSY.

Item No.	Parts Number	Parts Name(EN)	Qty	Specification	Remark(s)	MOQ	Alternative Parts
01	0A70-040007	NUT M16	1	M16		6	
02	0A70-040008	LOCK WASHER	1			6	0A70-040008-00001
02	0A70-040008-00001	LOCK CIRCLIP	1			2	
03	3121100	GUIDE BLOCK B4x4x16	1	B4x4x16		6	
04	0A70-040009	DRIVE GEAR, OIL PUMP	1			1	
05	0A80-043000	PRIMARY DRIVEN GEAR ASSY	1			1	
06	0A80-040003	GEAR, CRANKSHAFT BALANCER	1			1	
07	0K12-041000	CRANKSHAFT CONNECTING ROD SUB ASSY	1			1	
08	0A70-040011	WOODRUFF KEY	1			1	
09	0110-052008-00002	NUT	1			6	
10	0A70-0400A0	PISTON RING ASSY	1			1	
11	0C10-040003	CIRCLIP, PISTON PIN	2			1	
12	0C10-040001	PISTON	1			1	
13	0C10-040002	PISTON PIN	1			1	0C1V-040002-1000-10

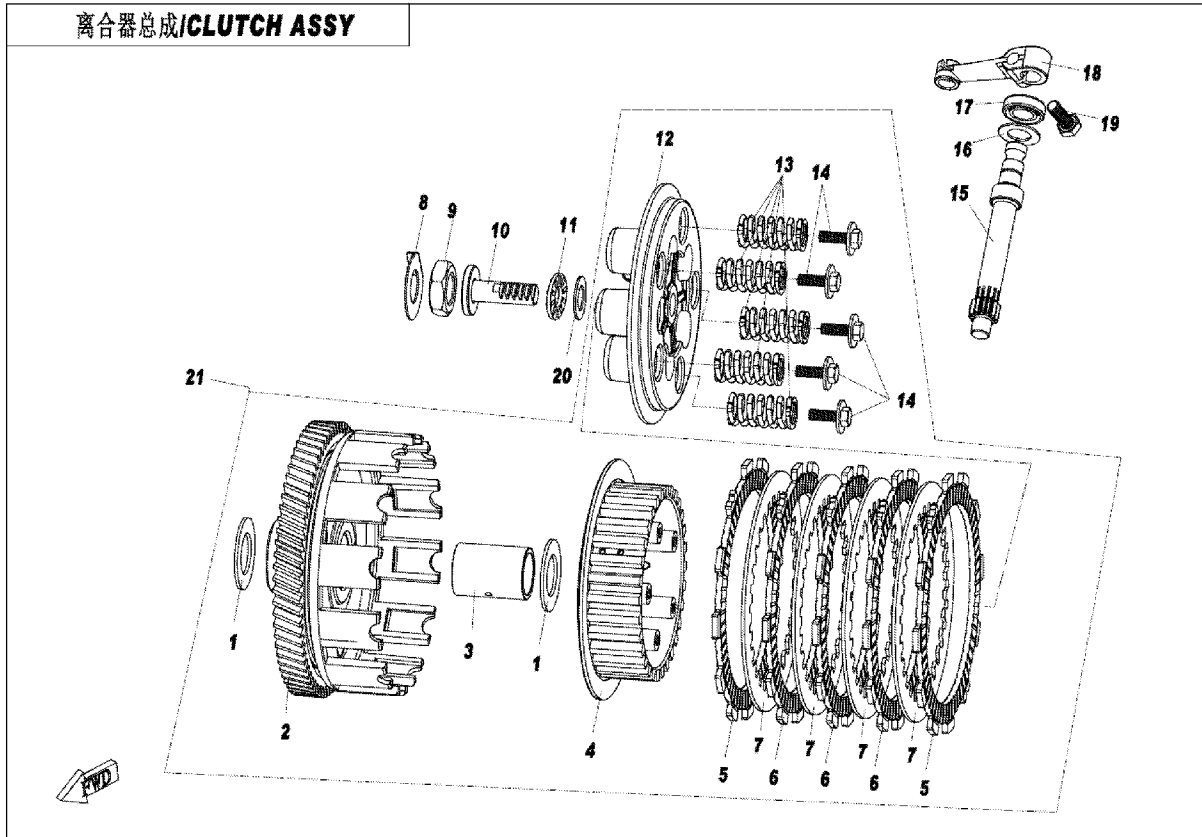
### E04 曲柄连杆活塞总成 CRANKSHAFT & PISTON



## E05 离合器总成 CLUTCH ASSY.

Item No.	Parts Number	Parts Name(EN)	Qty	Specification	Remark(s)	MOQ	Alternative Parts
01	0A70-050002	WASHER	2	20x34.5x2		6	
02	0A80-051100-00001	PRIMARY DRIVEN GEAR ASSY	1			1	
03	0A80-050001	BUSHING, PRIMARY DRIVEN GEAR	1			1	
04	0A70-051201-00001	CLUTCH HUB	1			1	
05	0KIV-050010-4000	CLUTCH DRIVE DISC 1	2			1	
06	0KIV-050020-4000	CLUTCH DRIVE DISC 2	3			1	
07	0A70-051202-00001	DRIVEN DISC, CLUTCH	4			1	
08	0A70-050004	LOCK WASHER	1			6	
09	0A70-050005	NUT	1	M16X1.5		6	
10	0A80-050006	CLUTCH ROD	1			1	
11	0A80-050030	THRUST BEARING AND BRACKET ASSY	1			1	
12	0A80-050008-00001	CLUTCH PRESSURE PLATE	1			1	
13	0A70-051204-00001	CLUTCH SPRING	5			1	
14	30112-050016410	SCREW ASSY	5	16@COLOR ZINC TRIVALENT CHROM		6	
15	0A80-050009	CLUTCH ROD	1			1	0A80-050009-00001
16	0A70-052002	WASHER	1	10x20x1		6	
17	0110-080005	OIL SEAL	1	10x20x5		1	
18	0A80-050005	SEPARATE SWING ARM	1			1	
19	0010-090005-0010	BOLT M6x16	1	GALVANIZED TRIVALENT CHROMIUM		6	
20	0A80-050004	WASHER	1			1	
21	0KIV-051000-4000	CLUTCH SUB ASSY	1			1	

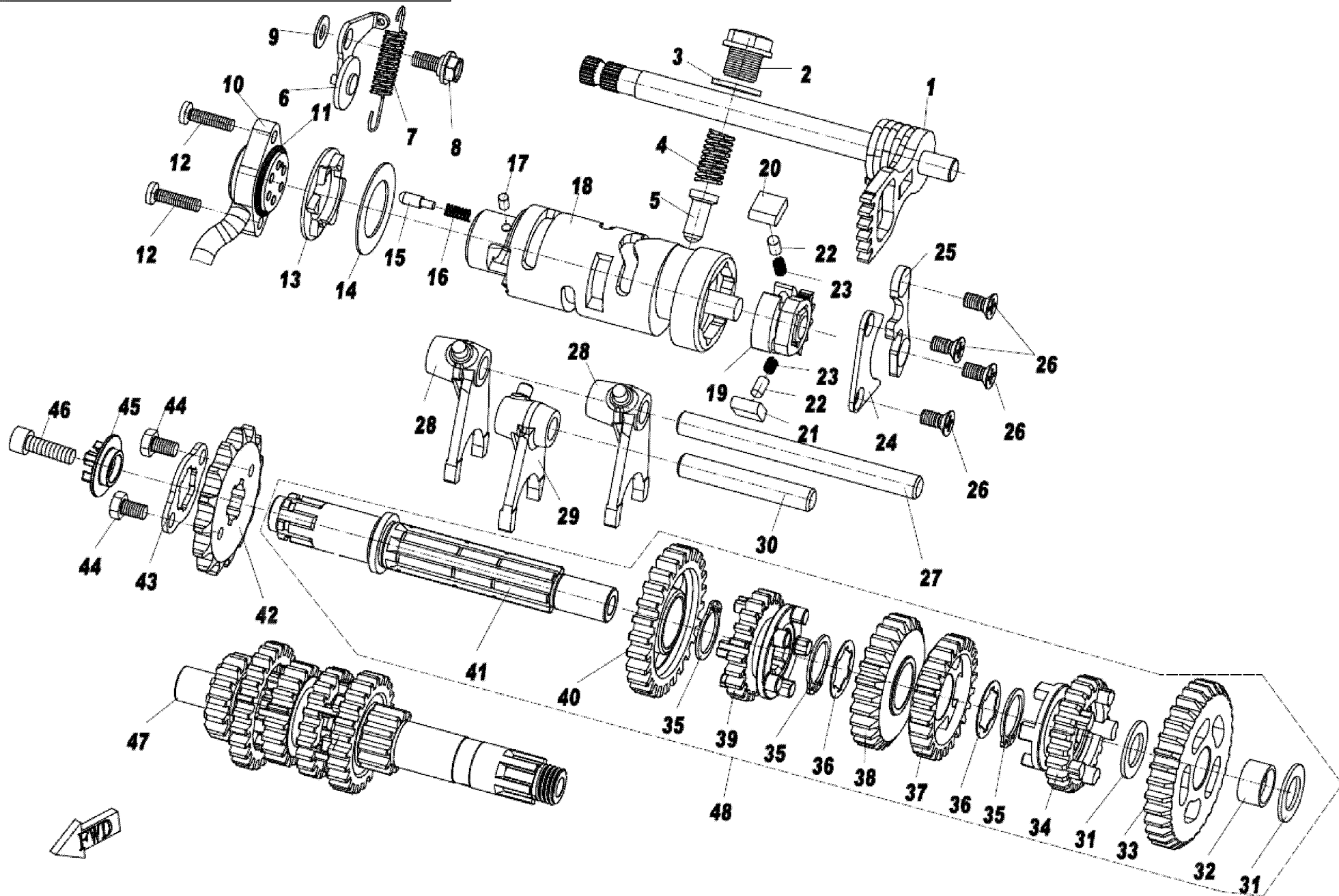
离合器总成/CLUTCH ASSY



E06 换挡变速总成 TRANSMISSION ASSY.

Item No.	Parts Number	Parts Name(EN)	Qty	Specification	Remark(s)	MOQ	Alternative Parts
01	0A80-063000-00001	GEARSHIFT LEVER ASSY	1			1	0A80-063000-00002
02	0180-021008-00001	BOLT	1	M14x1.25x12		2	
03	0180-011006	GASKET 14	1	14		6	
04	0A70-060012	SPRING, NEUTRAL	1			1	
05	0A70-060013	NEUTRAL STOPPER	1			1	
06	0A70-065100	CAM STOPPER	1			1	
07	0A70-065003	GEARSHIFT POSITION SPRING	1			6	
08	0A70-065001-00001	GEARSHIFT CAM BOLT	1			2	
09	0A70-065002	WASHER 6	1	6		6	
10	0DMV-066000-2701	GEAR CONTACTOR	1			1	
11	0A70-060014	O-RING	1	26.2x2.4		2	
12	30116-050020410	SCREW ASSY	2	20@COLOR ZINC TRIVALENT CHROM		6	
13	0A70-064002	CAM STOPPER	1			1	
14	0A70-064001	WASHER	1	25x40x1		2	
15	0A70-064004	GEAR SWITCH CONTACTOR	1			2	
16	0A70-064003	SPRING	1			2	
17	30901-0400600	PIN	1	φ4x6		6	
18	0A80-064200-00001	GEARSHIFT CAM HUB ASSY	1			1	
19	0A70-064100	DRIVEN GEAR, CAM	1			1	
20	0A70-064005	RH PAWL	1			1	
21	0A70-064008	LH PAWL	1			1	
22	0A70-064006	PIN, GEARSHIFT	2			2	
23	0A70-064007	SPRING	2			2	
24	0A70-060006	PAWL PLATE, GEARSHIFT	1			1	
25	0A70-060005	CAM GUIDE	1			1	
26	30107-060012410	SCREW	4	M6x12@COLOR ZINC-PLATED		6	
27	0A70-060003-00001	FORK SHAFT	1			1	
28	0A70-060004	SHIFT FORK	2			1	
29	0A70-060002	FORK, MIDDLE	1			1	
30	0A70-060001-00001	FORK SHAFT	1			1	
31	0A80-062009	WASHER	2	15x25x1.5		2	
32	0A80-062008	BUSHING	1			1	
33	0A80-062001	COUNTERSHAFT 1ND GEAR	1	33		1	
34	0A80-062005	COUNTERSHAFT 5ND GEAR	1	22		1	
35	0A80-061008	CIRCLIP	3			1	
36	0A80-062007	WASHER	2			2	
37	0A80-062004	COUNTERSHAFT 4ND GEAR	1	24		1	
38	0A80-062003	COUNTERSHAFT 3ND GEAR	1	26		1	
39	0A80-062006	COUNTERSHAFT 6ND GEAR	1	21		1	
40	0A80-062020	COUNTERSHAFT 2ND GEAR ASSY	1	26		1	
41	0KIA-062070-00001	COUNTERSHAFT ASSY	1			1	
42	0A80-060001	DRIVE SPROCKET	1			1	
43	0A80-060002	SPROKET GUARD	1			1	0A80-060002-00001
44	30004-060010850	BOLT M6x10	2	M6x10		10	
45	0KIA-060007	SPEED SENSOR DISC	1		NO ABS	1	
46	0110-090009-00002	INNER HEX SCREW	1		NO ABS	2	
46	0010-080008	DOWEL PIN	1	8X14	ABS	6	
47	0A80-061000-00002	MAIN SHAFT ASSY	1			1	
48	0KIA-062000-00001	COUNTERSHAFT ASSY	1			1	

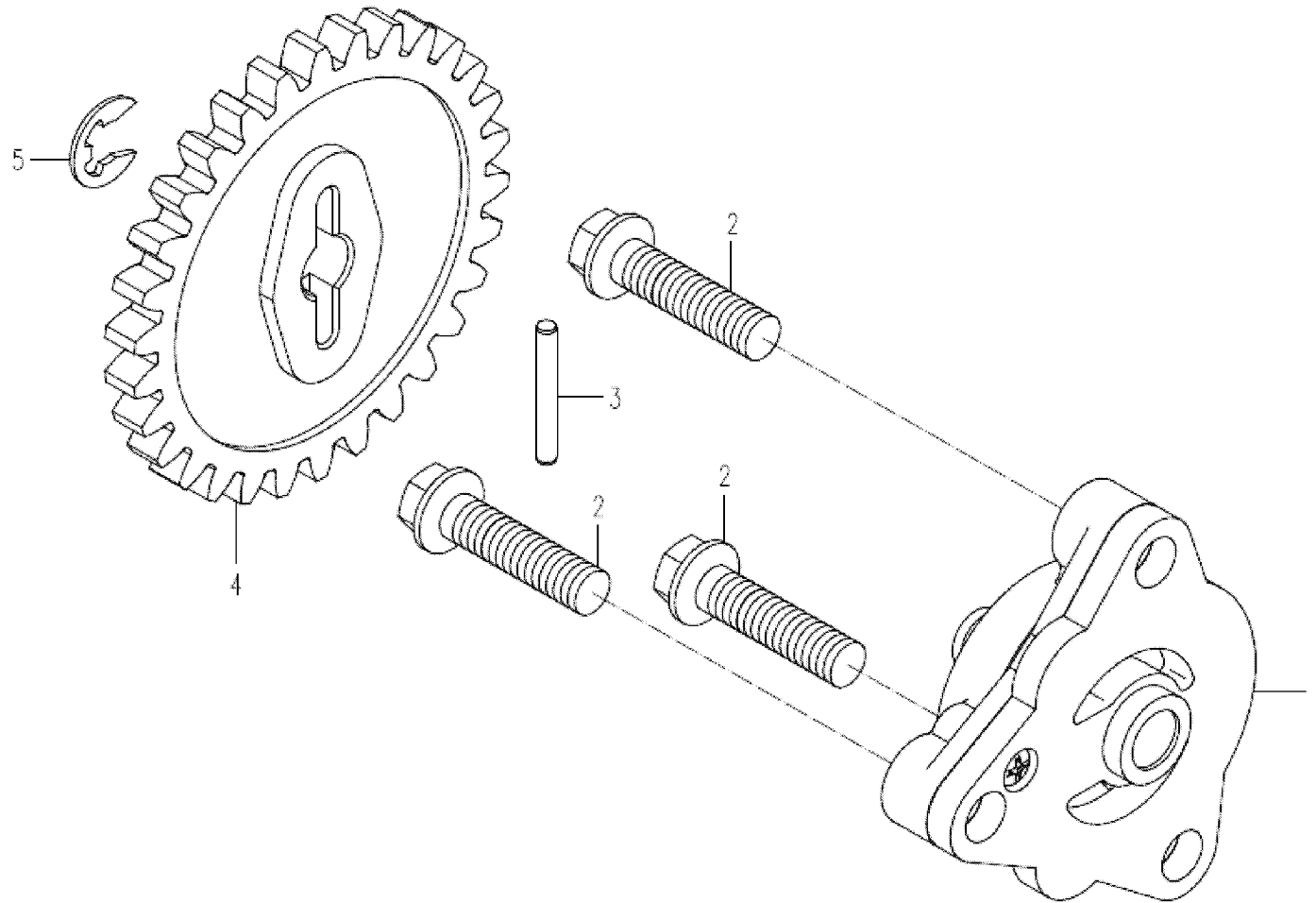
# 换挡变速总成/TRANSMISSION ASSY



## E07 机油泵总成 OIL PUMP ASSY.

Item No.	Parts Number	Parts Name(EN)	Qty	Specification	Remark(s)	MOQ	Alternative Parts
01	0A70-071000	OIL PUMP SUB ASSY	1			1	
02	0010-021017-0010	BOLT M6x25	3	GALVANIZED TRIVALENT CHROMIUM		6	
03	30406-00201	ROLLER NEEDLE	1	P2.5x22		1	
04	0A70-070001	DRIVEN GEAR, OIL PUMP	1			1	
05	30802-00605	SPLIT WASHER	1	6		10	

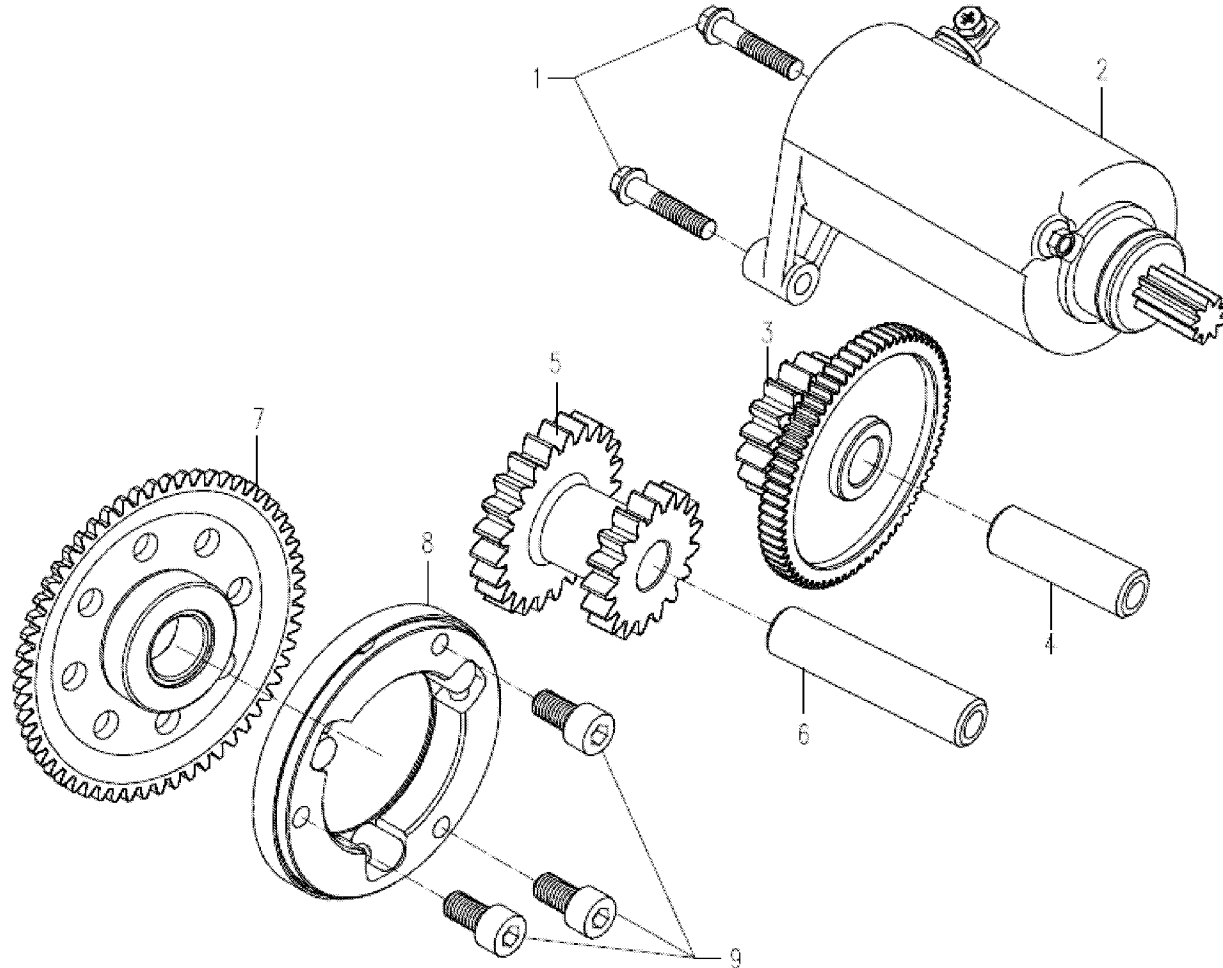
### E07 机油泵总成 OIL PUMP



E09 起动系统总成 ELECTRIC STARTING ASSY.

Item No.	Parts Number	Parts Name(EN)	Qty	Specification	Remark(s)	MOQ	Alternative Parts
01	0010-021017-0010	BOLT M6x25	2	GALVANIZED TRIVALENT CHROMIUM		6	
02	0A80-093000	STARTING MOTOR	1			1	
03	0A80-090001-00001	DUAL GEAR 1	1			1	
04	0A80-090003	SHAFT, DUAL GEAR I	1			1	
05	0A80-090002-00001	DUAL GEAR 2	1			1	
06	0A70-091002-00001	SHAFT, DUAL GEAR	1			1	
07	0A8A-092000	GEAR, STARTING MOTOR	1			1	
08	0A8A-094000	CLUTCH	1			1	
09	0A8A-090004-00002	SCREW	3	M8x16		6	

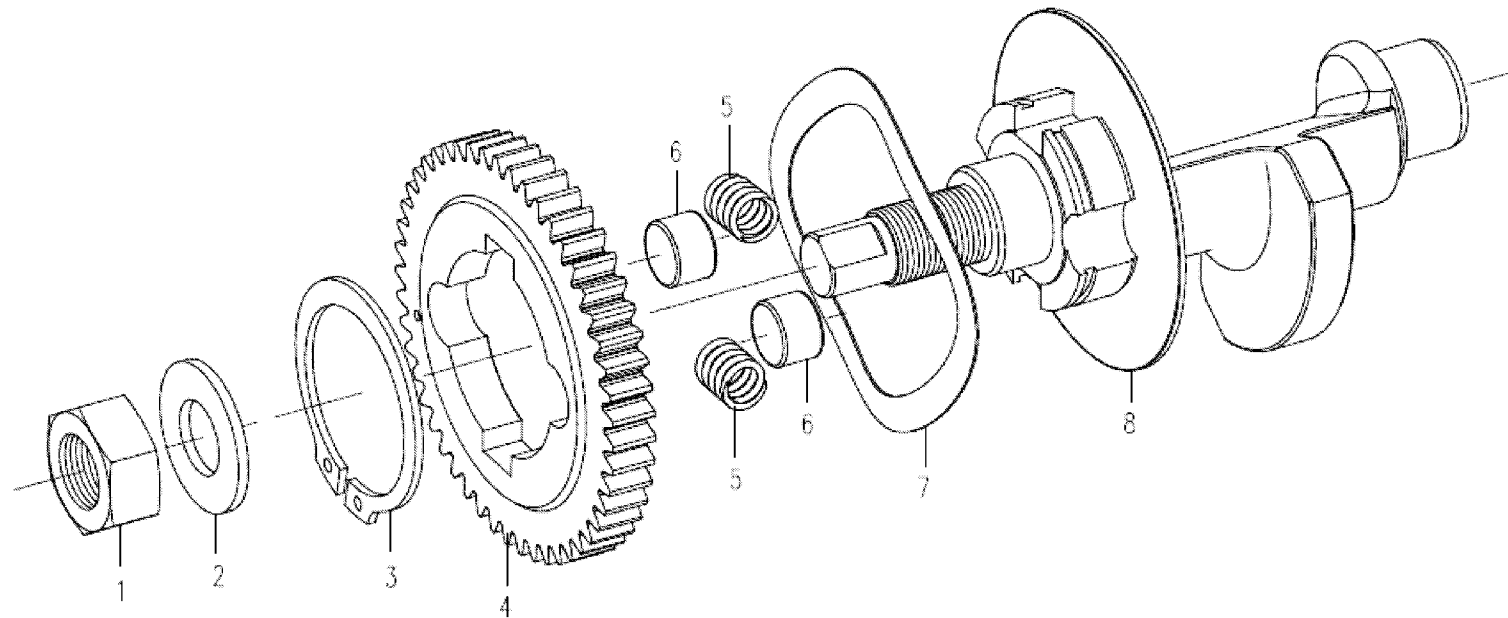
E09 起动系统总成 STARTING SYSTEM



## E16 平衡轴总成 BALANCE SHAFT ASSY.

Item No.	Parts Number	Parts Name(EN)	Qty	Specification	Remark(s)	MOQ	Alternative Parts
01	0110-051007-00002	NUT M14x1.5	1			1	
02	0010-051004	WASHER	1	14x28x2		1	
03	0A80-160005	CIRCLIP38	1	38		1	
04	0A80-160001	GEAR, BALANCE SHAFT	1			1	0A80-160001-00001
05	0A80-160004	BALANCER GEAR SPRING	2			1	
06	0A80-160003	DAMPER, BALANCE SHAFT GEAR	2			1	
07	0A80-160002	WASHER	1			1	
08	0KI2-161000	BALANCE SHAFT ASSY	1			1	

### E16 平衡轴总成 BALANCE SHAFT



E17 节气门体总成 THROTTLE BODY ASSY.

Item No.	Parts Number	Parts Name(EN)	Qty	Specification	Remark(s)	MOQ	Alternative Parts
01	0KIV-173000-4001	THROTTLE BODY	1			1	

节气门体总成 **THROTTLE BODY**

