

Block No.	Parts Name(CN)	Parts Name(EN)
F00	发动机安装附件	ENGINE FITTINGS
F01	锁具	LOCK KIT
F02	消声器	MUFFLER
F03	车架	FRAME
F04-1	塑料件I	PLASTICS 1
F04-2	塑料件II	PLASTICS 2
F04-3	塑料件III	PLASTICS 3
F04-4	塑料件IV	PLASTICS 4
F04-5	塑料件V	PLASTICS5
F04-6	塑料件VI	PLASTICS 6
F04-7	塑料件VII	PLASTICS 7
F05	前悬挂	FRONT SUSPENSION
F06	后悬架	REAR SUSPENSION
F07	前轮	FRONT WHEEL
F08-A	MAB液压制动总成	MAB BRAKE ASSY
F10	转向系统	STEERING SYSTEM
F11	后轮	REAR WHEEL
F12	油箱	FUEL TANK
F13	座垫	SEAT
F14-1	脚蹬	FOOTREST
F14-2	后扶手	REAR ARMREST
F15-A	电器系统(ABS)	ELECTRIC SYSTEM(ABS)
F16	灯具	LIGHTS
F17	仪表	DASHBOARD
F19-1	油箱警告标贴	WARNING LABEL,FUEL TANK
F19-2-A	贴花(星光黑)	DECAL(NEBULA BLACK)
F19-2-B	贴花(星光白)	DECAL(NEBULA WHITE)
F19-3	型号贴花	MODEL DECAL
F19-4	噪音标贴(澳大利亚)	NOISE LABEL(AUSTRALIA)
F20	随车工具	TOOLS
F36	燃油蒸发系统	FUEL VAPORIZATION SYSTEM
F38-A	说明书	OWNER'S MANUAL
F38-B	说明书(日本)	OWNER'S MANUAL (JAPAN)
F38-C	澳大利亚保修卡	AUSTRALIA WARRANTY CARD
F41	空滤器	AIR FILTER
E01-1	左曲轴箱分总成	LEFT CRANKCASE ASSY.
E01-2	右曲轴箱分总成	RIGHT CRANKCASE ASSY.
E01-3	右侧盖分总成	RIGHT SIDE COVER ASSY.
E01-4-V2	左侧盖分总成	LEFT SIDE COVER ASSY.
E02-1	气缸盖罩分总成	CYLINDER HEAD COVER ASSY.
E02-2	气缸盖分总成	CYLINDER HEAD ASSY.
E02-3	气缸分总成	CYLINDER BODY ASSY.
E02-4	凸轮轴分总成	CAMSHAFT ASSY.
E03	磁电机总成	MAGNETO ASSY.
E04	曲柄连杆活塞总成	CRANKSHAFT /CONNECTING ROD & PISTON ASSY.
E05	离合器总成	CLUTCH ASSY.
E06	换挡变速总成	TRANSMISSION ASSY.
E07	机油泵总成	OIL PUMP ASSY.
E09	起动系统总成	ELECTRIC STARTING ASSY.
E16	平衡轴总成	BALANCE SHAFT ASSY.
E17	节气门体总成	THROTTLE BODY ASSY.
E18	更换发动机	CHANGE A NEW ENGINE

Block No.	Block Name	Item No.	Parts Number	Parts Name(EN)	Qty	Specification	Remark(s)	MOQ	Alternative Parts
F00	ENGINE FITTINGS	1	6FIV-040011-7100	SMALL SPROCKET GUARD	1			1	
F00	ENGINE FITTINGS	2	0010-021017-0010	BOLT M6x25	1			1	
F00	ENGINE FITTINGS	3	0020-011018-00001	BOLT	2	GALVANIZED TRIVALENT CHROMIUM		6	
F01	LOCK KIT	01	6FIV-011000-2100	LOCK KIT	1			1	
F01	LOCK KIT	02	30102-080020810	SCREW	2	M8x20@TRIVALENT CHROMIUM		1	
F01	LOCK KIT	03	6FIV-010010-7100	SEAT CABLE	1			1	
F01	LOCK KIT	04	6GU#-010320-6000	SEAT LOCK SEAT	1			1	
F01	LOCK KIT	05	30006-060016810	BOLT	2	M6x16		10	
F01	LOCK KIT	06	6FIV-011020-7100	KEY	1			1	
F02	MUFFLER	1	6FIV-021100-1100	EXHAUST PIPE ASSY	1			1	
F02	MUFFLER	2	30102-080025810	SCREW	2	M8x25		10	
F02	MUFFLER	3	8AJV-004100-1000	OXYGEN SENSOR	1			1	
F02	MUFFLER	4	6090-020010	EXHAUST PORT GASKET	1	42x33x5		1	
F02	MUFFLER	5	30006-080035810	BOLT	3	M8x35		10	
F02	MUFFLER	6	6WWW-020002-5001	BUSHING, MUFFLER BODY	6			1	
F02	MUFFLER	7	6WWW-020003-5000	RUBBER SLEEVE, MUFFLER BODY	3			1	
F02	MUFFLER	8	30204-080810	LOCK NUT	3	M8		10	
F02	MUFFLER	9	A000-020003	GRAPHITE SEAL BUSHING	1			1	
F02	MUFFLER	10	A000-020500	CLAMP ASSY 1	1			1	
F02	MUFFLER	11	6FIV-021200-9000	REAR MUFFLER BODY ASSY	1			1	
F02	MUFFLER	12	30006-060012810	BOLT	1	M6x12		10	
F03	FRAME	1	6FIV-030010-4100	IGNITION LOCK BRACKET	1			1	
F03	FRAME	2	30102-080016810	INNER HEX SCREW	2	M8x16		6	
F03	FRAME	3	30902-0400820	RIVET	2	φ4x8		6	30902-0401320
F03	FRAME	4	6FIA-190012	VIN PLATE	1			1	
F03	FRAME	5	5020-031001	RUBBER SLEEVE, FRONT LICENSE BRACKET	2			10	
F03	FRAME	6	6FIV-030020-4100	HEADLIGHT LOWER BRACKET	1			1	
F03	FRAME	7	30006-060012810	BOLT	4	M6x12		10	30006-060012870
F03	FRAME	8	6FJV-030100-1200	FRONT LH+RH PANEL ASSY	1			1	6FJ1-030100-1200
F03	FRAME	9	30006-060010810	BOLT	2	M6x10		10	
F03	FRAME	10	6AQV-021002-1000	BUSHING	3			1	
F03	FRAME	11	6WWW-030019-5000	RUBBER BUSHING	3			2	
F03	FRAME	12	30006-060022810	BOLT	3	M6x22		6	
F03	FRAME	13	6FIV-030002-7000	ABS BRACKET	1			1	
F03	FRAME	14	6FIV-031000-1100-01	FRAME ASSY	1			1	
F03	FRAME	15	30204-080810	LOCK NUT	8	M8		10	
F03	FRAME	16	5280-030004-1000	ENGINE FRONT SUSPENSION PLATE	1	MATT BLACK		1	
F03	FRAME	17	30006-080085810	BOLT	2	GB/15.789 M8x85		1	
F03	FRAME	18	30006-080075810	BOLT	4	M8x75		6	
F03	FRAME	19	30006-080090810	BOLT	1	M8x90		6	
F03	FRAME	20	30006-080050810	BOLT	1	M8x50		1	
F03	FRAME	21	6F12-030002	ENGINE LH UPPER BRACKET	1	ELECTROPHORESIS BLACK		1	
F03	FRAME	22	6FIV-030050-7100	ENGINE UPPER RH BRACKET	1			1	
F03	FRAME	23	6KJ0-030503	RUBBER PLUG	2			1	
F03	FRAME	24	A000-030006	SIDE BRACKET BOLT	1			10	
F03	FRAME	25	6KVV-030060-C000	SIDE STAND SPRING ASSY	1			1	
F03	FRAME	26	A000-030004	SPRING COLLAR, SIDE STAND	1			1	6L30-030071-10000
F03	FRAME	27	6FIV-030600-7101	SIDE STAND ASSY	1			1	
F03	FRAME	28	30208-102010	NUT	1	M10x1.25		10	
F03	FRAME	29	30006-060035810	BOLT	1	M6x35		6	
F03	FRAME	30	6KJ0-030510	CHAIN GUARD ASSY	1			1	
F03	FRAME	31	6WWW-020002-5001	BUSHING, MUFFLER BODY	6			1	
F03	FRAME	32	6WWW-020003-5000	RUBBER SLEEVE, MUFFLER BODY	3			1	
F03	FRAME	33	8080-040064	FRONT FENDER DAMPER	1			1	
F03	FRAME	34	6WWW-046702-5000	INNER HEX SCREW M6x12	1			10	6WWW-046802-5000
F03	FRAME	35	6FIV-030000-7100	REAR FENDER ASSY	1			1	
F03	FRAME	36	6FIV-030009-7100	REAR LICENSE BRACKET	1			1	
F04-1	PLASTICS 1	1	6WWW-047102-5000	INNER HEX SCREW M5x14	5			10	
F04-1	PLASTICS 1	2	6FIV-041603-4100	WINDSHIELD	1			1	
F04-1	PLASTICS 1	3	6FIV-041604-4100	DASHBOARD LOWER GUARD	1			1	
F04-1	PLASTICS 1	4	6AQV-041117-1002	USB PLUG COVER	1			1	
F04-1	PLASTICS 1	5	6FIV-040101-4100	IGNITION LOCK GUARD	1			1	
F04-1	PLASTICS 1	6	6FIV-040512-7100	PIPE UPPER COVER	1			1	
F04-1	PLASTICS 1	7	6FIV-040511-7100	FRONT SHOCK ABSORBER UPPER COVER	2			1	
F04-1	PLASTICS 1	8	6FIV-041601-4100-0BU00	HEADLIGHT PANEL	1	JET BLACK		1	
F04-1	PLASTICS 1	8	6FIV-041601-4100-0BM00	HEADLIGHT PANEL	1	NEBULA BLACK		1	
F04-1	PLASTICS 1	9	6KJM#-040081-8000-M1	NUT CLIP M5	5			10	
F04-1	PLASTICS 1	10	30110-421130010	SELF-TAPPING SCREW	2	ST4.2x1.3@COLOR ZINC TRIVALENT CHROMIUM		10	30110-420130070
F04-1	PLASTICS 1	11	6FIV-041602-4100	HEADLIGHT BACKBOARD	1			1	
F04-1	PLASTICS 1	12	30110-420160070	SELF-TAPPING SCREW	6	ST4.2x1.6		10	
F04-1	PLASTICS 1	13	6WWW-046602-5000	INNER HEX STEPPED SCREW M6x14	2			10	
F04-1	PLASTICS 1	14	8010-000002	CLAMP	2	ST4.2		6	F07V-040002-1000
F04-2	PLASTICS 2	1	6FIV-041203-7101-0BM00	FUEL TANK RH PANEL	1	NEBULA BLACK		1	
F04-2	PLASTICS 2	1	6FIV-041203-7101-0VE00	FUEL TANK RH PANEL	1	NEBULA WHITE		1	
F04-2	PLASTICS 2	2	8010-000002	CLAMP	6	ST4.2		10	F07V-040002-1000
F04-2	PLASTICS 2	3	30110-421130010	SELF-TAPPING SCREW	17	ST4.2x1.3@COLOR ZINC TRIVALENT CHROMIUM		6	30110-420130070
F04-2	PLASTICS 2	4	6KJM#-040081-8000-M1	NUT CLIP M5	6			10	
F04-2	PLASTICS 2	5	6WWW-046502-5000	STEPPED SCREW M5	9			10	5BWW-040017-5000
F04-2	PLASTICS 2	6	6FIV-040401-7100	MUSHROOM HEAD RUBBER BOOT	4	SLOTTED HOLE IN PLASTIC PART		1	
F04-2	PLASTICS 2	7	6WWW-045801-5000	RUBBER	2			2	
F04-2	PLASTICS 2	8	9060-040310	CLAMP ASSY	2			10	
F04-2	PLASTICS 2	9	6WWW-047102-5000	INNER HEX SCREW M5x14	3			10	
F04-2	PLASTICS 2	10	6WWW-046802-5000	INNER HEX SCREW M6x16	1			10	
F04-2	PLASTICS 2	11	6090-040302	CUSHION SLEEVE	1			10	
F04-2	PLASTICS 2	12	6090-040303	BUSHING	1			10	
F04-2	PLASTICS 2	13	6FIV-041201-7103-0BM00	FUEL TANK UPPER PANEL	1	NEBULA BLACK		1	
F04-2	PLASTICS 2	13	6FIV-041201-7103-0VE00	FUEL TANK UPPER PANEL	1	NEBULA WHITE		1	
F04-2	PLASTICS 2	14	30110-420095010	SELF-TAPPING SCREW	2	ST4.2x9.5@COLOR ZINC-PLATED		10	
F04-2	PLASTICS 2	15	8080-041130	EXPANSION RIVET ASSY	2			10	
F04-2	PLASTICS 2	16	6FIV-041205-4101	FUEL TANK FRONT RH PANEL	1			1	
F04-2	PLASTICS 2	17	6FIV-041204-4101	FUEL TANK FRONT LH PANEL	1			1	
F04-2	PLASTICS 2	18	6FIV-041202-7101-0BM00	FUEL TANK LH PANEL	1	NEBULA BLACK		1	
F04-2	PLASTICS 2	18	6FIV-041202-7101-0VE00	FUEL TANK LH PANEL	1	NEBULA WHITE		1	
F04-2	PLASTICS 2	19	6FIV-040102-7100	SEAT LOCK BRACKET	1			1	
F04-2	PLASTICS 2	20	30105-050012410	SCREW	2	M5x12		1	
F04-2	PLASTICS 2	21	6AQV-110031-7100	FENDER RUBBER 1	1			1	
F04-3	PLASTICS 3	1	6WWW-046502-5000	STEPPED SCREW M5	9			10	5BWW-040017-5000
F04-3	PLASTICS 3	1	6FIV-040302-4100-0VE00	FRONT RH PANEL	1	NEBULA WHITE		1	
F04-3	PLASTICS 3	2	6FIV-040302-4100-0R200	FRONT RH PANEL	1	BETROOT PINK		1	

F04-3	PLASTICS 3	3	6FIV-040308-4100-0VF00	FRONT RH PANEL DECO PART	1	MERCURY SILVER	1	
F04-3	PLASTICS 3	3	6FIV-040308-4100-0RM00	FRONT RH PANEL DECO PART	1	MAGMA RED	1	
F04-3	PLASTICS 3	4	8010-000002	CLAMP	2	ST4.2	6	F07V-040002-1000
F04-3	PLASTICS 3	5	6KM#-040081-8000-M1	NUT CLIP M5	8		10	
F04-3	PLASTICS 3	6	30110-421130010	SELF-TAPPING SCREW	4	ST4.2x13@COLOR ZINC TRIVALENT CHROMIUM	10	30110-420130070
F04-3	PLASTICS 3	7	6WWW-046602-5000	INNER HEX STEPPED SCREW M6x14	2		10	
F04-3	PLASTICS 3	8	6FIV-040309-4101-0VE00	PIPE LOWER PLATE	1	NEBULA WHITE	1	
F04-3	PLASTICS 3	8	6FIV-040309-4101-0BM00	PIPE LOWER PLATE	1	NEBULA BLACK	1	
F04-3	PLASTICS 3	9	6FIV-040307-1200-0RM00	FRONT LH PANEL DECO PART	1	MAGMA RED	1	
F04-3	PLASTICS 3	9	6FIV-040307-1200-0VF00	FRONT LH PANEL DECO PART	1	MERCURY SILVER	1	
F04-3	PLASTICS 3	10	6FIV-040301-4100-0VE00	FRONT LH PANEL	1	NEBULA WHITE	1	
F04-3	PLASTICS 3	10	6FIV-040301-4100-0RZ00	FRONT LH PANEL	1	BEE TROOT PINK	1	
F04-3	PLASTICS 3	11	6AQV-110031-7100	FENDER RUBBER 1	6		1	
F04-4	PLASTICS 4	1	6FIV-040501-1200-0BM00	FRONT FENDER	1	NEBULA BLACK	1	
F04-4	PLASTICS 4	1	6FIV-040501-1200-0BU00	FRONT FENDER	1	JET BLACK	1	
F04-4	PLASTICS 4	2	6WWW-046502-5000	STEPPED SCREW M5	5		10	5BWW-040017-5000
F04-4	PLASTICS 4	3	6FIV-040502-1200	FRONT FENDER REAR PART	1		1	
F04-4	PLASTICS 4	4	6WWW-046602-5000	INNER HEX STEPPED SCREW M6x14	6		10	
F04-4	PLASTICS 4	5	6FIV-040514-1200	FRONT RH SHOCK ABSORBER DECO PART	1		1	
F04-4	PLASTICS 4	6	6FIV-040513-1200	FRONT LH SHOCK ABSORBER DECO PART	1		1	
F04-5	PLASTICS5	1	6FIV-040601-7100	REAR INNER FENDER	1		1	
F04-5	PLASTICS5	2	6WWW-046602-5000	INNER HEX STEPPED SCREW M6x14	5		10	
F04-5	PLASTICS5	3	6FIV-040602-7101	REAR INNER FENDER INNER COVER	1		1	
F04-5	PLASTICS5	4	30118-420095010	SELF-TAPPING SCREW	3	ST4.2x9.5@TRIVALENT CHROMIUM	10	
F04-5	PLASTICS5	5	30110-421130010	SELF-TAPPING SCREW	7	ST4.2x13@COLOR ZINC TRIVALENT CHROMIUM	10	30110-420130070
F04-5	PLASTICS5	6	6FIV-040611-7100	REAR FENDER	1		1	6FIV-040611-7101
F04-5	PLASTICS5	7	6KM#-040081-8000-M1	NUT CLIP M5	1		10	
F04-5	PLASTICS5	8	6WWW-047102-5000	INNER HEX SCREW M5x14	1		10	
F04-5	PLASTICS5	9	6KM#-040302-8000	CUSHION SLEEVE	6		1	
F04-5	PLASTICS5	10	6090-040303	BUSHING	6		10	
F04-5	PLASTICS5	11	6WWW-046902-5000	INNER HEX SCREW M6x20	3		10	
F04-5	PLASTICS5	12	30204-060810	NUT	3	M6	10	
F04-5	PLASTICS5	13	6WWW-047102-5000	INNER HEX SCREW M5x14	3		10	
F04-5	PLASTICS5	14	6FIV-040612-7100	REAR FENDER INNER COVER	1		1	
F04-5	PLASTICS5	15	6FIV-041512-7101	LICENSE LIGHT LOWER COVER	1		1	6FIV-041512-7102
F04-5	PLASTICS5	16	6FIV-041511-7101	LICENSE LIGHT UPPER COVER	1		1	6FIV-041511-7102/6FIV-041511-7102
F04-6	PLASTICS 6	1	6FIV-040316-7100-0VR00	RH SIDE COVER DECO PART	1	ELECTRO SILVER	1	
F04-6	PLASTICS 6	1	6FIV-040314-7100-0BU00	RH SIDE COVER DECO PART	1	JET BLACK	1	
F04-6	PLASTICS 6	2	6FIV-040312-7101	RH SIDE COVER	1		1	
F04-6	PLASTICS 6	3	30110-421130010	SELF-TAPPING SCREW	6	ST4.2x13@COLOR ZINC TRIVALENT CHROMIUM	10	30110-420130070
F04-6	PLASTICS 6	4	6WWW-046502-5000	STEPPED SCREW M5	4		10	5BWW-040017-5000
F04-6	PLASTICS 6	5	6FIV-040401-7100	MUSHROOM HEAD RUBBER BOOT	2	SLOTTED HOLE IN PLASTIC PART	1	
F04-6	PLASTICS 6	6	6FIV-040313-7100-0VR00	SIDE COVER DECO PART	1	ELECTRO SILVER	1	
F04-6	PLASTICS 6	6	6FIV-040313-7100-0BU00	LH SIDE COVER DECO PART	1	JET BLACK	1	
F04-6	PLASTICS 6	7	6FIV-040311-7101	LH SIDE COVER	1		1	
F04-6	PLASTICS 6	8	6FIV-041501-7100	ELECTRICAL BOX	1		1	
F04-6	PLASTICS 6	9	6WWW-046602-5000	INNER HEX STEPPED SCREW M6x14	2		10	
F04-6	PLASTICS 6	10	6FIV-041502-7100	BATTERY BOX	1		1	
F04-6	PLASTICS 6	11	6WWW-046702-5000	INNER HEX SCREW M6x12	3		10	6WWW-046802-5000
F04-6	PLASTICS 6	12	9010-120008	SPONGE PAD, FUEL TANK	5		10	
F04-7	PLASTICS 7	1	30110-420095010	SELF-TAPPING SCREW	2	ST4.2x9.5@COLOR ZINC-PLATED	10	
F04-7	PLASTICS 7	2	6WWW-046602-5000	INNER HEX STEPPED SCREW M6x14	4		10	
F04-7	PLASTICS 7	3	6FIV-041614-4100-0VF00	TAIL LIGHT RH PANEL	1	NEBULA WHITE	1	
F04-7	PLASTICS 7	3	6FIV-041614-4100-0BM00	TAIL LIGHT RH PANEL	1	NEBULA BLACK	1	
F04-7	PLASTICS 7	4	6WWW-046802-5000	INNER HEX SCREW M6x16	2		10	
F04-7	PLASTICS 7	5	6090-040303	BUSHING	2		10	
F04-7	PLASTICS 7	6	6KM#-040302-8000	CUSHION SLEEVE	1		1	
F04-7	PLASTICS 7	7	8080-041130	EXPANSION RIVET ASSY	4		1	
F04-7	PLASTICS 7	8	30110-421130010	SELF-TAPPING SCREW	8	ST4.2x13@COLOR ZINC TRIVALENT CHROMIUM	10	30110-420130070
F04-7	PLASTICS 7	9	6NQ#-000202-6001	CONVEX BOLT	2		6	
F04-7	PLASTICS 7	10	6FIV-041615-4100-0BM00	TAIL LIGHT UPPER PANEL	1	NEBULA BLACK	1	
F04-7	PLASTICS 7	10	6FIV-041615-4100-0VE00	TAIL LIGHT UPPER PANEL	1	NEBULA WHITE	1	
F04-7	PLASTICS 7	11	6FIV-041611-9000	TAIL LIGHT COVER	1		1	
F04-7	PLASTICS 7	12	6FIV-041613-4100-0VE00	TAIL LIGHT LH PANEL	1	NEBULA WHITE	1	
F04-7	PLASTICS 7	12	6FIV-041613-4100-0BM00	TAIL LIGHT LH PANEL	1	NEBULA BLACK	1	
F04-7	PLASTICS 7	13	6FIV-040321-7100	SUB-FRAME SKID PLATE	1		1	
F04-7	PLASTICS 7	14	6WWW-047102-5000	INNER HEX SCREW M5x14	2		10	
F04-7	PLASTICS 7	15	6FIV-040322-7100	SUB-FRAME HEAT INSULATION PLATE	1		1	
F05	FRONT SUSPENSION	1	0180-062107-00001	BEVEL GEAR LOCK NUT	1		1	
F05	FRONT SUSPENSION	2	8030-050006	UPPER TRIPLE CLAMP GASKET	1		1	
F05	FRONT SUSPENSION	3	6FIV-050001-4100	UPPER TRIPLE CLAMP	1		1	
F05	FRONT SUSPENSION	4	30102-080025870	INNER HEX SCREW M8x25	2	M8x25	10	
F05	FRONT SUSPENSION	5	5280-050004	LOCK NUT	1		1	
F05	FRONT SUSPENSION	6	5280-050100	UPPER STEERING BEARING ASSY	1		1	5280-050101+5280-050102+5280-050110
F05	FRONT SUSPENSION	7	5280-050200	LOWER STEERING BEARING ASSY	1		1	5280-050102+5280-050110+5280-050202
F05	FRONT SUSPENSION	8	6FIV-050300-4100	FRONT FORK PIPE LOWER TRIPLE CLAMP ASSY	1		1	
F05	FRONT SUSPENSION	9	30006-102035810	BOLT	2	M10x1.25x35	10	
F05	FRONT SUSPENSION	10	6FIV-050011-7000	RUBBER PLUG	1		1	
F05	FRONT SUSPENSION	11	6FIV-050100-7101-M1	FRONT LH SHOCK ABSORBER	1		1	
F05	FRONT SUSPENSION	12	6FIV-050200-7101-M1	FRONT RH SHOCK ABSORBER	1		1	
F05	FRONT SUSPENSION	13	6FIV-050401-7000	RUBBER PLUG	2		2	NO ABS
F05	FRONT SUSPENSION	14	30102-080030870	SCREW	2	M8x30	10	
F06	REAR SUSPENSION	1	6KMV-060010-8001	REAR SWING ARM DUST CAP 1	2		1	
F06	REAR SUSPENSION	2	6100-060008	REAR SWING ARM OUTER BUSHING	2		1	
F06	REAR SUSPENSION	3	6WWW-046602-5000	INNER HEX STEPPED SCREW M6x14	1		10	
F06	REAR SUSPENSION	4	6FIV-060001-7001	CHAIN GUARD	1		1	
F06	REAR SUSPENSION	5	6090-060005	ANTI-DUST RING	2		1	
F06	REAR SUSPENSION	6	6KJ0-060004-00001	REAR FORK RH INNER BUSHING	2		1	
F06	REAR SUSPENSION	7	6FIV-060300-7001	REAR FORK ASSY	1		1	
F06	REAR SUSPENSION	8	6FIV-060100-7100-M1	REAR SHOCK ABSORBER	1		1	
F06	REAR SUSPENSION	9	30006-102050810	BOLT	1	M10x1.25x50	10	
F06	REAR SUSPENSION	10	6KM#-100002-8000	CLUTCH LEVER PLUG	4		1	
F06	REAR SUSPENSION	11	30102-080016810	INNER HEX SCREW	3	M8x16	6	
F06	REAR SUSPENSION	12	6FIV-060020-7000	CHAIN ADJUSTER ASSY	2		1	
F06	REAR SUSPENSION	13	A000-060201-08P00	CHAIN ADJUSTER GUARD	2	MAUD SPIRIT BLACK	1	
F06	REAR SUSPENSION	14	30200-080810	NUT	4	M8	1	
F06	REAR SUSPENSION	15	6FIV-062300-7001	REAR FORK ASSEMBLY	1		1	
F07	FRONT WHEEL	01	6FIV-070001-7100	FRONT WHEEL SHAFT	1		1	
F07	FRONT WHEEL	02	6K30-070002	COLLAR, FRONT WHEEL AXLE	2		1	
F07	FRONT WHEEL	03	30705-1215	TIRE	1	FRONT TIRE	1	

F07	FRONT WHEEL	04	6FIV-070100-7100-08200	FRONT RIM ASSY	1				1
F07	FRONT WHEEL	05	6KJV-070103-8000	OIL SEAL	1				1
F07	FRONT WHEEL	06	30400-01280	BEARING	2		6201-2RS		1
F07	FRONT WHEEL	07	30204-122810	NUT	1		M12x1.25		10
F07	FRONT WHEEL	08	5190-070030-1000	VALVE, INFLATION	1				1
F07	FRONT WHEEL	09	6FIV-070102-6000	MIDDLE BUSHING, FRONT RIM	1				1
F08-A	MAB BRAKE ASSY	1	8010-080118	BRAKE DISC BOLT	6				10
F08-A	MAB BRAKE ASSY	2	6F13-080001	FRONT BRAKE DISC	1				1
F08-A	MAB BRAKE ASSY	3	6FIV-080003-7000	FRONT GEAR RING	1				1
F08-A	MAB BRAKE ASSY	4	30006-060012870	BOLTM6x12	2		BLACK ZINC-PLATED		10
F08-A	MAB BRAKE ASSY	5	6FIV-080004-7000-M1	SPEED SENSOR	1				1
F08-A	MAB BRAKE ASSY	6	30102-080025870	INNER HEX SCREW M8x25	2		M8x25		10
F08-A	MAB BRAKE ASSY	7	EAEV-080006-1000	CLIP, BRAKE HOSE	4				1
F08-A	MAB BRAKE ASSY	8	6FIV-081000-4401	ABS BRAKE ASSY	1				1
F08-A	MAB BRAKE ASSY	9	6FIV-080005-4100	BRAKE OIL HOSE CLASP	1				1
F08-A	MAB BRAKE ASSY	10	30102-050016870	SCREW	1		M5x16		1
F08-A	MAB BRAKE ASSY	11	30006-060012810	BOLT	1		M6x12		10
F08-A	MAB BRAKE ASSY	12	6WWW-047002-5000	INNER HEX SCREW M6x25	2				2
F08-A	MAB BRAKE ASSY	13	6FIV-080300-4100	REAR BRAKE PEDAL ASSY	1				1
F08-A	MAB BRAKE ASSY	14	6AQV-080400-1000	SPRING	1				1
F08-A	MAB BRAKE ASSY	15	A000-080006-10000	GASKET 1	1				1
F08-A	MAB BRAKE ASSY	16	6WWW-046702-5000	INNER HEX SCREW M6x12	1				10
F08-A	MAB BRAKE ASSY	17	30903-0162010	COTTER PIN	1		GB/T91_1.6x20		1
F08-A	MAB BRAKE ASSY	18	6FIV-080007-4101	BRAKE SWITCH LIMIT PLATE	1				1
F08-A	MAB BRAKE ASSY	19	6FIV-080003-4100	BRAKE SWITCH BRACKET	1				1
F08-A	MAB BRAKE ASSY	20	8010-000004	BOLT M6x14	1		M6x14		10
F08-A	MAB BRAKE ASSY	21	6FIV-080006-4101-M1	MECHANICAL BRAKE SWITCH ASSY	1				1
F08-A	MAB BRAKE ASSY	22	6NTV-080004-4101-M1	SPEED SENSOR	1				1
F08-A	MAB BRAKE ASSY	23	6FIV-080010-7000	REAR BRAKE DISC ASSY	1				1
F08-A	MAB BRAKE ASSY	24	6FIV-080220-71A0-M1	REAR BRAKE PAD ASSY	1				1
F08-A	MAB BRAKE ASSY	25	6FIV-080220-7100-M1	REAR BRAKE CALIPER ASSY	1				1
F08-A	MAB BRAKE ASSY	26	6KM#-081000-8100-20	WASHER	16				1
F08-A	MAB BRAKE ASSY	27	6KM#-080103-8101	PIPE BOLT	7				1
F08-A	MAB BRAKE ASSY	28	30904-0062270	PIN SHAFT	1				1
F08-A	MAB BRAKE ASSY	29	30903-0022070	COTTER PIN	1				1
F08-A	MAB BRAKE ASSY	30	6FIV-081100-4400-M1	ABS CONTROLLER	1				1
F08-A	MAB BRAKE ASSY	31	A000-080229-2000	SCREW, FLUID RESERVOIR CAP	2				1
F08-A	MAB BRAKE ASSY	32	6KMO-091201-20000	FLUID RESERVOIR CAP	1				1
F08-A	MAB BRAKE ASSY	33	6KMO-091202-20000	FLUID RESERVOIR SEALING LINER	1				1
F08-A	MAB BRAKE ASSY	34	6KMO-091203-20000	FLUID RESERVOIR SEALING GASKET	1				1
F08-A	MAB BRAKE ASSY	35	6KMO-081100-8000-20	BRAKE HANDLE	1				1
F08-A	MAB BRAKE ASSY	36	6KMO-081100-8100-M1	HAND BRAKE MASTER CYLINDER	1				1
F08-A	MAB BRAKE ASSY	37	6FIV-080120-71A0-M1	FRONT BRAKE PAD ASSY	1				1
F08-A	MAB BRAKE ASSY	38	6FIV-080120-7100-M1	FRONT BRAKE CALIPER ASSY	1				1
F08-A	MAB BRAKE ASSY	39	6FIV-0801010-4000	FRONT BRAKE FLUID INLET HOSE	1				1
F08-A	MAB BRAKE ASSY	40	6FIV-081020-4000	FRONT BRAKE FLUID OUTLET HOSE	1				1
F08-A	MAB BRAKE ASSY	41	6FIV-081200-4000-M1	REAR BRAKE MASTER CYLINDER	1				1
F08-A	MAB BRAKE ASSY	42	6FIV-090270-9200	REAR BRAKE FLUID INLET HOSE	1				1
F08-A	MAB BRAKE ASSY	43	6FIV-081040-7000	REAR BRAKE FLUID OUTLET HOSE	1				1
F08-A	MAB BRAKE ASSY	44	30304-006170	PLAIN WASHER	1		C CLASS		1
F10	STEERING SYSTEM	1	6F13-100020-10000	BALANCE BLOCK ASSY	2				1
F10	STEERING SYSTEM	2	5280-100020	RH HAND GRIP ASSY	1				1
F10	STEERING SYSTEM	3	6FIV-100100-4000-08L000	HANDLEBAR PIPE	1				1
F10	STEERING SYSTEM	4	30102-102035810	SCREW	2		M10x1.25x35		1
F10	STEERING SYSTEM	5	6FIV-100400-4000	THROTTLE CABLE	1				1
F10	STEERING SYSTEM	6	6FIV-100031-4000-08P000	HANDLEBAR BRACKET	2		MAUD SPIRIT BLACK		1
F10	STEERING SYSTEM	7	6FIV-100600-4000	CLUTCH CABLE	1				1
F10	STEERING SYSTEM	8	6FIV-100003-4000	HANDLEBAR COVER	1				1
F10	STEERING SYSTEM	9	30102-080025810	SCREW	4		M8x25		10
F10	STEERING SYSTEM	10	6L32-100006	HANDLEBAR SCREW DECO COVER	4				1
F10	STEERING SYSTEM	11	5280-100001	LH HAND GRIP	1				1
F10	STEERING SYSTEM	12	6F13-100300-10000	CLUTCH LEVER ASSY	1				1
F10	STEERING SYSTEM	13	6F13-100301	CLUTCH LEVER	1		ABS		1
F10	STEERING SYSTEM	14	6KJ0-100002	CLUTCH PULL BINDING	2				1
F10	STEERING SYSTEM	15	6FIV-167000-2000	RH HANDLEBAR SWITCH ASSEMBLY	1				1
F10	STEERING SYSTEM	16	6FIV-166000-4101	LH HANDLEBAR SWITCH ASSEMBLY	1				1
F11	REAR WHEEL	01	6FIV-110001-7100	REAR WHEEL SHAFT	1				1
F11	REAR WHEEL	02	30306-140112	WASHER	2		ø14		6
F11	REAR WHEEL	03	30200-080810	NUT	4		M8		1
F11	REAR WHEEL	04	6KJ0-110004	LOCK PAD	2				1
F11	REAR WHEEL	05	6F12-110003-10000	REAR SPROCKET	1				1
F11	REAR WHEEL	06	3120951	MOTORCYCLE CHAIN	1				1
F11	REAR WHEEL	07	6KJ0-110001-10000	REAR WHEEL RH SHAFT SLEEVE	2				1
F11	REAR WHEEL	08	6090-112100	SPROCKET SEAT ASSY	1				1
F11	REAR WHEEL	09	30006-050020810	OIL SEAL	2		FB27x47x7		1
F11	REAR WHEEL	10	30400-02001	BEARING	1		20x47x14		1
F11	REAR WHEEL	11	5280-112101	SHAFT SLEEVE	1				1
F11	REAR WHEEL	12	5190-070030-1000	VALVE, INFLATION	1				1
F11	REAR WHEEL	13	6KJ0-110003	BOLT	4				1
F11	REAR WHEEL	14	30705-1216	TIRE	1		REAR TIRE		1
F11	REAR WHEEL	15	6FIV-110100-6001-08200	REAR RIM ASSY	1		MATTE BLACK		1
F11	REAR WHEEL	16	6KJV-110004-8000	DAMPING RUBBER, SPROCKET SEAT	1				1
F11	REAR WHEEL	17	30400-01580	BEARING	1		6202-2RS		1
F11	REAR WHEEL	18	30204-143810	NUT	1		M14x1.5		10
F11	REAR WHEEL	19	6FIV-110102-6000	CENTER SPACER, REAR RIM	1				1
F11	REAR WHEEL	20	30400-01583	BEARING	1		6302-2RS		1
F12	FUEL TANK	1	30006-060025810	BOLT	4		M6x25		10
F12	FUEL TANK	2	5020-031002	RUBBER SLEEVE LINER	4		FOR FRONT LICENSE BRACKET		6
F12	FUEL TANK	3	5020-031001	RUBBER SLEEVE, FRONT LICENSE BRACKET	4				10
F12	FUEL TANK	4	6FJV-121000-1200	FUEL TANK ASSY	1				1
F12	FUEL TANK	5	30601-111010	CLAMP	1		A11@COLOR ZINC TRIVALENT CHROMIUM		6
F12	FUEL TANK	6	6KMO-120001-0000	FUEL TANK BREATHER HOSE	1				1
F12	FUEL TANK	7	6FIV-150900-2500	FUEL PUMP ASSY	1				1
F12	FUEL TANK	8	30006-050020810	BOLT	4		M5x20		6
F12	FUEL TANK	9	8AJV-120210-1000-M1	CLAMP	2				1
F12	FUEL TANK	10	6070-120400	CLAMP(Ø14.5)	2		Ø14.5		6
F12	FUEL TANK	11	6FIV-120030-7100	HIGH-PRESSURE FUEL HOSE ASSY	1				1
F12	FUEL TANK	12	8AJV-120220-1000-M1	QUICK JOINT	1				1
F13	SEAT	1	6FJV-130100-1300	SEAT ASSY	1		ABS		1
F13	SEAT	2	6KMO-130205	CUSHION RUBBER WAHSE	5				10

F14-1	FOOTREST	1	30204-143810	NUT	2	M14x1.5		10	
F14-1	FOOTREST	2	6F13-060007	REAR FORK SHAFT	1			1	
F14-1	FOOTREST	3	6WWW-046802-5000	INNER HEX SCREW M6x16	1			10	
F14-1	FOOTREST	4	30303-060152	WASHER	1	6		10	30303-060112
F14-1	FOOTREST	5	30301-060470	WASHER	1	φ6		1	
F14-1	FOOTREST	6	6F1V-142000-9200	FRONT LH FOOTREST ASSY	1			1	
F14-1	FOOTREST	7	30006-080040810	BOLT	2	M8x40		6	
F14-1	FOOTREST	8	6F1V-141000-9200	GEARSHIFT ASSY	1			1	
F14-1	FOOTREST	9	6F1V-143000-9200	FRONT RH FOOTREST ASSY	1			1	
F14-1	FOOTREST	10	A000-140180	REAR FOOTREST, RH	1			1	
F14-1	FOOTREST	11	A000-1401A0	REAR FOOTREST, LH	1			1	
F14-1	FOOTREST	12	A000-140142	PIN SHAFT 8	2	Dia 8		2	
F14-1	FOOTREST	13	A000-140106	LOCATING GASKET 2	2			2	
F14-1	FOOTREST	14	A000-140109	REAR RH FOOTREST	1			1	
F14-1	FOOTREST	15	5190-037813	SPRING	2			1	
F14-1	FOOTREST	16	5190-037814	STEEL BALL	2			2	
F14-1	FOOTREST	17	A000-140104	LOCATING GASKET 1	2			2	
F14-1	FOOTREST	18	30882-30603	SPLIT WASHER 6	2	GB/T896 6		2	6HV-140006-1000
F14-1	FOOTREST	19	A000-140108	REAR LH FOOTREST	1			1	
F14-1	FOOTREST	20	6F1V-140800-2500	REAR RH FOOTREST ASSY	1			1	
F14-1	FOOTREST	21	30102-080025810	SCREW	4	M8x25		10	
F14-1	FOOTREST	22	6F1V-140700-2500	REAR LH FOOTREST ASSY	1			1	
F14-1	FOOTREST	23	6KMO-130123	BOLT	2			1	
F14-1	FOOTREST	24	6WWW-140141-5000	PIN SHAFT	2			10	
F14-1	FOOTREST	25	A000-140103-20000	SPRING	2			1	
F14-1	FOOTREST	26	30300-100112	WASHER	2	φ10		10	
F14-1	FOOTREST	27	30903-0322210	COTTER PIN	2	φ3.2x22@COLOR ZINC TRIVALENT CHROMIUM		10	
F14-1	FOOTREST	28	6F1V-140900-7100	FRONT RH FOOTREST SEAT	1			1	
F14-1	FOOTREST	29	6F1V-140800-7100	REAR RH FOOTREST ASSY	1			1	
F14-2	REAR ARMREST	1	6F1V-050011-7000	RUBBER PLUG	2			1	
F14-2	REAR ARMREST	2	30006-080016810	BOLT	2	M8x16@COLOR ZINC TRIVALENT CHROMIUM		10	
F14-2	REAR ARMREST	3	30006-080020810	BOLT	2	M8x20@COLOR ZINC PLATED		10	
F14-2	REAR ARMREST	4	6F1V-140010-4101	REAR ARMREST	1			1	
F15-A	ELECTRIC SYSTEM(ABS)	1	6F1V-150100-4400	MAIN CABLE	1			1	
F15-A	ELECTRIC SYSTEM(ABS)	2	6F1V-150600-7000	HORN	1			1	
F15-A	ELECTRIC SYSTEM(ABS)	3	30006-080014810	BOLT	1	M8x14		10	
F15-A	ELECTRIC SYSTEM(ABS)	4	6F1V-150420-7100	BATTERY NEGATIVE CABLE	1			1	
F15-A	ELECTRIC SYSTEM(ABS)	5	6F1V-150176-7102	LICENSE LIGHT ADAPTOR CABLE	1			1	
F15-A	ELECTRIC SYSTEM(ABS)	6	8010-150003	TIE BAND	9	5x250		1	
F15-A	ELECTRIC SYSTEM(ABS)	7	801F-100101	TIE BAND	2			10	
F15-A	ELECTRIC SYSTEM(ABS)	8	9010-150002	AUXILIARY RELAY RUBBER RING	3			6	
F15-A	ELECTRIC SYSTEM(ABS)	9	CFCV-150524-2000-M1	AUXILIARY RELAY	3			1	
F15-A	ELECTRIC SYSTEM(ABS)	10	30006-060022810	BOLT	2	M6x22		6	
F15-A	ELECTRIC SYSTEM(ABS)	11	6F1V-177000-7000	REGULATOR	1			1	
F15-A	ELECTRIC SYSTEM(ABS)	12	6F1V-151600-7001-M1	BATTERY	1			1	
F15-A	ELECTRIC SYSTEM(ABS)	13	1080-150700	BATTERY TIE BAND	1			1	
F15-A	ELECTRIC SYSTEM(ABS)	13	9RHV-150700-1001	TIE BAND, BATTERY	1			1	
F15-A	ELECTRIC SYSTEM(ABS)	14	5270-150500	STARTER RELAY	1			1	
F15-A	ELECTRIC SYSTEM(ABS)	15	30006-060012810	BOLT	3	M6x12		10	30006-060012870
F15-A	ELECTRIC SYSTEM(ABS)	16	6F1V-001000-2500	ECM ASSY	1			1	
F15-A	ELECTRIC SYSTEM(ABS)	17	30102-060012810	SCREW	2			10	
F15-A	ELECTRIC SYSTEM(ABS)	18	SN1V-691100-1201-11	T-BOX	1	@Eurasia and Africa and Australia except Turkey,BN,IN,BD,MN,NP	EU/AU/MIDDLE EAST/AFRICA/SOUTHEAST ASIA/WESTERN ASIA	1	
F15-A	ELECTRIC SYSTEM(ABS)	18	SN1V-691100-1301-11	T-BOX	1	North America		1	
F15-A	ELECTRIC SYSTEM(ABS)	18	SN1V-691100-1401-11	T-BOX	1	AllyTech@South America except for Brazil	OTHER COUNTRIES IN SOUTH AMERICA EXCEPT BRAZIL-ZHIYUAN	1	
F15-A	ELECTRIC SYSTEM(ABS)	18	SN1V-691100-1501-11	T-BOX	1	Turkey	TURKEY-ZHIYUAN	1	
F15-A	ELECTRIC SYSTEM(ABS)	18	SN1V-691100-1601-11	T-BOX	1	Brazil	BRAZIL_ZHIYUAN	1	
F15-A	ELECTRIC SYSTEM(ABS)	18	SN1V-691100-1800-11	T-BOX	1			1	
F15-A	ELECTRIC SYSTEM(ABS)	19	6KMV-150901-8002	T-BOX RUBBER RING	2			2	
F15-A	ELECTRIC SYSTEM(ABS)	20	6F1V-003500-7100	HIGH-PRESSURE CABLE ASSEMBLY	1			1	
F15-A	ELECTRIC SYSTEM(ABS)	21	6F1V-003400-8000	IGNITION COIL	1			1	
F15-A	ELECTRIC SYSTEM(ABS)	22	30006-060035810	BOLT	1	M6x35		6	
F15-A	ELECTRIC SYSTEM(ABS)	23	6090-150500	DIODE, STARTER	3			1	
F15-A	ELECTRIC SYSTEM(ABS)	24	8010-151301	FUSE 5A	2	5A		2	
F15-A	ELECTRIC SYSTEM(ABS)	25	806A-151305	FUSE 15A	5	15A		2	
F15-A	ELECTRIC SYSTEM(ABS)	26	806A-151308	30A FUSE	2			1	
F15-A	ELECTRIC SYSTEM(ABS)	27	6KMV-151500-3000	SIDE STAND SWITCH	1			1	
F15-A	ELECTRIC SYSTEM(ABS)	28	8010-090005	BOLT M6x16	1	M6x16		10	
F16	LIGHTS	1	6F1V-160110-7102	HEADLIGHT	1			1	
F16	LIGHTS	2	30110-421130010	SELF-TAPPING SCREW	6	ST4.2x13@COLOR ZINC TRIVALENT CHROMIUM		10	30110-420130070
F16	LIGHTS	3	6KVV-160510-1000	FRONT LH TURN LIGHT ASSY	1			1	
F16	LIGHTS	4	6KVV-160520-1000	FRONT RH TURN LIGHT ASSY	1			1	
F16	LIGHTS	5	6KJV-160920-8001-M1	FRONT SIDE REFLECTOR	2			1	
F16	LIGHTS	6	EGSV-160530-1000	REAR LH TURN LIGHT ASSY	1			1	
F16	LIGHTS	7	EGSV-160540-1000	RH REAR TURN LIGHT ASSY	1			1	
F16	LIGHTS	8	6F1V-160910-4000-M1	REAR REFLECTOR	1			1	
F16	LIGHTS	9	30202-050110	NUT	2	M5		10	
F16	LIGHTS	10	6GUV-160600-6200	LICENSE LIGHT	1			1	
F16	LIGHTS	11	6KMO-150340	FLASHER	1			1	
F16	LIGHTS	12	6F1V-160200-7102	TAIL LIGHT	1			1	
F17	DASHBOARD	1	6FJV-171000-1400	DASHBOARD	1			1	
F17	DASHBOARD	2	6090-040303	BUSHING	2			10	
F17	DASHBOARD	3	6WWW-030019-5000	RUBBER BUSHING	2			2	
F17	DASHBOARD	4	30301-060470	WASHER	2	φ6		1	
F17	DASHBOARD	5	30202-060110	NUT	2	M6@COLOR ZINC TRIVALENT CHROMIUM		10	30204-060810
F19-1	WARNING LABEL,FUEL TANK	1	6F1A-190201-6500	FUEL TANK WARNING LABEL	1			1	
F19-2-A	DECAL(NEBULA BLACK)	1	6FJV-190101-1200-10	LH COMMERCIAL NAME DECAL	1			1	
F19-2-A	DECAL(NEBULA BLACK)	2	6FJV-190102-1200-10	RH COMMERCIAL NAME DECAL	1			1	
F19-2-A	DECAL(NEBULA BLACK)	3	6F1V-190103-1100-10	FRONT LH PANEL DECAL	1			1	
F19-2-A	DECAL(NEBULA BLACK)	4	6F1V-190104-1100-10	FRONT RH PANEL DECAL	1			1	
F19-2-A	DECAL(NEBULA BLACK)	5	6FJV-190105-1200-10	TAIL LIGHT LH PANEL DECAL	1			1	
F19-2-A	DECAL(NEBULA BLACK)	6	6FJV-190106-1200-10	TAIL LIGHT RH PANEL DECAL	1			1	
F19-2-A	DECAL(NEBULA BLACK)	7	6F1V-190107-1100-10	LH TCS DECAL	1			1	
F19-2-A	DECAL(NEBULA BLACK)	8	6F1V-190108-1100-10	RH TCS DECAL	1			1	
F19-2-B	DECAL(NEBULA WHITE)	1	6FJV-190103-1200-11	FUEL TANK LH PANEL DECAL	1			1	
F19-2-B	DECAL(NEBULA WHITE)	2	6F1V-190104-1200-11	FUEL TANK RH PANEL DECAL	1			1	
F19-2-B	DECAL(NEBULA WHITE)	3	6F1V-190105-1100-11	FRONT LH PANEL DECAL	1			1	
F19-2-B	DECAL(NEBULA WHITE)	4	6F1V-190106-1100-11	FRONT RH PANEL DECAL	1			1	
F19-2-B	DECAL(NEBULA WHITE)	5	6F1V-190107-1100-10	LH TCS DECAL	1			1	
F19-2-B	DECAL(NEBULA WHITE)	6	6F1V-190108-1100-10	RH TCS DECAL	1			1	
F19-2-B	DECAL(NEBULA WHITE)	7	6FJV-190107-1200-11	RIM DECAL	4			1	

F19-2-B	DECAL(NEBULA WHITE)	8	6FJV-190108-1200-11	RTM LH CFMOTO DECAL	2		1	
F19-2-B	DECAL(NEBULA WHITE)	9	6FJV-190109-1200-11	RTM RH CFMOTO DECAL	2		1	
F19-2-B	DECAL(NEBULA WHITE)	10	6FJV-190101-1200-11	LH COMMERCIAL NAME DECAL	1		1	
F19-2-B	DECAL(NEBULA WHITE)	11	6FJV-190102-1200-11	RH COMMERCIAL NAME DECAL	1		1	
F19-3	MODEL DECAL	01	6FJV-190006-4400	MODEL DECAL	2		1	
F19-4	NOISE LABEL(AUSTRALIA)	01	6FJV-190016-7300	NOISE LABEL	1		1	
F20	TOOLS	1	6100-200100-10000	TOOL KIT	1		1	
F20	TOOLS	2	6100-200001	VEHICLE TOOLS TIE BAND	1		1	
F20	TOOLS	3	6KMM-200200-C000	LH REARVIEW MIRROR ASSY	1		1	
F20	TOOLS	4	6KMM-200300-C000	RH REAR VIEW MIRROR ASSY	1		1	
F36	FUEL VAPORIZATION SYSTEM	1	30601-109010	CLAMP	2	A9	6	
F36	FUEL VAPORIZATION SYSTEM	2	6FJV-360001-7100	FUEL VAPOR ADSORPTION HOSE 1	1		1	
F36	FUEL VAPORIZATION SYSTEM	3	30601-108010	CLAMP	3	A8@COLOR ZINC TRIVALENT CHROMIUM	6	
F36	FUEL VAPORIZATION SYSTEM	4	606B-360100	ANTI-ROLLOVER VALVE	1		1	
F36	FUEL VAPORIZATION SYSTEM	5	6FJV-360002-7100	FUEL VAPOR ADSORPTION HOSE 2	1		1	
F36	FUEL VAPORIZATION SYSTEM	6	6FJV-360200-7100	CANISTER	1		1	
F36	FUEL VAPORIZATION SYSTEM	7	30601-114010	CLAMP	1		1	
F36	FUEL VAPORIZATION SYSTEM	8	6FJV-360003-7100	FUEL VAPOR DESORPTION HOSE 1	1		1	
F36	FUEL VAPORIZATION SYSTEM	9	30601-112010	CLAMP	2	A12@COLOR ZINC TRIVALENT CHROMIUM	6	
F36	FUEL VAPORIZATION SYSTEM	10	6FJV-003200-8000	CANISTER MAGNETIC VALVE	1		1	
F36	FUEL VAPORIZATION SYSTEM	11	6FJV-360004-7100	FUEL VAPOR DESORPTION HOSE 2	1		1	
F36	FUEL VAPORIZATION SYSTEM	12	6FJV-041503-7100	CANISTER BOX	1		1	
F36	FUEL VAPORIZATION SYSTEM	13	6WWW-046702-5000	INNER HEX SCREW M6x12	2		10	6WWW-046802-5000
F38-A	OWNER'S MANUAL	1	6FJV-380101-4400-12	EU OWNERS MANUAL	1	EU REGULATION	1	
F38-B	OWNER'S MANUAL (JAPAN)	1	6FJV-380101-4500-12	OWNERS MANUAL	1	EU	1	
F38-C	AUSTRALIA WARRANTY CARD	01	6FJV-380101-7201-22	AUSTRALIA WARRANTY CARD	1		1	
F41	AIR FILTER	1	0K1V-110000-4000	AIR FILTER ASSY	1		1	0K1V-110000-4000-10
F41	AIR FILTER	2	0K1A-110100	d44 CLAMP ASSY	1	d44	1	
F41	AIR FILTER	3	30601-114010	CLAMP	2		1	
F41	AIR FILTER	4	30601-113510	CLAMP	1		1	30601-113520
F41	AIR FILTER	5	30601-117010	CLAMP	1	A17	1	
F41	AIR FILTER	6	30112-050016430	SCREW ASSY	4	M5x16@CHROME-PLATED	6	30112-050016440
F41	AIR FILTER	7	0K1V-112000-4000	FILTER ELEMENT	1		1	
E01-1	LEFT CRANKCASE ASSY.	01	30400-02006	BEARING	1	20x47x14	1	
E01-1	LEFT CRANKCASE ASSY.	02	0C10-011007	DOWEL PIN	4	Dia11x16	1	
E01-1	LEFT CRANKCASE ASSY.	03	30400-03503	BEARING	1	35x72x17	1	
E01-1	LEFT CRANKCASE ASSY.	04	30400-01502	BEARING	1	15x32x9	1	
E01-1	LEFT CRANKCASE ASSY.	05	30400-02001	BEARING	1	20x47x14	1	
E01-1	LEFT CRANKCASE ASSY.	06	0A70-011008	SCREW 4x11	1	4x11	6	
E01-1	LEFT CRANKCASE ASSY.	07	0010-011005-00002	CYLINDER BOLT B	2		2	
E01-1	LEFT CRANKCASE ASSY.	08	0A70-011009-00001	SCREW PLUG M14x1.25x12	1		1	
E01-1	LEFT CRANKCASE ASSY.	09	0K12-011100-0B204	LH CRANKCASE	1		1	
E01-1	LEFT CRANKCASE ASSY.	10	30202-060110	NUT	2	M6@COLOR ZINC TRIVALENT CHROMIUM	10	30204-060810
E01-1	LEFT CRANKCASE ASSY.	11	30011-060025820	STUD	2	M6x25	6	
E01-1	LEFT CRANKCASE ASSY.	12	0A70-013004	PLUG	1		6	
E01-1	LEFT CRANKCASE ASSY.	13	0A80-011002	BREATHER HOSE JOINT	1		1	
E01-1	LEFT CRANKCASE ASSY.	14	0A70-011005-00001	BOLT M6x75	6	GALVANIZED TRIVALENT CHROMIUM	6	
E01-1	LEFT CRANKCASE ASSY.	15	0180-014010	WIRE CLAMP	1		6	6WWW-030080-8000
E01-1	LEFT CRANKCASE ASSY.	16	0010-080008	DOWEL PIN	3	8X14	6	
E01-1	LEFT CRANKCASE ASSY.	17	0010-011017-0010	BOLT M6x60	7	GALVANIZED TRIVALENT CHROMIUM	6	
E01-1	LEFT CRANKCASE ASSY.	18	0A80-011500	OIL SEAL	1	20x40X6	1	
E01-1	LEFT CRANKCASE ASSY.	19	0A70-011006	COUNTERSHAFT OIL SEAL PRESS	1		1	
E01-1	LEFT CRANKCASE ASSY.	20	30004-060010850	BOLT M6x10	2	M6x10	10	
E01-1	LEFT CRANKCASE ASSY.	21	0A70-011400	OIL SEAL	1	12x22x9	1	
E01-1	LEFT CRANKCASE ASSY.	22	0A80-011001	GASKET, LH FRONT COVER	1		1	
E01-1	LEFT CRANKCASE ASSY.	23	0010-021018-0010	BOLT M6x55	1	GALVANIZED TRIVALENT CHROMIUM	6	
E01-1	LEFT CRANKCASE ASSY.	24	0A70-011300	FILTER ASSY	1		1	
E01-1	LEFT CRANKCASE ASSY.	25	30116-050012410	SCREW ASSY	2	M5x12@COLOR ZINC TRIVALENT CHROMIUM	1	30018-050012810
E01-1	LEFT CRANKCASE ASSY.	26	0180-013208-0010	BOLT M6x45	2	GALVANIZED TRIVALENT CHROMIUM	6	
E01-1	LEFT CRANKCASE ASSY.	27	0010-013010-0010	BOLT M6x50	1	GALVANIZED TRIVALENT CHROMIUM	6	0JVV-011108-3000
E01-1	LEFT CRANKCASE ASSY.	28	0A70-011002	O-RING 60.5x2.4,OIL STRAINER COVER	1	60.5x2.4	1	
E01-1	LEFT CRANKCASE ASSY.	29	0A70-011004-0B20	FILTER COVER	1	MATTE BLACK	1	
E01-1	LEFT CRANKCASE ASSY.	30	0A70-0110A0-0B20	FILTER COVER ASSY	1	MATTE BLACK	1	
E01-1	LEFT CRANKCASE ASSY.	31	0010-023010-0010	BOLT M6x20	3	GALVANIZED TRIVALENT CHROMIUM	6	0JVV-011107-3000
E01-1	LEFT CRANKCASE ASSY.	32	0180-011006	GASKET 14	1	14	6	
E01-2	RIGHT CRANKCASE ASSY.	01	0K12-012100-0B20	RH CRANKCASE	1	MATTE BLACK	1	
E01-2	RIGHT CRANKCASE ASSY.	02	0A70-012007	PLUG	2		2	
E01-2	RIGHT CRANKCASE ASSY.	03	0A70-012006	PRESS PLATE, OIL PASSAGE	1		6	
E01-2	RIGHT CRANKCASE ASSY.	04	30004-060012820	BOLT M6x12	1	M6x12	6	
E01-2	RIGHT CRANKCASE ASSY.	05	30400-02008	BEARING	1	20x42x12	1	
E01-2	RIGHT CRANKCASE ASSY.	06	30400-02801	BEARING	1	28x52x12	1	
E01-2	RIGHT CRANKCASE ASSY.	07	30400-02000	BEARING	1	20x47x14	1	
E01-2	RIGHT CRANKCASE ASSY.	08	0A70-012002	PRESS TOOL, BEARING	1		1	
E01-2	RIGHT CRANKCASE ASSY.	09	30107-060012410	SCREW	2	M6x12@COLOR ZINC-PLATED	6	
E01-2	RIGHT CRANKCASE ASSY.	10	30400-01503	BEARING	1	15x35x11	1	
E01-2	RIGHT CRANKCASE ASSY.	11	0A80-012005	RH SIDE COVER GASKET	1		1	
E01-2	RIGHT CRANKCASE ASSY.	12	0010-080008	DOWEL PIN	2	8X14	6	
E01-2	RIGHT CRANKCASE ASSY.	13	0A70-012001-00003	LIMIT BOLT	1		1	
E01-2	RIGHT CRANKCASE ASSY.	14	0A70-012004-00002	CYLINDER STUD	2	M8X175	2	
E01-2	RIGHT CRANKCASE ASSY.	15	0A70-012003-00002	STUD	1	M6x99	2	
E01-3	RIGHT SIDE COVER ASSY.	01	0A80-013001-2B201	RH SIDE COVER	1	MATTE BLACK	1	
E01-3	RIGHT SIDE COVER ASSY.	02	0A70-013100	OIL SEAL 12x21x7, CRANKCASE	1	12x21x7	1	
E01-3	RIGHT SIDE COVER ASSY.	03	0A80-013003	PRESS PLATE, OIL SEAL	1		1	
E01-3	RIGHT SIDE COVER ASSY.	04	30105-060012410	SCREW	1	M6x12	1	
E01-3	RIGHT SIDE COVER ASSY.	05	0A70-013500	VIEWER, OIL LEVEL	1		1	
E01-3	RIGHT SIDE COVER ASSY.	06	0A70-013004	PLUG	1		6	
E01-3	RIGHT SIDE COVER ASSY.	07	30017-060022110	STUD	2	M6x22	6	
E01-3	RIGHT SIDE COVER ASSY.	08	0180-011006	GASKET 14	1	14	6	
E01-3	RIGHT SIDE COVER ASSY.	09	0A70-013007-00001	SCREW PLUG M14x1.25x12	1		6	
E01-3	RIGHT SIDE COVER ASSY.	10	0A70-013006	O-SEAL RING 16.8x3.1	1	16.8x3.1	1	
E01-3	RIGHT SIDE COVER ASSY.	11	0A70-013005	OIL FILLING PORT BOLT PLUG	1		1	
E01-3	RIGHT SIDE COVER ASSY.	12	01A0-013005	O-SEAL RING	1	13x2	2	
E01-3	RIGHT SIDE COVER ASSY.	13	0A70-013200	FILTER ELEMENT, PAPER	1		1	
E01-3	RIGHT SIDE COVER ASSY.	14	01A0-013003	O-RING	1	53.6x2.4	1	
E01-3	RIGHT SIDE COVER ASSY.	15	0A70-013003	SPRING, FILTER ELEMENT	1		6	
E01-3	RIGHT SIDE COVER ASSY.	16	0A80-013002-0B20	COVER, OIL FILTER	1	MATTE BLACK	1	
E01-3	RIGHT SIDE COVER ASSY.	17	30212-060810	NUT	3	M6	6	
E01-3	RIGHT SIDE COVER ASSY.	18	0010-023010-0010	BOLT M6x20	1	GALVANIZED TRIVALENT CHROMIUM	6	0JVV-011107-3000
E01-3	RIGHT SIDE COVER ASSY.	19	0010-060012-0010	BOLT M6x30	8	GALVANIZED TRIVALENT CHROMIUM	6	
E01-3	RIGHT SIDE COVER ASSY.	20	0010-013008-0010	BOLT M6x35	1	GALVANIZED TRIVALENT CHROMIUM	6	

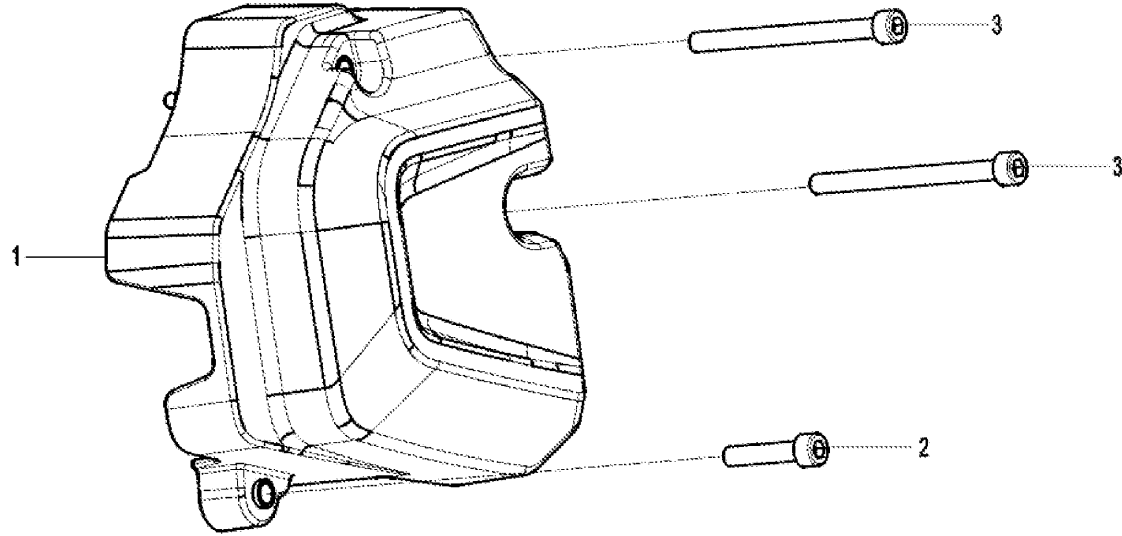
E01-4-V2	LEFT SIDE COVER ASSY.	01	0A80-014001-1B204	FRONT LH COVER	1	MATTE BLACK			
E01-4-V2	LEFT SIDE COVER ASSY.	02	0A70-014007-00001	SCREW PLUG, VIEW HOLE	1				
E01-4-V2	LEFT SIDE COVER ASSY.	03	0010-021014	WASHER 12	1	12			
E01-4-V2	LEFT SIDE COVER ASSY.	04	0A80-014005	WIRE PRESS PLATE	1				
E01-4-V2	LEFT SIDE COVER ASSY.	05	30102-050012810	SCREW	1	M5x12@COLOR ZINC TRIVALENT CHROMIUM			
E01-4-V2	LEFT SIDE COVER ASSY.	06	0010-013008-0010	BOLT M6x35	9	GALVANIZED TRIVALENT CHROMIUM			
E01-4-V2	LEFT SIDE COVER ASSY.	07	0010-021017-0010	BOLT M6x25	3	GALVANIZED TRIVALENT CHROMIUM			
E01-4-V2	LEFT SIDE COVER ASSY.	08	0A70-011005-00001	BOLT M6x75	2	GALVANIZED TRIVALENT CHROMIUM			
E01-4-V2	LEFT SIDE COVER ASSY.	09	0010-060012-0010	BOLT M6x30	1	GALVANIZED TRIVALENT CHROMIUM			
E01-4-V2	LEFT SIDE COVER ASSY.	10	0K1A-014100	REAR COVER, LH	1				
E01-4-V2	LEFT SIDE COVER ASSY.	11	0A80-014003-2B202	FRONT LH COVER GEAR COVER	1	MATTE BLACK			
E01-4-V2	LEFT SIDE COVER ASSY.	12	0010-080008	DOWEL PIN	2	8X14			
E01-4-V2	LEFT SIDE COVER ASSY.	13	0A70-014005-0B20	BOLT CAP, LH FRONT SIDE COVER	1	MATTE BLACK			
E01-4-V2	LEFT SIDE COVER ASSY.	14	0A70-014006-10000	O-RING	1	22.7x3.1			
E01-4-V2	LEFT SIDE COVER ASSY.	15	30102-050016810	SCREW	2	GB/T70.1_M5x16			
E01-4-V2	LEFT SIDE COVER ASSY.	17	0700-065310-10000	SPEED SENSOR	1				
E02-1	CYLINDER HEAD COVER ASSY.	01	0C10-021003	DOWEL PIN Dia 8X12	2				
E02-1	CYLINDER HEAD COVER ASSY.	02	0110-013028	O-RING	2	Dia8X12			
E02-1	CYLINDER HEAD COVER ASSY.	03	0110-013007-0B20	COVER, STRAINER	2	30x3.55			
E02-1	CYLINDER HEAD COVER ASSY.	04	0C10-021002	CAMSHAFT PLUG	1	MATTE BLACK			
E02-1	CYLINDER HEAD COVER ASSY.	05	0010-013008-0010	BOLT M6x35	8	GALVANIZED TRIVALENT CHROMIUM			
E02-1	CYLINDER HEAD COVER ASSY.	06	0010-011017-0010	BOLT M6x60	2	GALVANIZED TRIVALENT CHROMIUM			
E02-1	CYLINDER HEAD COVER ASSY.	07	0010-080013-0010	BOLT M6x22	2	GALVANIZED TRIVALENT CHROMIUM			
E02-1	CYLINDER HEAD COVER ASSY.	08	0A70-021002	WASHER	2				
E02-1	CYLINDER HEAD COVER ASSY.	09	0C10-021004	ROCKER ARM SHAFT	2				
E02-1	CYLINDER HEAD COVER ASSY.	10	0A70-021005	O-RING	2	8.6x1.9			
E02-1	CYLINDER HEAD COVER ASSY.	11	0A70-021100	SWING ARM ASSY	2				
E02-1	CYLINDER HEAD COVER ASSY.	12	0A70-021102	ADJUST SCREW, VALVE CLEARANCE	2				
E02-1	CYLINDER HEAD COVER ASSY.	13	0A70-021103	ADJUST NUT, VALVE CLEARANCE	2				
E02-2	CYLINDER HEAD ASSY.	01	30204-060810	NUT	4	M6			
E02-2	CYLINDER HEAD ASSY.	02	30011-060025820	STUD	4	M6x25			
E02-2	CYLINDER HEAD ASSY.	03	0C10-022008	CYLINDER HEAD GASKET	1				
E02-2	CYLINDER HEAD ASSY.	04	0K1A-0220A0-0B200	CYLINDER HEAD & HEAD COVER	1	MATTE BLACK			
E02-2	CYLINDER HEAD ASSY.	05	0010-022012	WASHER 8	4	8			
E02-2	CYLINDER HEAD ASSY.	06	0010-022013-00002	NUT	4	M8			
E02-2	CYLINDER HEAD ASSY.	07	0K1A-022005	CYLINDER HEAD TEMP. SENSOR	1				
E02-2	CYLINDER HEAD ASSY.	08	0K1A-022003	INJECTOR SEAT SEAL RING	1				
E02-2	CYLINDER HEAD ASSY.	09	0K1A-022002	FUEL INJECTOR SEAT HEAT INSULATOR	1				
E02-2	CYLINDER HEAD ASSY.	10	0K1V-022201-4002	INJECTOR SEAT	1				
E02-2	CYLINDER HEAD ASSY.	11	30603-050000	CLAMP	2	D50			
E02-2	CYLINDER HEAD ASSY.	12	0K1A-022004-00001	CONNECTING PIPE, THROTTLE BODY	1				
E02-2	CYLINDER HEAD ASSY.	13	0010-023008-00001	BOLT	1				
E02-2	CYLINDER HEAD ASSY.	14	0K1V-171000-4000	INJECTOR ASSY	1				
E02-2	CYLINDER HEAD ASSY.	15	0C10-022006	LOCK CLIP, VALVE	4				
E02-2	CYLINDER HEAD ASSY.	16	0C10-022005	SPRING PLATE, VALVE	2				
E02-2	CYLINDER HEAD ASSY.	17	0A70-022003	INNER SPRING, VALVE	2				
E02-2	CYLINDER HEAD ASSY.	18	0A70-022004	OUTER SPRING, VALVE	2				
E02-2	CYLINDER HEAD ASSY.	19	0010-022500-10000	SEAL RING, VALVE STEM	2				
E02-2	CYLINDER HEAD ASSY.	20	0C10-022007	SEAT, VALVE SPRING	2				
E02-2	CYLINDER HEAD ASSY.	21	0C10-022001	VALVE, INTAKE	1				
E02-2	CYLINDER HEAD ASSY.	22	0C10-022002	EXHAUST VALVE	1				
E02-2	CYLINDER HEAD ASSY.	23	01A0-022400-00001	SPARK PLUG	1	NCK CR8E	NGK		
E02-2	CYLINDER HEAD ASSY.	24	0K1V-022400-4000	SPARK PLUG ASSY	1				
E02-2	CYLINDER HEAD ASSY.	25	0K1V-170010-4000	INJECTOR CAP	1				
E02-3	CYLINDER BODY ASSY.	01	0C10-023004-10000	CYLINDER BODY GASKET	1				
E02-3	CYLINDER BODY ASSY.	02	0K1B-023100-0B011	CYLINDER BODY ASSY	1				
E02-3	CYLINDER BODY ASSY.	03	0A70-023001-0G30	GASKET, TENSIONER	1	MUSTARD GREEN			
E02-3	CYLINDER BODY ASSY.	04	0C10-023200-1B200	TENSIONER ASSY	1				
E02-3	CYLINDER BODY ASSY.	05	0010-023010-0010	BOLT M6x20	2	GALVANIZED TRIVALENT CHROMIUM			01WV-011107-3000
E02-3	CYLINDER BODY ASSY.	06	01B0-023007-00001	TENSIONER PLATE BOLT M8x39.5	1	GALVANIZED TRIVALENT CHROMIUM			01B0-023007-0010
E02-3	CYLINDER BODY ASSY.	07	0010-021016	WASHER 8	1	8			
E02-3	CYLINDER BODY ASSY.	08	0A70-023300	TENSION PLATE ASSY	1				
E02-3	CYLINDER BODY ASSY.	09	0A70-023400	CHAIN GUIDE	1				
E02-3	CYLINDER BODY ASSY.	10	0C10-011007	DOWEL PIN	2	Dia11x16			
E02-4	CAMSHAFT ASSY.	01	0A70-024100	TIMING CHAIN	1				
E02-4	CAMSHAFT ASSY.	02	30004-060010150	BOLT M6x10	2	M6x10			
E02-4	CAMSHAFT ASSY.	03	0A70-024002	TIMING SPROCKET	1				
E02-4	CAMSHAFT ASSY.	04	01B0-024004	CAMSHAFT SPACER	1				01B0-024004-00001
E02-4	CAMSHAFT ASSY.	05	0A70-024001	CAMSHAFT	1				0A80-024001
E03	MAGNETO ASSY.	01	0K1V-031000-4001	MAGNETO ROTOR ASSY	1				
E03	MAGNETO ASSY.	02	0A70-014004-00002	BOLT M5x25	3	M5x25			
E03	MAGNETO ASSY.	03	30102-050012810	SCREW	2	M5x12@COLOR ZINC TRIVALENT CHROMIUM			
E03	MAGNETO ASSY.	04	0K1V-032000-4000	MAGNETO STATOR ASSY	1				
E04	CRANKSHAFT /CONNECTING ROD & PISTON ASSY	01	0A70-040007	NUT M16	1	M16			
E04	CRANKSHAFT /CONNECTING ROD & PISTON ASSY	02	0A70-040008-00001	LOCK CIRCLIP	1				
E04	CRANKSHAFT /CONNECTING ROD & PISTON ASSY	03	3121100	GUIDE BLOCK B4x4x16	1	B4x4x16			
E04	CRANKSHAFT /CONNECTING ROD & PISTON ASSY	04	0A70-040009	DRIVE GEAR, OIL PUMP	1				
E04	CRANKSHAFT /CONNECTING ROD & PISTON ASSY	05	0A80-043000	PRIMARY DRIVEN GEAR ASSY	1				
E04	CRANKSHAFT /CONNECTING ROD & PISTON ASSY	06	0A80-040003	GEAR, CRANKSHAFT BALANCER	1				
E04	CRANKSHAFT /CONNECTING ROD & PISTON ASSY	07	0K1B-041000	CRANKSHAFT CONNECTING ROD SUB ASSY	1				
E04	CRANKSHAFT /CONNECTING ROD & PISTON ASSY	08	0A70-040011	WOODRUFF KEY	1				
E04	CRANKSHAFT /CONNECTING ROD & PISTON ASSY	09	0110-052008-00002	NUT	1				
E04	CRANKSHAFT /CONNECTING ROD & PISTON ASSY	10	0A70-0400A0	PISTON RING ASSY	1				
E04	CRANKSHAFT /CONNECTING ROD & PISTON ASSY	11	0C10-040003	CIRCLIP, PISTON PIN	2				
E04	CRANKSHAFT /CONNECTING ROD & PISTON ASSY	12	0C10-040001	PISTON	1				
E04	CRANKSHAFT /CONNECTING ROD & PISTON ASSY	13	0C1V-040002-1000-10	PISTON PIN	1				
E05	CLUTCH ASSY.	01	0A70-050002	WASHER	2	20x34 5x2			
E05	CLUTCH ASSY.	02	0A80-051100-00001	PRIMARY DRIVEN GEAR ASSY	1				
E05	CLUTCH ASSY.	03	0A80-050001	BUSHING, PRIMARY DRIVEN GEAR	1				
E05	CLUTCH ASSY.	04	0A70-051201-00001	CLUTCH HUB	1				
E05	CLUTCH ASSY.	05	0K1V-050010-4000	CLUTCH DRIVE DISC 1	2				
E05	CLUTCH ASSY.	06	0K1V-050020-4000	CLUTCH DRIVE DISC 2	3				
E05	CLUTCH ASSY.	07	0A70-051202-00001	DRIVEN DISC, CLUTCH	4				
E05	CLUTCH ASSY.	08	0A70-050004	LOCK WASHER	1				
E05	CLUTCH ASSY.	09	0A70-050005	NUT	1	M16X1.5			
E05	CLUTCH ASSY.	10	0A80-050006	CLUTCH ROD	1				
E05	CLUTCH ASSY.	11	0A80-050030	THRUST BEARING AND BRACKET ASSY	1				
E05	CLUTCH ASSY.	12	0A80-050008-00001	CLUTCH PRESSURE PLATE	1				
E05	CLUTCH ASSY.	13	0A70-051204-00001	CLUTCH SPRING	5				
E05	CLUTCH ASSY.	14	30112-050016410	SCREW ASSY	5	M5x16@COLOR ZINC TRIVALENT CHROMIUM			

E05	CLUTCH ASSY.	15	0A80-050009-00001	CLUTCH LEVER	1				1
E05	CLUTCH ASSY.	16	0A70-052002	WASHER	1	10x20x1			6
E05	CLUTCH ASSY.	17	0110-080005	OIL SEAL	1	10x20x5			1
E05	CLUTCH ASSY.	18	0A80-050005	SEPARATE SWING ARM	1				1
E05	CLUTCH ASSY.	19	0010-090005-0010	BOLT M6x16	1		GALVANIZED TRIVALENT CHROMIUM		6
E05	CLUTCH ASSY.	20	0A80-050004	WASHER	1				1
E05	CLUTCH ASSY.	21	0K1V-051000-4000	CLUTCH SUB ASSY	1				1
E06	TRANSMISSION ASSY.	01	0A80-063000-00002	GEARSHIFT LEVER ASSY	1				1
E06	TRANSMISSION ASSY.	02	0180-021008-00001	BOLT	1	M14x1.25x12			2
E06	TRANSMISSION ASSY.	03	0180-011006	GASKET 14	1	14			6
E06	TRANSMISSION ASSY.	04	0A70-060012	SPRING, NEUTRAL	1				1
E06	TRANSMISSION ASSY.	05	0A70-060013	NEUTRAL STOPPER	1				1
E06	TRANSMISSION ASSY.	06	0A70-065100	CAM STOPPER	1				1
E06	TRANSMISSION ASSY.	07	0A70-065003	GEARSHIFT POSITION SPRING	1				6
E06	TRANSMISSION ASSY.	08	0A70-065001-00001	GEARSHIFT CAM BOLT	1				2
E06	TRANSMISSION ASSY.	09	0A70-065002	WASHER 6	1	6			6
E06	TRANSMISSION ASSY.	10	0DMV-066000-2701	GEAR CONTACTOR	1				1
E06	TRANSMISSION ASSY.	11	0A70-060014	O-RING	1	26.2x2.4			1
E06	TRANSMISSION ASSY.	12	30116-050020410	SCREW ASSY	2	M5x20@COLOR ZINC TRIVALENT CHROMIUM			6
E06	TRANSMISSION ASSY.	13	0A70-064002	CAM STOPPER	1				1
E06	TRANSMISSION ASSY.	14	0A70-064001	WASHER	1	25x40x1			2
E06	TRANSMISSION ASSY.	15	0A70-064004	GEAR SWITCH CONTACTOR	1				2
E06	TRANSMISSION ASSY.	16	0A70-064003	SPRING	1				2
E06	TRANSMISSION ASSY.	17	30901-0400600	PIN	1	φ4x6			6
E06	TRANSMISSION ASSY.	18	0A80-064200-00001	GEARSHIFT CAM HUB ASSY	1				1
E06	TRANSMISSION ASSY.	19	0A70-064100	DRIVEN GEAR, CAM	1				1
E06	TRANSMISSION ASSY.	20	0A70-064005	RH PAWL	1				1
E06	TRANSMISSION ASSY.	21	0A70-064008	LH PAWL	1				1
E06	TRANSMISSION ASSY.	22	0A70-064006	PIN, GEARSHIFT	2				2
E06	TRANSMISSION ASSY.	23	0A70-064007	SPRING	2				2
E06	TRANSMISSION ASSY.	24	0A70-060006	PAWL PLATE, GEARSHIFT	1				1
E06	TRANSMISSION ASSY.	25	0A70-060005	CAM GUIDE	1				1
E06	TRANSMISSION ASSY.	26	30107-060012410	SCREW	4	M6x12@COLOR ZINC-PLATED			6
E06	TRANSMISSION ASSY.	27	0A70-060003-00001	FORK SHAFT	1				1
E06	TRANSMISSION ASSY.	28	0A70-060004	SHIFT FORK	2				1
E06	TRANSMISSION ASSY.	29	0A70-060002	FORK, MIDDLE	1				1
E06	TRANSMISSION ASSY.	30	0A70-060001-00001	FORK SHAFT	1				1
E06	TRANSMISSION ASSY.	31	0A80-062009	WASHER	2	15x25x1.5			2
E06	TRANSMISSION ASSY.	32	0A80-062008	BUSHING	1				1
E06	TRANSMISSION ASSY.	33	0A80-062001	COUNTERSHAFT 1ND GEAR	1	33			1
E06	TRANSMISSION ASSY.	34	0A80-062005	COUNTERSHAFT 5ND GEAR	1	22			1
E06	TRANSMISSION ASSY.	35	0A80-061008	CIRCLIP	3				1
E06	TRANSMISSION ASSY.	36	0A80-062007	WASHER	2				2
E06	TRANSMISSION ASSY.	37	0A80-062004	COUNTERSHAFT 4ND GEAR	1	24			1
E06	TRANSMISSION ASSY.	38	0A80-062003	COUNTERSHAFT 3ND GEAR	1	26			1
E06	TRANSMISSION ASSY.	39	0A80-062006	COUNTERSHAFT 6ND GEAR	1	21			1
E06	TRANSMISSION ASSY.	40	0A80-062020	COUNTERSHAFT 2ND GEAR ASSY	1	26			1
E06	TRANSMISSION ASSY.	41	0K1A-062070-00001	COUNTERSHAFT ASSY	1				1
E06	TRANSMISSION ASSY.	42	0A80-060001	DRIVE SPROCKET	1				1
E06	TRANSMISSION ASSY.	43	0A80-060002-00001	SPROKET GUARD	1				1
E06	TRANSMISSION ASSY.	44	30004-060010850	BOLT M6x10	2	M6x10			10
E06	TRANSMISSION ASSY.	45	0K1A-060007	SPEED SENSOR DISC	1			NO ABS	1
E06	TRANSMISSION ASSY.	46	0110-090009-00002	INNER HEX SCREW	1			NO ABS	2
E06	TRANSMISSION ASSY.	47	0010-080008	DOWEL PIN	1	8x14		ABS	6
E06	TRANSMISSION ASSY.	48	0A80-061000-00002	MAIN SHAFT ASSY	1				1
E06	TRANSMISSION ASSY.	49	0K1A-062000-00001	COUNTERSHAFT ASSY	1				1
E07	OIL PUMP ASSY.	01	0A70-071000	OIL PUMP SUB ASSY	1				1
E07	OIL PUMP ASSY.	02	0010-021017-0010	BOLT M6x25	3		GALVANIZED TRIVALENT CHROMIUM		6
E07	OIL PUMP ASSY.	03	30406-00201	ROLLER NEEDLE	1	P2.5x22			1
E07	OIL PUMP ASSY.	04	0A70-070001	DRIVEN GEAR, OIL PUMP	1				1
E07	OIL PUMP ASSY.	05	30802-00605	SPLIT WASHER	1	6			10
E09	ELECTRIC STARTING ASSY.	01	0010-021017-0010	BOLT M6x25	2		GALVANIZED TRIVALENT CHROMIUM		6
E09	ELECTRIC STARTING ASSY.	02	0A80-093000	STARTING MOTOR	1				1
E09	ELECTRIC STARTING ASSY.	03	0A80-090001-00001	DUAL GEAR 1	1				1
E09	ELECTRIC STARTING ASSY.	04	0A80-090003	SHAFT, DUAL GEAR 1	1				1
E09	ELECTRIC STARTING ASSY.	05	0A80-090002-00001	DUAL GEAR 2	1				1
E09	ELECTRIC STARTING ASSY.	06	0A70-091002-00001	SHAFT, DUAL GEAR	1				1
E09	ELECTRIC STARTING ASSY.	07	0A8A-092000	GEAR, STARTING MOTOR	1				1
E09	ELECTRIC STARTING ASSY.	08	0A8A-094000	CLUTCH	1				1
E09	ELECTRIC STARTING ASSY.	09	0A8A-090004-00002	SCREW	3	M8x16			6
E16	BALANCE SHAFT ASSY.	01	0110-051007-00002	NUT M14x1.5	1				1
E16	BALANCE SHAFT ASSY.	02	0010-051004	WASHER	1	14x28x2			1
E16	BALANCE SHAFT ASSY.	03	0A80-160005	CIRCLIP38	1	38			1
E16	BALANCE SHAFT ASSY.	04	0A80-160001	GEAR, BALANCE SHAFT	1				1
E16	BALANCE SHAFT ASSY.	05	0A80-160004	BALANCE GEAR SPRING	2				1
E16	BALANCE SHAFT ASSY.	06	0A80-160003	DAMPER, BALANCE SHAFT GEAR	2				1
E16	BALANCE SHAFT ASSY.	07	0A80-160002	WASHER	1				1
E16	BALANCE SHAFT ASSY.	08	0K1Z-161000	BALANCE SHAFT ASSY	1				1
E17	THROTTLE BODY ASSY.	01	0K1V-173000-4001	THROTTLE BODY	1				1

F00 发动机安装附件 ENGINE FITTINGS

Item No.	Parts Number	Parts Name(EN)	Qty	Specification	Remark(s)	MOQ	Alternative Parts
1	6FIV-040011-7100	SMALL SPROCKET GUARD	1			1	
2	0010-021017-0010	BOLT M6x25	1	GALVANIZED TRIVALENT CHROMIUM		6	
3	0020-011018-00001	BOLT	2			6	

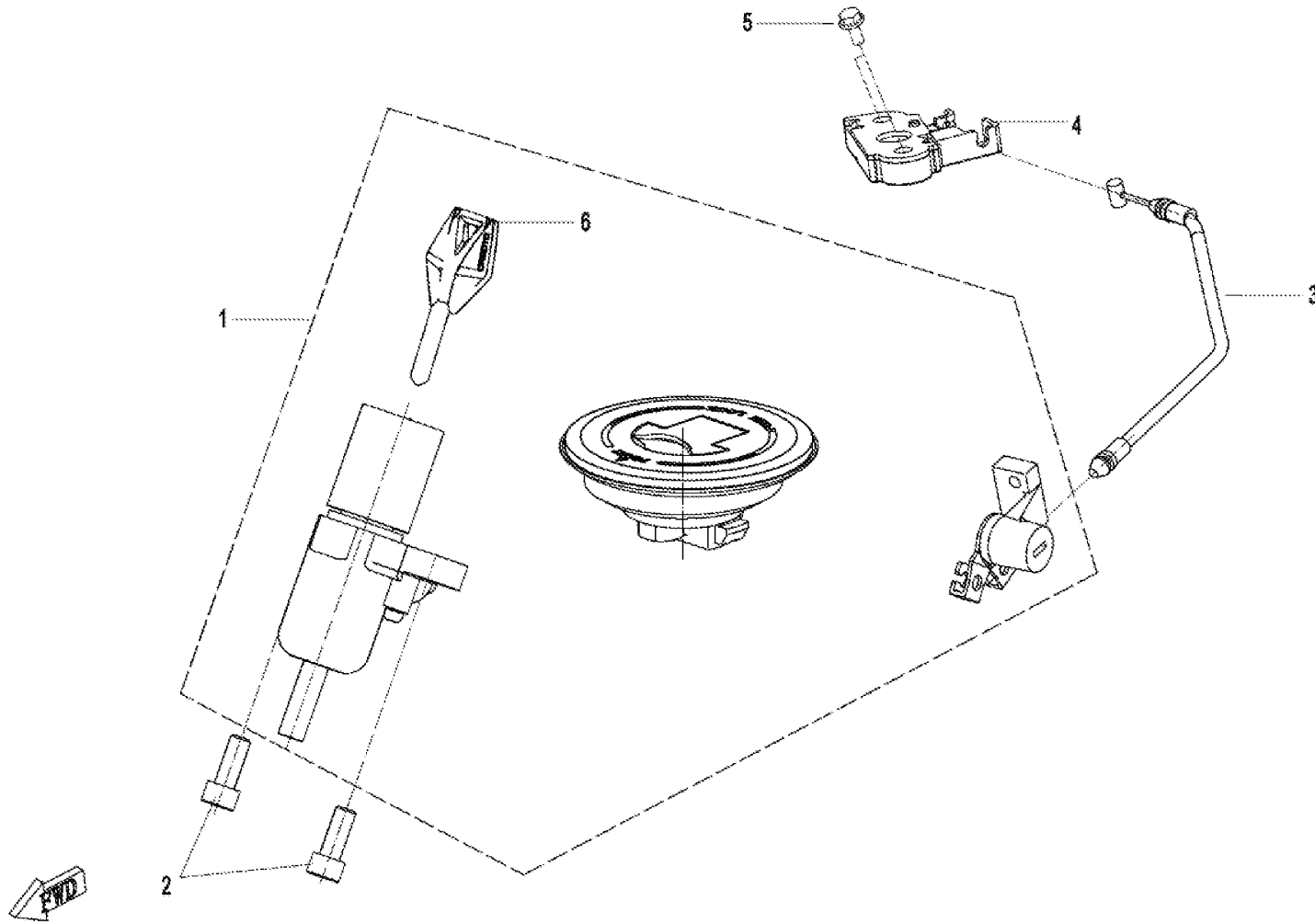
安装附件/ENGINE FITTINGS



F01 锁具 LOCK KIT

Item No.	Parts Number	Parts Name(EN)	Qty	Specification	Remark(s)	MOQ	Alternative Parts
01	6FIV-011000-2100	LOCK KIT	1			1	
02	30102-080020810	SCREW	2	M8x20@TRIVALENT CHROMIUM		1	
03	6FIV-010010-7100	SEAT CABLE	1			1	
04	6GU#-010320-6000	SEAT LOCK SEAT	1			1	
05	30006-060016810	BOLT	2	M6x16		10	
06	6FIV-011020-7100	KEY	1			1	

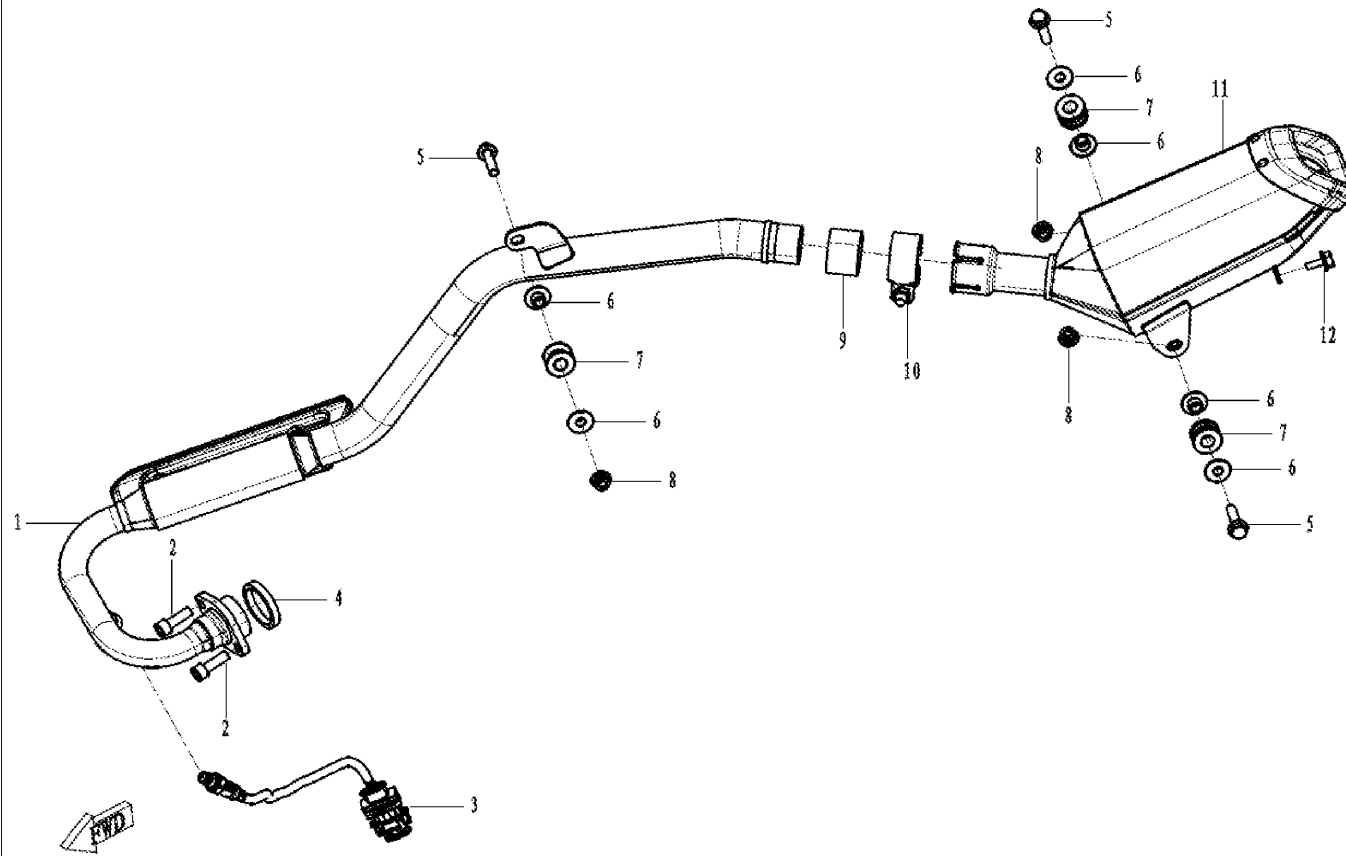
锁具总成/LOCK ASSY



F02 消声器 MUFFLER

Item No.	Parts Number	Parts Name(EN)	Qty	Specification	Remark(s)	MOQ	Alternative Parts
1	6FIV-021100-1100	EXHAUST PIPE ASSY	1			1	
2	30102-080025810	SCREW	2	M8×25		10	
3	8AJV-004100-1000	OXYGEN SENSOR	1			1	
4	6090-020010	EXHAUST PORT GASKET	1	42x33x5		1	
5	30006-080035810	BOLT	3	M8×35		10	
6	6WWW-020002-5001	BUSHING, MUFFLER BODY	6			1	
7	6WWW-020003-5000	RUBBER SLEEVE, MUFFLER BODY	3			1	
8	30204-080810	LOCK NUT	3	M8		10	
9	A000-020003	GRAPHITE SEAL BUSHINGII	1			1	
10	A000-020500	CLAMP ASSY 1	1			1	
11	6FIV-021200-9000	REAR MUFFLER BODY ASSY	1			1	
12	30006-060012810	BOLT	1	M6×12		10	30006-060012870

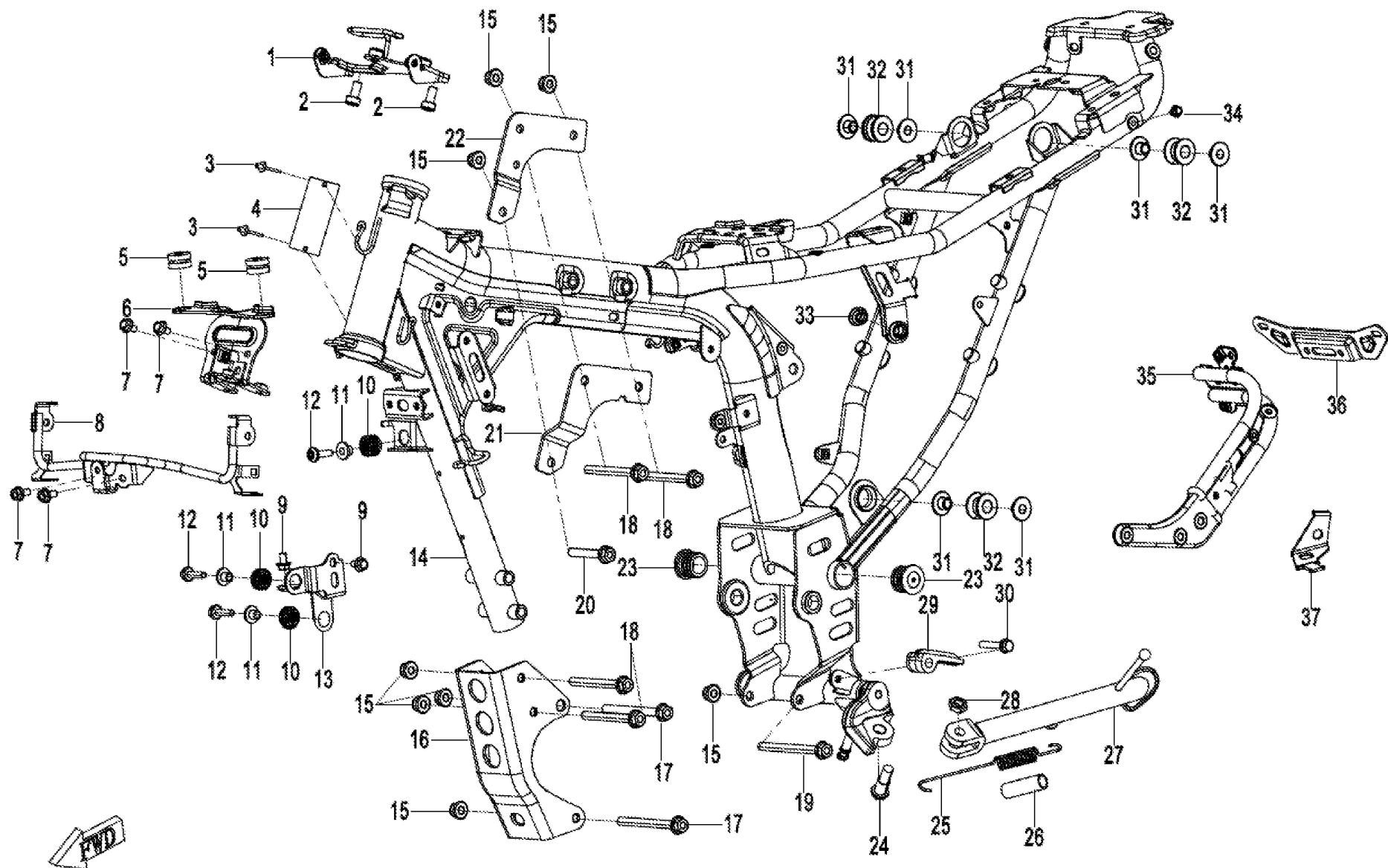
F02 消声器总成/MUFFLER COMP



F03 车架 FRAME

Item No.	Parts Number	Parts Name(EN)	Qty	Specification	Remark(s)	MOQ	Alternative Parts
1	6FIV-030010-4100	IGNITION LOCK BRACKET	1			1	
2	30102-080016810	INNER HEX SCREW	2	M8x16		6	
3	30902-0400820	RIVET	2	φ4×8		6	30902-0401320
4	6FIA-190012	VIN PLATE	1			1	
5	5020-031001	RUBBER SLEEVE, FRONT LICENSE BRACKET	2			10	
6	6FIV-030020-4100	HEADLIGHT LOWER BRACKET	1			1	
7	30006-060012810	BOLT	4	M6×12		10	30006-060012870
8	6FJV-030100-1200	FRONT LH+RH PANEL ASSY	1			1	6FJ1-030100-1200
9	30006-060010810	BOLT	2	M6×10		10	
10	6AQV-021002-1000	BUSHING	3			1	
11	6WWW-030019-5000	RUBBER BUSHING	3			2	
12	30006-060022810	BOLT	3	M6×22		6	
13	6FIV-030002-7000	ABS BRACKET	1			1	
14	6FIV-031000-1100-01	FRAME ASSY	1			1	
15	30204-080810	LOCK NUT	8	M8		10	
16	5280-030004-1000	ENGINE FRONT SUSPENSION PLATE	1	MATTE BLACK		1	
17	30006-080085810	BOLT	2	GB/T5789_M8×85		6	
18	30006-080075810	BOLT	4	M8×75		6	
19	30006-080090810	BOLT	1	M8×90		6	
20	30006-080050810	BOLT	1	M8×50		1	
21	6FI2-030002	ENGINE LH UPPER BRACKET	1	ELECTROPHORESIS BLACK		1	
22	6FIV-030050-7100	ENGINE UPPER RH BRACKET	1			1	
23	6KJ0-030503	RUBBER PLUG	2			1	
24	A000-030006	SIDE BRACKET BOLT	1			10	
25	6KMV-030060-C000	SIDE STAND SPRING ASSY	1			1	
26	A000-030004	SPRING COLLAR, SIDE STAND	1			1	6L30-030071-10000
27	6FIV-030600-7101	SIDE STAND ASSY	1			1	
28	30208-102010	NUT	1	M10×1.25		10	
29	30006-060035810	BOLT	1	M6×35		6	
30	6KJ0-030510	CHAIN GUARD ASSY	1			1	
31	6WWW-020002-5001	BUSHING, MUFFLER BODY	6			1	
32	6WWW-020003-5000	RUBBER SLEEVE, MUFFLER BODY	3			1	
33	8080-040064	FRONT FENDER DAMPER	1			1	
34	6WWW-046702-5000	INNER HEX SCREW M6x12	1			10	6WWW-046802-5000
35	6FIV-030300-7100	REAR FENDER ASSY	1			1	
36	6FIV-030009-7100	REAR LICENSE BRACKET	1			1	

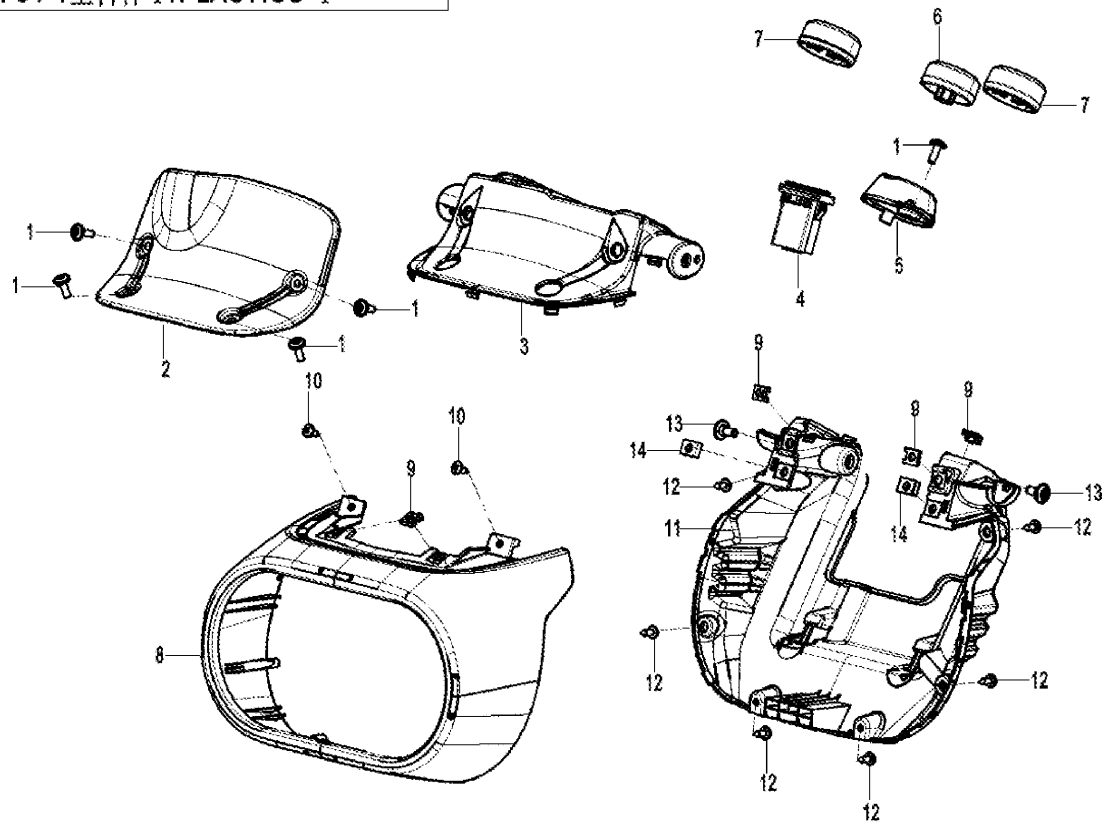
F03车架总成/FRAME ASSY



F04-1 塑料件I PLASTICS 1

Item No.	Parts Number	Parts Name(EN)	Qty	Specification	Remark(s)	MOQ	Alternative Parts
1	6WVV-047102-5000	INNER HEX SCREW M5x14	5			10	
2	6FIV-041603-4100	WINDSHIELD	1			1	
3	6FIV-041604-4100	DASHBOARD LOWER GUARD	1			1	
4	6AQV-041117-1002	USB PLUG COVER	1			1	
5	6FIV-040101-4100	IGNITION LOCK GUARD	1			1	
6	6FIV-040512-7100	PIPE UPPER COVER	1			1	
7	6FIV-040511-7100	FRONT SHOCK ABSORBER UPPER COVER	2			1	
8	6FIV-041601-4100-0BU00	HEADLIGHT PANEL	1	JET BLACK		1	
8	6FIV-041601-4100-0BM00	HEADLIGHT PANEL	1	NEBULA BLACK		1	
9	6KM#-040081-8000-M1	NUT CLIP M5	5			10	
10	30110-421130010	SELF-TAPPING SCREW	2	3x13@COLOR ZINC TRIVALENT CHRO		10	30110-420130070
11	6FIV-041602-4100	HEADLIGHT BACKBOARD	1			1	
12	30110-420160070	SELF-TAPPING SCREW	6	ST4.2x16		10	
13	6WVV-046602-5000	INNER HEX STEPPED SCREW M6x14	2			10	
14	8010-000002	CLAMP	2	ST4.2		6	F07V-040002-1000

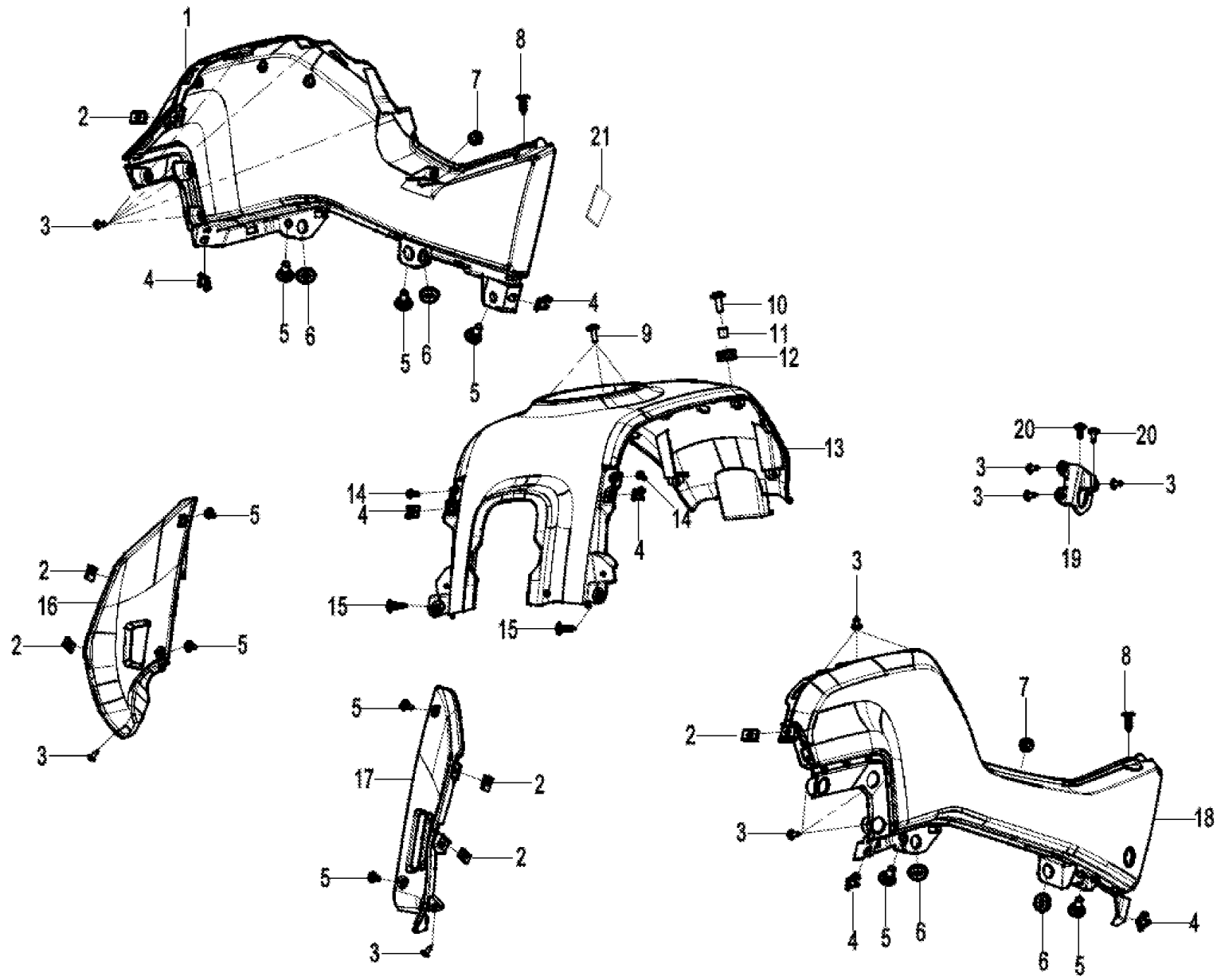
F04-1 塑料件 I / PLASTICS I



F04-2 塑料件II PLASTICS 2

Item No.	Parts Number	Parts Name(EN)	Qty	Specification	Remark(s)	MOQ	Alternative Parts
1	6FIV-041203-7101-0BM00	FUEL TANK RH PANEL	1	NEBULA BLACK		1	
1	6FIV-041203-7101-0VE00	FUEL TANK RH PANEL	1	NEBULA WHITE		1	
2	8010-000002	CLAMP	6	ST4.2		6	F07V-040002-1000
3	30110-421130010	SELF-TAPPING SCREW	17	x13@COLOR ZINC TRIVALENT CHRO		10	30110-420130070
4	6KM#-040081-8000-M1	NUT CLIP M5	6			10	
5	6WWV-046502-5000	STEPPED SCREW M5	9			10	5BWV-040017-5000
6	6FIV-040401-7100	MUSHROOM HEAD RUBBER BOOT	4	SLOTTED HOLE IN PLASTIC PART		1	
7	6WWV-045801-5000	RUBBER	2			2	
8	9060-040310	CLAMP ASSY	2			10	
9	6WWV-047102-5000	INNER HEX SCREW M5x14	3			10	
10	6WWV-046802-5000	INNER HEX SCREW M6x16	1			10	
11	6090-040302	CUSHION SLEEVE	1			10	
12	6090-040303	BUSHING	1			10	
13	6FIV-041201-7103-0BM00	FUEL TANK UPPER PANEL	1	NEBULA BLACK		1	
13	6FIV-041201-7103-0VE00	FUEL TANK UPPER PANEL	1	NEBULA WHITE		1	
14	30110-420095010	SELF-TAPPING SCREW	2	ST4.2x9.5@COLOR ZINC-PLATED		10	
15	8080-041130	EXPANSION RIVET ASSY	2			10	
16	6FIV-041205-4101	FUEL TANK FRONT RH PANEL	1			1	
17	6FIV-041204-4101	FUEL TANK FRONT LH PANEL	1			1	
18	6FIV-041202-7101-0BM00	FUEL TANK LH PANEL	1	NEBULA BLACK		1	
18	6FIV-041202-7101-0VE00	FUEL TANK LH PANEL	1	NEBULA WHITE		1	
19	6FIV-040102-7100	SEAT LOCK BRACKET	1			1	
20	30105-050012410	SCREW	2	M5x12		1	
21	6AQV-110031-7100	FENDER RUBBER 1	1			1	

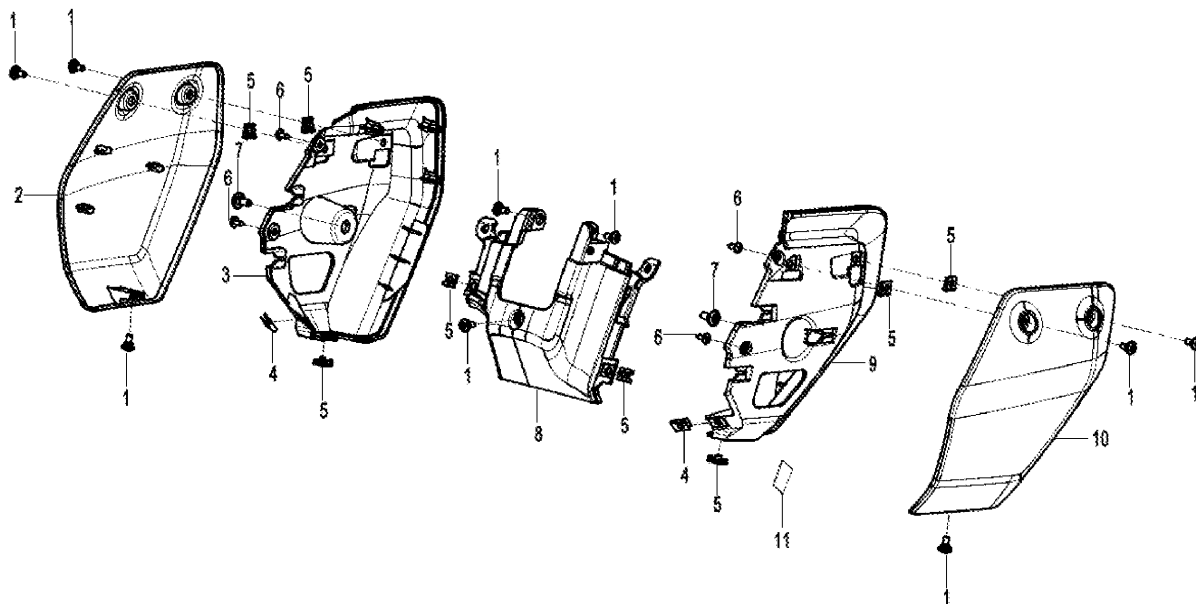
F04-2 塑料件 II / PLASTICS II



F04-3 塑料件III PLASTICS 3

Item No.	Parts Number	Parts Name(EN)	Qty	Specification	Remark(s)	MOQ	Alternative Parts
1	6WWW-046502-5000	STEPPED SCREW M5	9			10	5BWV-040017-5000
2	6FIV-040302-4100-0VE00	FRONT RH PANEL	1	NEBULA WHITE		1	
2	6FIV-040302-4100-0RZ00	FRONT RH PANEL	1	BETROOT PINK		1	
3	6FIV-040308-4100-0VF00	FRONT RH PANEL DECO PART	1	MERCURY SILVER		1	
3	6FIV-040308-4100-0RM00	FRONT RH PANEL DECO PART	1	MAGMA RED		1	
4	8010-000002	CLAMP	2	ST4.2		6	F07V-040002-1000
5	6KM#-040081-8000-M1	NUT CLIP M5	8			10	
6	30110-421130010	SELF-TAPPING SCREW	4	x13@COLOR ZINC TRIVALENT CHRO		10	30110-420130070
7	6WWW-046602-5000	INNER HEX STEPPED SCREW M6x14	2			10	
8	6FIV-040309-4101-0VE00	PIPE LOWER PLATE	1	NEBULA WHITE		1	
8	6FIV-040309-4101-0BM00	PIPE LOWER PLATE	1	NEBULA BLACK		1	
9	6FJV-040307-1200-0RM00	FRONT LH PANEL DECO PART	1	MAGMA RED		1	
9	6FJV-040307-1200-0VF00	FRONT LH PANEL DECO PART	1	MERCURY SILVER		1	
10	6FIV-040301-4100-0VE00	FRONT LH PANEL	1	NEBULA WHITE		1	
10	6FIV-040301-4100-0RZ00	FRONT LH PANEL	1	BETROOT PINK		1	
11	6AQV-110031-7100	FENDER RUBBER 1	6			1	

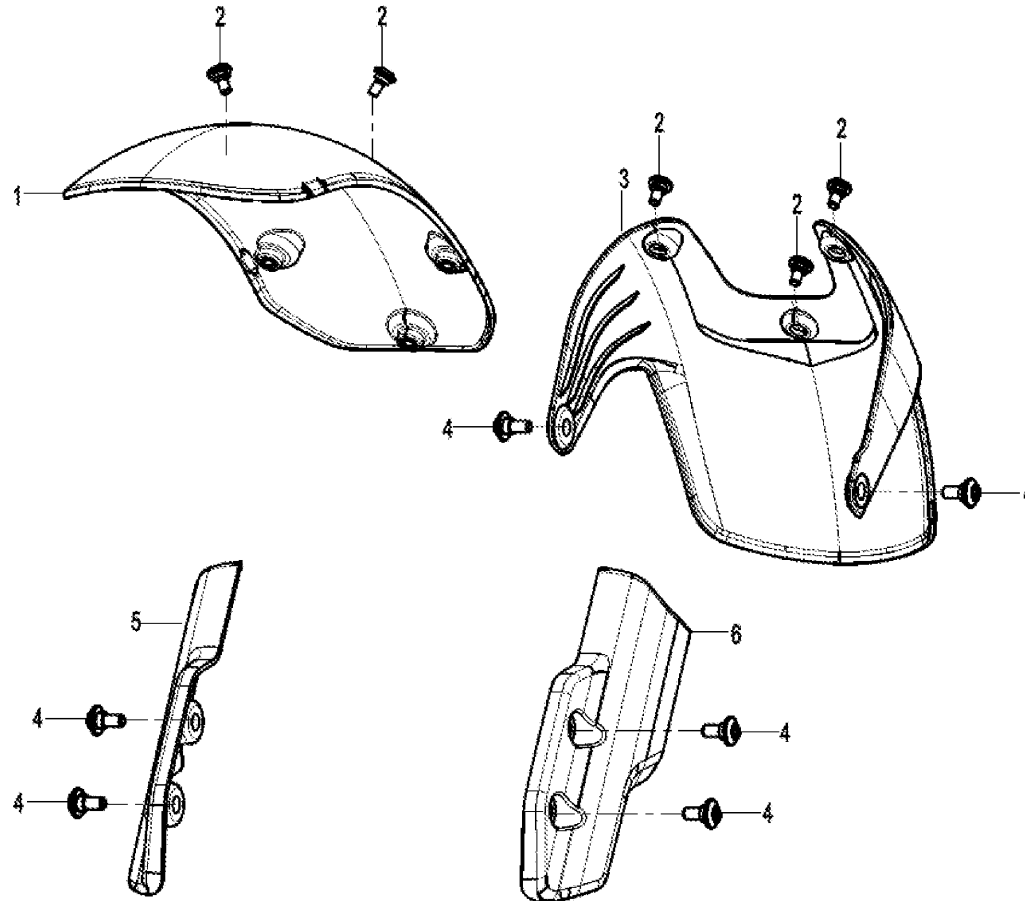
F04-3 塑料件III/PLASTICS III



F04-4 塑料件IV PLASTICS 4

Item No.	Parts Number	Parts Name(EN)	Qty	Specification	Remark(s)	MOQ	Alternative Parts
1	6FJV-040501-1200-OBM00	FRONT FENDER	1	NEBULA BLACK		1	
1	6FJV-040501-1200-0BU00	FRONT FENDER	1	JET BLACK		1	
2	6WWW-046502-5000	STEPPED SCREW M5	5			10	5BWV-040017-5000
3	6FJV-040502-1200	FRONT FENDER REAR PART	1			1	
4	6WWW-046602-5000	INNER HEX STEPPED SCREW M6x14	6			10	
5	6FJV-040514-1200	FRONT RH SHOCK ABSORBER DECO PA	1			1	
6	6FJV-040513-1200	FRONT LH SHOCK ABSORBER DECO PA	1			1	

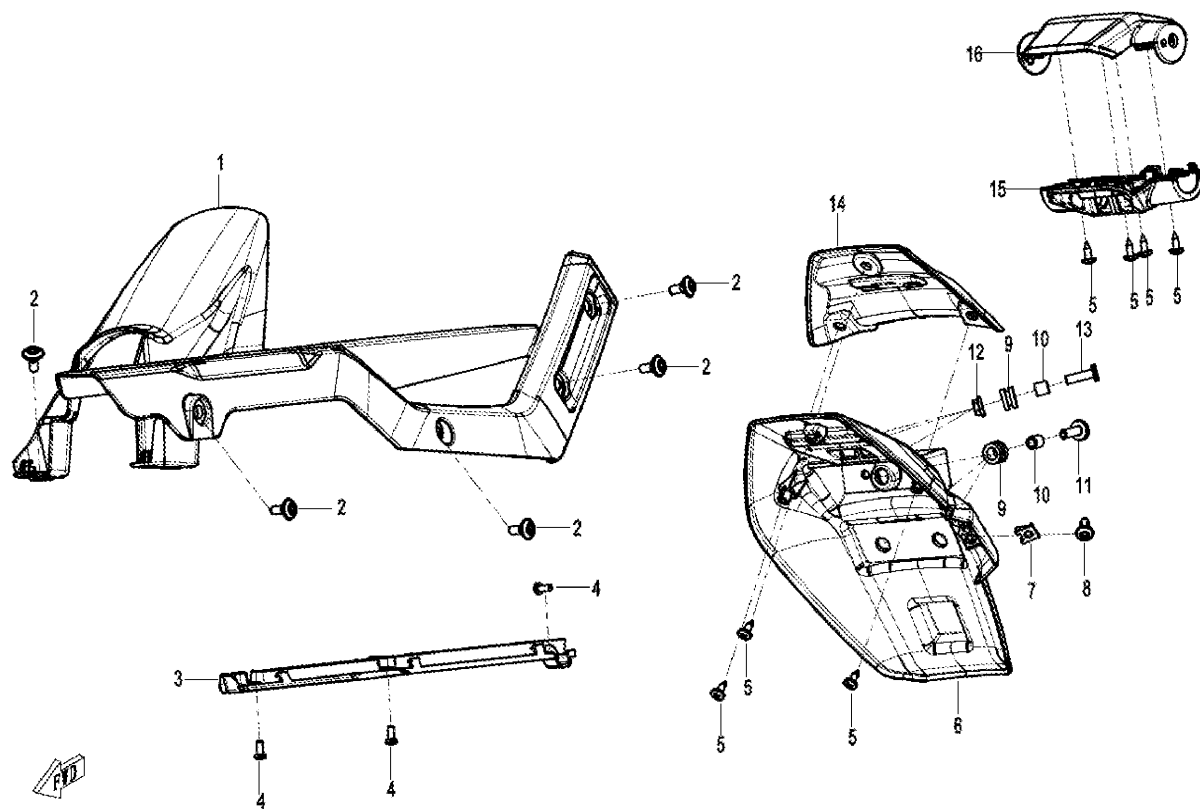
F04-4 塑料件IV/PLASTICS IV



F04-5 塑料件V PLASTICS5

Item No.	Parts Number	Parts Name(EN)	Qty	Specification	Remark(s)	MOQ	Alternative Parts
1	6FIV-040601-7100	REAR INNER FENDER	1			1	
2	6WWW-046602-5000	INNER HEX STEPPED SCREW M6x14	5			10	
3	6FIV-040602-7101	REAR INNER FENDER INNER COVER	1			1	
4	30118-420095010	SELF-TAPPING SCREW	3	ST4.2x9.5@TRIVALENT CHROMIUM		10	
5	30110-421130010	SELF-TAPPING SCREW	7	2x13@COLOR ZINC TRIVALENT CHRO		10	30110-420130070
6	6FIV-040611-7100	REAR FENDER	1			1	6FIV-040611-7101
7	6KM#-040081-8000-M1	NUT CLIP M5	1			10	
8	6WWW-047102-5000	INNER HEX SCREW M5x14	1			10	
9	6KM#-040302-8000	CUSHION SLEEVE	6			1	
10	6090-040303	BUSHING	6			10	
11	6WWW-046902-5000	INNER HEX SCREW M6x20	3			10	
12	30204-060810	NUT	3	M6		10	
13	6WWW-047102-5000	INNER HEX SCREW M5x14	3			10	
14	6FIV-040612-7100	REAR FENDER INNER COVER	1			1	
15	6FIV-041512-7101	LICENSE LIGHT LOWER COVER	1			1	6FIV-041512-7102
16	6FIV-041511-7101	LICENSE LIGHT UPPER COVER	1			1	6FIV-041511-7102/6FIV-041511-7102

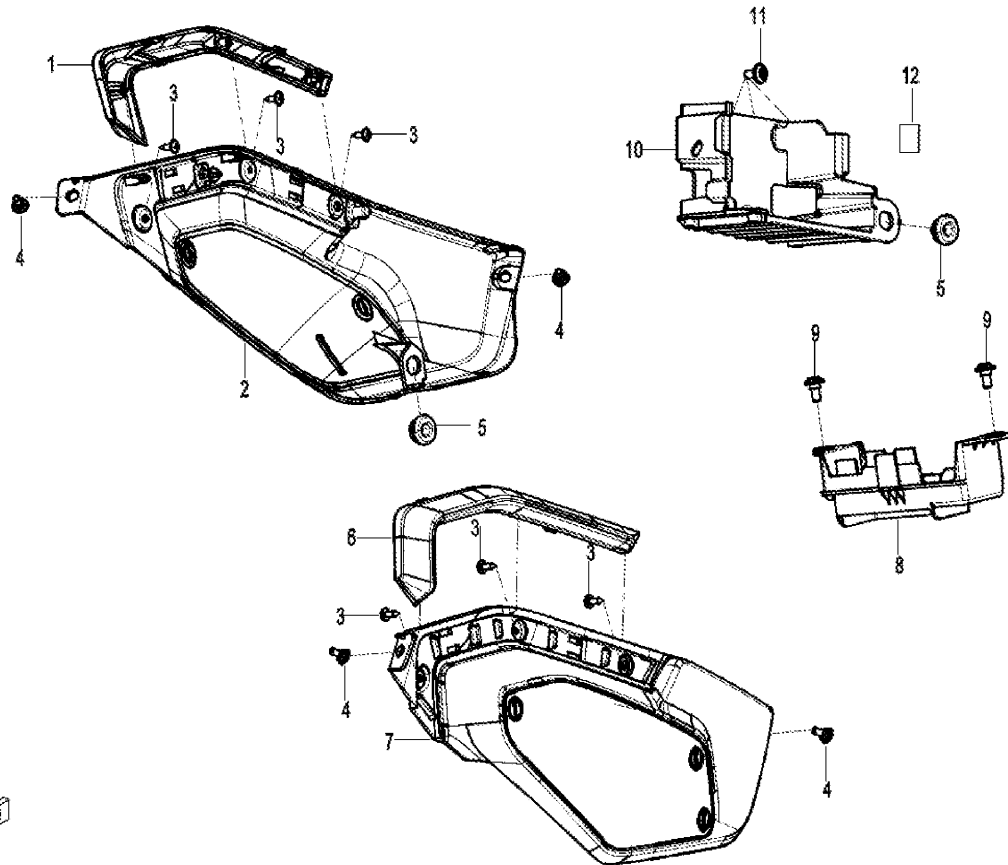
F04-5 塑料件 V/PLASTICS V



F04-6 塑料件VI PLASTICS 6

Item No.	Parts Number	Parts Name(EN)	Qty	Specification	Remark(s)	MOQ	Alternative Parts
1	6FIV-040314-7100-OVR00	RH SIDE COVER DECO PART	1	ELECTRO SILVER		1	
1	6FIV-040314-7100-0BU00	RH SIDE COVER DECO PART	1	JET BLACK		1	
2	6FIV-040312-7101	RH SIDE COVER	1			1	
3	30110-421130010	SELF-TAPPING SCREW	6	x13@COLOR ZINC TRIVALENT CHRO		10	30110-420130070
4	6WWW-046502-5000	STEPPED SCREW M5	4			10	5BWV-040017-5000
5	6FIV-040401-7100	MUSHROOM HEAD RUBBER BOOT	2	SLOTTED HOLE IN PLASTIC PART		1	
6	6FIV-040313-7100-OVR00	SIDE COVER DECO PART	1	ELECTRO SILVER		1	
6	6FIV-040313-7100-0BU00	LH SIDE COVER DECO PART	1	JET BLACK		1	
7	6FIV-040311-7101	LH SIDE COVER	1			1	
8	6FIV-041501-7100	ELECTRICAL BOX	1			1	
9	6WWW-046602-5000	INNER HEX STEPPED SCREW M6x14	2			10	
10	6FIV-041502-7100	BATTERY BOX	1			1	
11	6WWW-046702-5000	INNER HEX SCREW M6x12	3			10	6WWW-046802-5000
12	9010-120008	SPONGE PAD, FUEL TANK	5			10	

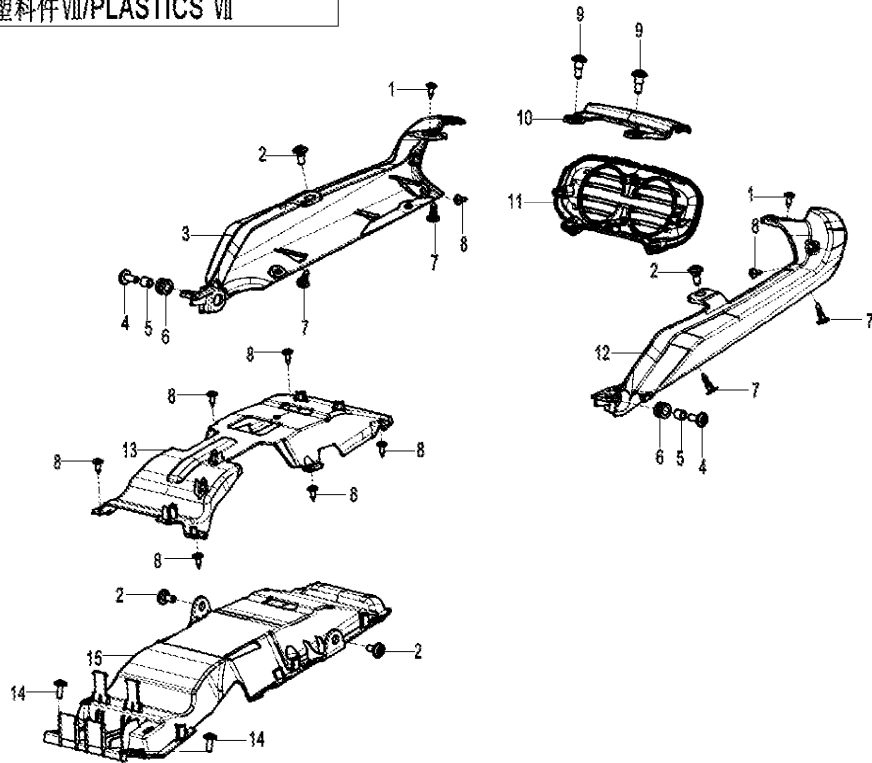
F04-6 塑料件VI/PLASTICS VI



F04-7 塑料件VII PLASTICS 7

Item No.	Parts Number	Parts Name(EN)	Qty	Specification	Remark(s)	MOQ	Alternative Parts
1	30110-420095010	SELF-TAPPING SCREW	2	ST4.2x9.5@COLOR ZINC-PLATED		10	
2	6WWW-046602-5000	INNER HEX STEPPED SCREW M6x14	4			10	
3	6FIV-041614-4100-0VE00	TAIL LIGHT RH PANEL	1	NEBULA WHITE		1	
3	6FIV-041614-4100-0BM00	TAIL LIGHT RH PANEL	1	NEBULA BLACK		1	
4	6WWW-046802-5000	INNER HEX SCREW M6x16	2			10	
5	6090-040303	BUSHING	2			10	
6	6KM#-040302-8000	CUSHION SLEEVE	2			1	
7	8080-041130	EXPANSION RIVET ASSY	4			10	
8	30110-421130010	SELF-TAPPING SCREW	8	2x13@COLOR ZINC TRIVALENT CHRO		10	30110-420130070
9	6NQ#-000202-6001	CONVEX BOLT	2			6	
10	6FIV-041615-4100-0BM00	TAIL LIGHT UPPER PANEL	1	NEBULA BLACK		1	
10	6FIV-041615-4100-0VE00	TAIL LIGHT UPPER PANEL	1	NEBULA WHITE		1	
11	6FIV-041611-9000	TAIL LIGHT COVER	1			1	
12	6FIV-041613-4100-0VE00	TAIL LIGHT LH PANEL	1	NEBULA WHITE		1	
12	6FIV-041613-4100-0BM00	TAIL LIGHT LH PANEL	1	NEBULA BLACK		1	
13	6FIV-040321-7100	SUB-FRAME SKID PLATE	1			1	
14	6WWW-047102-5000	INNER HEX SCREW M5x14	2			10	
15	6FIV-040322-7100	SUB-FRAME HEAT INSULATION PLATE	1			1	

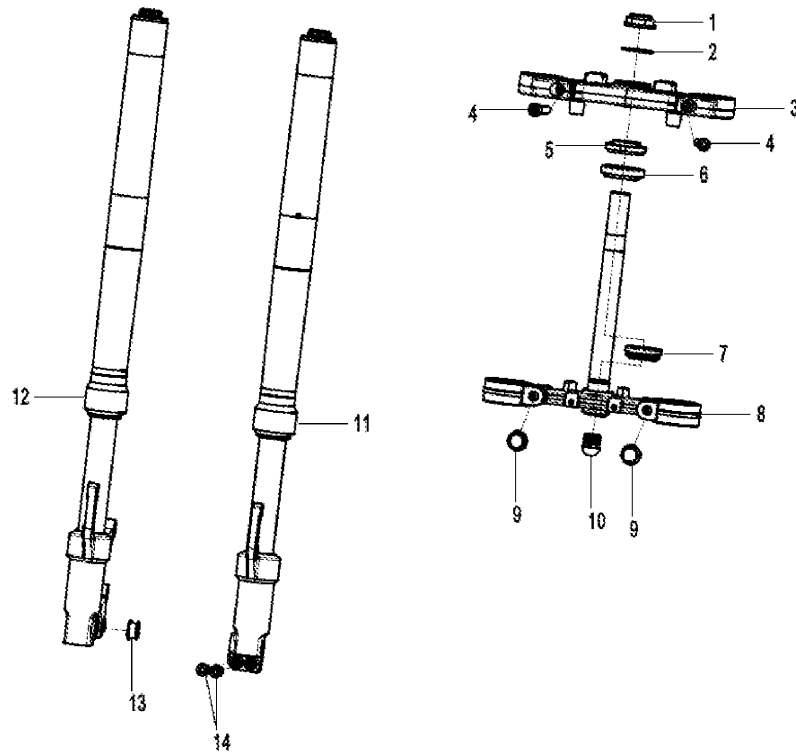
F04-7 塑料件VII/PLASTICS VII



F05 前悬挂 FRONT SUSPENSION

Item No.	Parts Number	Parts Name(EN)	Qty	Specification	Remark(s)	MOQ	Alternative Parts
1	0180-062107-00001	BEVEL GEAR LOCK NUT	1			1	
2	8030-050006	UPPER TRIPLE CLAMP GASKET	1			1	
3	6FIV-050001-4100	UPPER TRIPLE CLAMP	1			1	
4	30102-080025870	INNER HEX SCREW M8×25	2	M8×25		10	
5	5280-050004	LOCK NUT	1			1	
6	5280-050100	UPPER STEERING BEARING ASSY	1			1	5280-050101+5280-050102+5280-050110
7	5280-050200	LOWER STEERING BEARING ASSY	1			1	5280-050102+5280-050110+5280-050202
8	6FIV-050300-4100	NT FORK PIPE LOWER TRIPLE CLAMP	1			1	
9	30006-102035810	BOLT	2	M10×1.25×35		10	
10	6FIV-050011-7000	RUBBER PLUG	1			1	
11	6FIV-050100-7101-M1	FRONT LH SHOCK ABSORBER	1			1	
12	6FIV-050200-7101-M1	FRONT RH SHOCK ABSORBER	1			1	
13	6FIV-050401-7000	RUBBER PLUG	2		NO ABS	2	
14	30102-080030870	SCREW	2	M8×30		10	

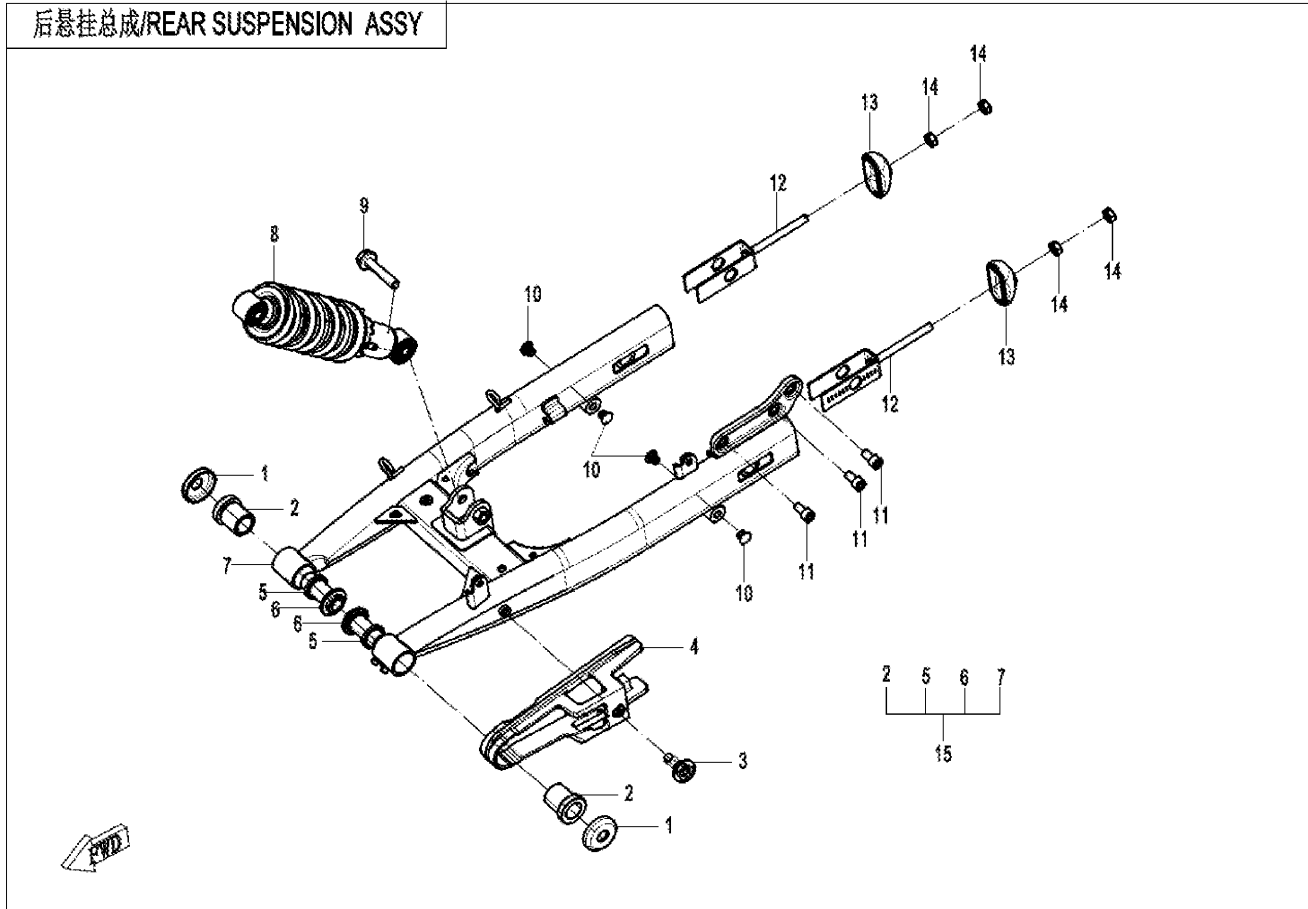
F05 前悬挂/FRONT SUSPENSION



F06 后悬架 REAR SUSPENSION

Item No.	Parts Number	Parts Name(EN)	Qty	Specification	Remark(s)	MOQ	Alternative Parts
1	6KMV-060010-8001	REAR SWING ARM DUST CAP 1	2			1	
2	6100-060008	REAR SWING ARM OUTER BUSHING	2			1	
3	6WWW-046602-5000	INNER HEX STEPPED SCREW M6x14	1			10	
4	6FIV-060001-7001	CHAIN GUARD	1			1	
5	6090-060005	ANTI-DUST RING	2			1	
6	6KJ0-060004-00001	REAR FORK RH INNER BUSHING	2			1	
7	6FIV-060300-7001	REAR FORK ASSY	1	"		1	
8	6FIV-060100-7100-M1	REAR SHOCK ABSORBER	1			1	
9	30006-102050810	BOLT	1	M10x1.25x50		10	
10	6KM#-100002-8000	CLUTCH LEVER PLUG	4			1	
11	30102-080016810	INNER HEX SCREW	3	M8x16		6	
12	6FIV-060020-7000	CHAIN ADJUSTER ASSY	2			1	
13	A000-060201-0BP00	CHAIN ADJUSTER GUARD	2	MAUD SPIRIT BLACK		1	
14	30200-080810	NUT	4	M8		1	
15	6FIV-062300-7001	REAR FORK ASSEMBLY	1			1	

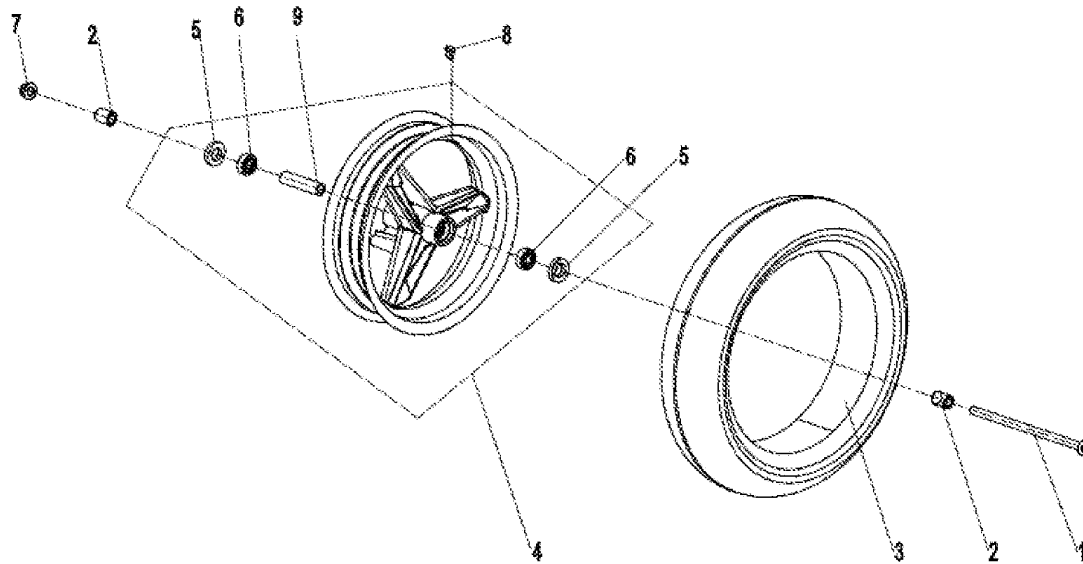
后悬挂总成/REAR SUSPENSION ASSY



F07 前轮 FRONT WHEEL

Item No.	Parts Number	Parts Name(EN)	Qty	Specification	Remark(s)	MOQ	Alternative Parts
01	6FIV-070001-7100	FRONT WHEEL SHAFT	1			1	
02	6KJ0-070002	COLLAR, FRONT WHEEL AXLE	2			1	
03	30705-1215	TIRE	1	FRONT TIRE		1	
04	6FIV-070100-7100-0B200	FRONT RIM ASSY	1			1	
05	6KJV-070103-8000	OIL SEAL	1			1	
06	30400-01280	BEARING	2	6201-2RS		1	
07	30204-122810	NUT	1	M12×1.25		10	
08	5190-070030-1000	VALVE, INFLATION	1			1	
09	6FIV-070102-6000	MIDDLE BUSHING, FRONT RIM	1			1	

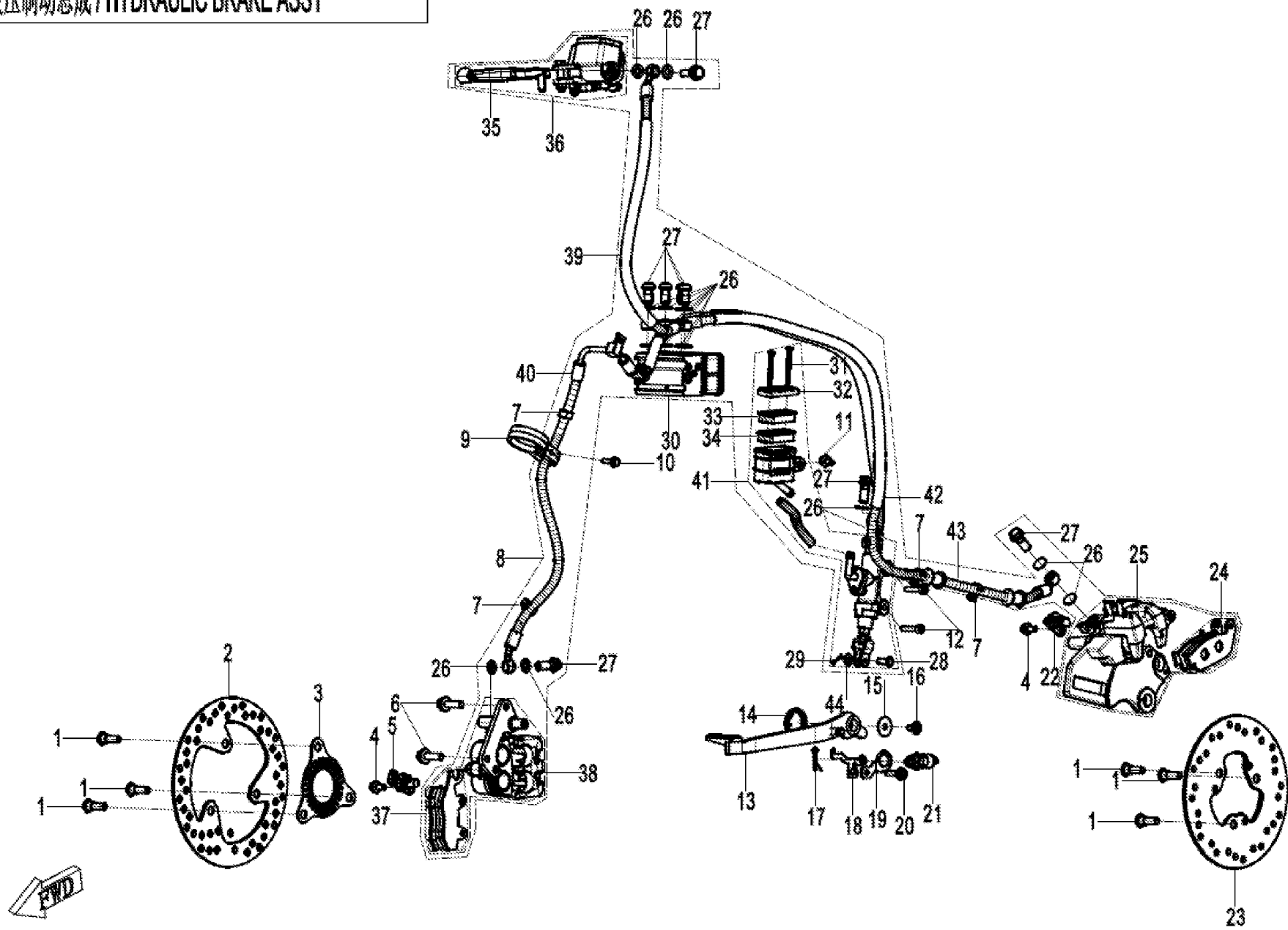
F07 前轮 FRONT WHEEL



F08-A MAB液压制动总成 MAB BRAKE ASSY

Item No.	Parts Number	Parts Name(EN)	Qty	Specification	Remark(s)	MOQ	Alternative Parts
1	8010-080118	BRAKE DISC BOLT	6			10	
2	6FI3-080001	FRONT BRAKE DISC	1			1	
3	6FIV-080003-7000	FRONT GEAR RING	1			1	
4	30006-060012870	BOLTM6x12	2	BLACK ZINC-PLATED		10	
5	6FIV-080004-7000-M1	SPEED SENSOR	1			1	
6	30102-080025870	INNER HEX SCREW M8x25	2	M8x25		10	
7	EAEV-080006-1000	CLIP, BRAKE HOSE	4			1	
8	6FIV-081000-4401	ABS BRAKE ASSY	1			1	
9	6FIV-080005-4100	BRAKE OIL HOSE CLASP	1			1	
10	30102-050016870	SCREW	1	M5x16		1	
11	30006-060012810	BOLT	1	M6x12		10	30006-060012870
12	6WWWV-047002-5000	INNER HEX SCREW M6x25	2			2	
13	6FIV-080300-4100	REAR BRAKE PEDAL ASSY	1			1	
14	6AQV-080400-1000	SPRING	1			1	
15	A000-080006-10000	GASKET 1	1			1	
16	6WWWV-046702-5000	INNER HEX SCREW M6x12	1			10	6WWWV-046802-5000
17	30903-0162010	COTTER PIN	1	GB/T91 1.6x20		1	
18	6FIV-080007-4101	BRAKE SWITCH LIMIT PLATE	1			1	
19	6FIV-080003-4100	BRAKE SWITCH BRACKET	1			1	
20	8010-000004	BOLT M6x14	1	M6x14		10	
21	6FIV-080006-4101-M1	MECHANICAL BRAKE SWITCH ASSY	1			1	
22	6NTV-080004-4101-M1	SPEED SENSOR	1			1	
23	6FIV-080010-7000	REAR BRAKE DISC ASSY	1			1	
24	6FIV-080220-71A0-M1	REAR BRAKE PAD ASSY	1			1	
25	6FIV-080220-7100-M1	REAR BRAKE CALIPER ASSY	1			1	
26	6KM#-081000-8100-20	WASHER	16			1	A000-080102-2000
27	6KM#-080103-8101	PIPE BOLT	7			1	6GU#-081000-6000-23
28	30904-0062270	PIN SHAFT	1			1	
29	30903-0022070	COTTER PIN	1			1	
30	6FIV-081100-4400-M1	ABS CONTROLLER	1			1	
31	A000-080229-2000	SCREW, FLUID RESERVOIR CAP	2			1	
32	6KM0-091201-20000	FLUID RESERVOIR CAP	1			1	
33	6KM0-091202-20000	FLUID RESERVOIR SEALING LINER	1			1	
34	6KM0-091203-20000	FLUID RESERVOIR SEALING GASKET	1			1	
35	6KMV-081100-B000-20	BRAKE HANDLE	1			1	
36	6KMV-081100-B100-M1	HAND BRAKE MASTER CYLINDER	1			1	
37	6FIV-080120-71A0-M1	FRONT BRAKE PAD ASSY	1			1	
38	6FIV-080120-7100-M1	FRONT BRAKE CALIPER ASSY	1			1	
39	6FIV-081010-4000	FRONT BRAKE FLUID INLET HOSE	1			1	
40	6FIV-081020-4000	FRONT BRAKE FLUID OUTLET HOSE	1			1	
41	6FIV-081200-4000-M1	REAR BRAKE MASTER CYLINDER	1			1	
42	6FIV-090270-9200	REAR BRAKE FLUID INLET HOSE	1			1	
43	6FIV-081040-7000	REAR BRAKE FLUID OUTLET HOSE	1			1	
44	30304-006170	PLAIN WASHER	1	C CLASS		1	

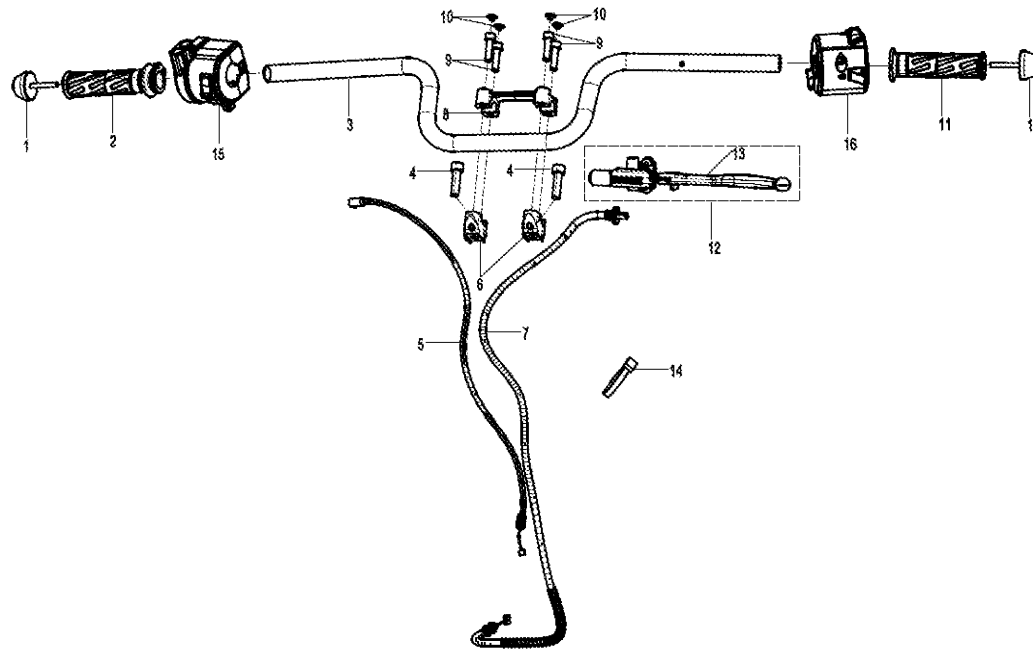
液压制动总成 / HYDRAULIC BRAKE ASSY



F10 转向系统 STEERING SYSTEM

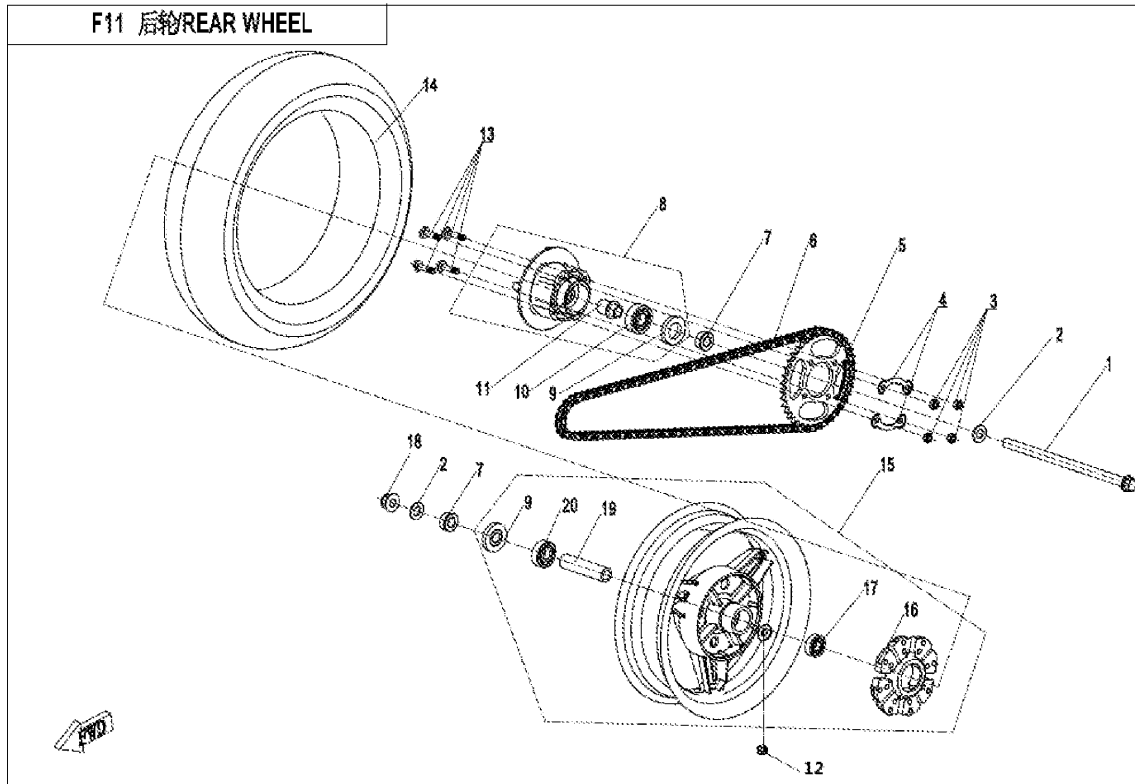
Item No.	Parts Number	Parts Name(EN)	Qty	Specification	Remark(s)	MOQ	Alternative Parts
1	6F13-100020-10000	BALANCE BLOCK ASSY	2			1	
2	5280-100020	RH HAND GRIP ASSY	1			1	
3	6FIV-100100-4000-0BU00	HANDLEBAR PIPE	1	JET BLACK		1	
4	30102-102035810	SCREW	2	M10×1.25×35		1	
5	6FIV-100400-4000	THROTTLE CABLE	1			1	
6	6FIV-100031-4000-0BP00	HANDLEBAR BRACKET	2	MAUD SPIRIT BLACK		1	
7	6FIV-100600-4000	CLUTCH CABLE	1			1	
8	6FIV-100003-4000	HANDLEBAR COVER	1			1	
9	30102-080025810	SCREW	4	M8×25		10	
10	6L32-100006	HANDLEBAR SCREW DECO COVER	4			1	
11	5280-100001	LH HAND GRIP	1			1	
12	6F13-100300-10000	CLUTCH LEVER ASSY	1			1	
13	6F13-100301	CLUTCH LEVER	1	ABS		1	
14	6KJ0-100002	CLUTCH PULL BINDING	2			1	
15	6FIV-167000-2000	RH HANDLEBAR SWITCH ASSEMBLY	1			1	
16	6FIV-166000-4101	LH HANDLEBAR SWITCH ASSEMBLY	1			1	

转向机构总成/STEERING SYSTEM



F11 后轮 REAR WHEEL

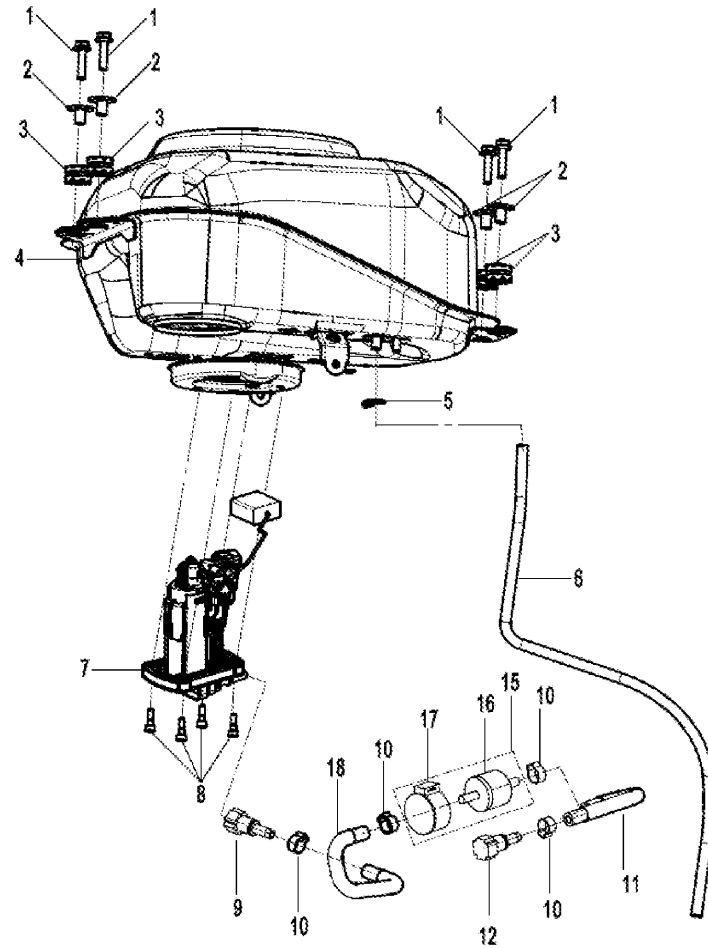
Item No.	Parts Number	Parts Name(EN)	Qty	Specification	Remark(s)	MOQ	Alternative Parts
01	6FIV-110001-7100	REAR WHEEL SHAFT	1			1	
02	30306-140112	WASHER	2	φ14		6	
03	30200-080810	NUT	4	M8		1	
04	6KJ0-110004	LOCK PAD	2			1	
05	6FI2-110003-10000	REAR SPROCKET	1			1	
06	3120951	MOTORCYCLE CHAIN	1			1	
07	6KJ0-110001-10000	REAR WHEEL RH SHAFT SLEEVE	2			1	
08	6090-112100	SPROCKET SEAT ASSY	1			1	6FJV-112000-1400
09	30500-027800N	OIL SEAL	2	FB27x47x7		1	
10	30400-02001	BEARING	1	20×47×14		1	
11	5280-112101	SHAFT SLEEVE	1			1	
12	5190-070030-1000	VALVE, INFLATION	1			1	
13	6KJ0-110003	BOLT	4			1	
14	30705-1216	TIRE	1	REAR TIRE		1	
15	6FIV-110100-6001-0B200	REAR RIM ASSY	1	MATTE BLACK		1	
16	6KJV-110004-8000	DAMPING RUBBER, SPROCKET SEAT	1			1	
17	30400-01580	BEARING	1	6202-2RS		1	
18	30204-143810	NUT	1	M14×1.5		10	
19	6FIV-110102-6000	CENTER SPACER, REAR RIM	1			1	
20	30400-01583	BEARING	1	6302-2RS		1	



F12 油箱 FUEL TANK

Item No.	Parts Number	Parts Name(EN)	Qty	Specification	Remark(s)	MOQ	Alternative Parts
1	30006-060025810	BOLT	4	M6×25		10	
2	5020-031002	RUBBER SLEEVE LINER	4	FOR FRONT LICENSE BRACKET		6	
3	5020-031001	RUBBER SLEEVE, FRONT LICENSE BRACKET	4			10	
4	6FJV-121000-1200	FUEL TANK ASSY	1			1	
5	30601-111010	CLAMP	1	1@COLOR ZINC TRIVALENT CHROME		6	
6	6KMV-120001-C000	FUEL TANK BREATHER HOSE	1			1	
7	6FIV-150900-2500	FUEL PUMP ASSY	1			1	
8	30006-050020810	BOLT	4	M5×20		6	
9	8AJV-120210-1000-M1	CLAMP	2			1	
10	6070-120400	CLAMP(Φ14.5)	2	Dia14.5		6	
11	6FIV-120030-7100	HIGH-PRESSURE FUEL HOSE ASSY	1			1	
12	8AJV-120220-1000-M1	QUICK JOINT	1			1	

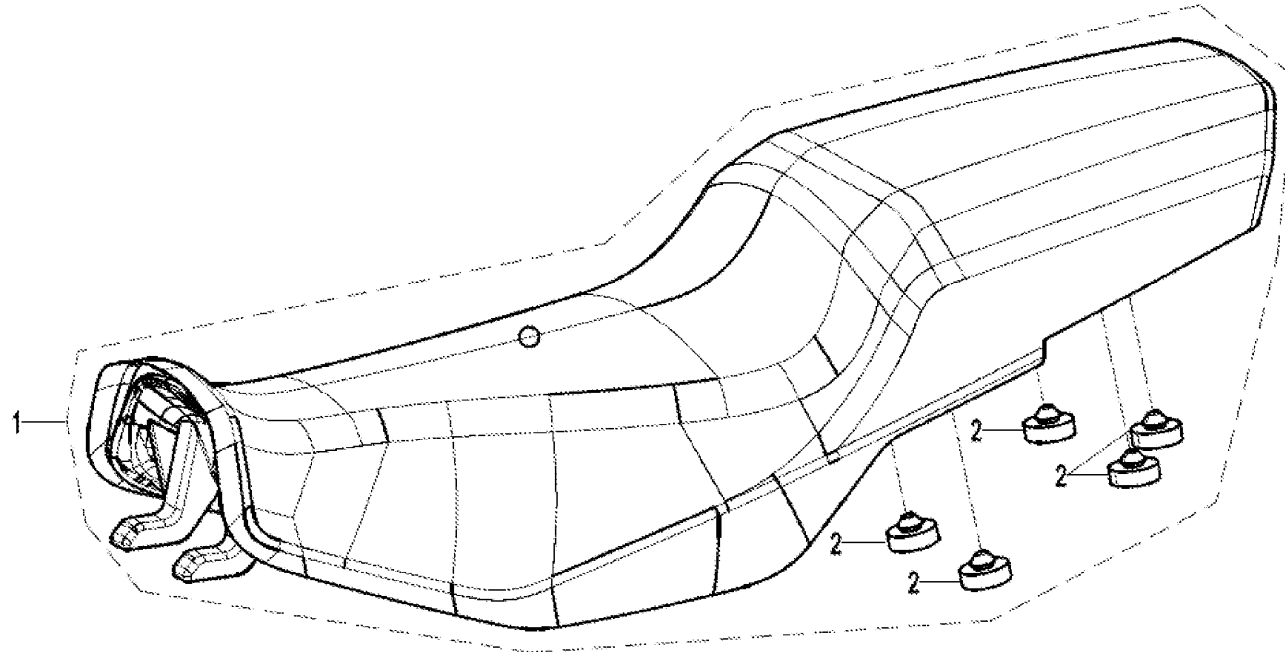
油箱/FUEL TANK



F13 座垫 SEAT

Item No.	Parts Number	Parts Name(EN)	Qty	Specification	Remark(s)	MOQ	Alternative Parts
1	6FJV-130100-1300	SEAT ASSY	1		ABS	1	
2	6KM0-130205	CUSHION RUBBER WAHSER	5			10	

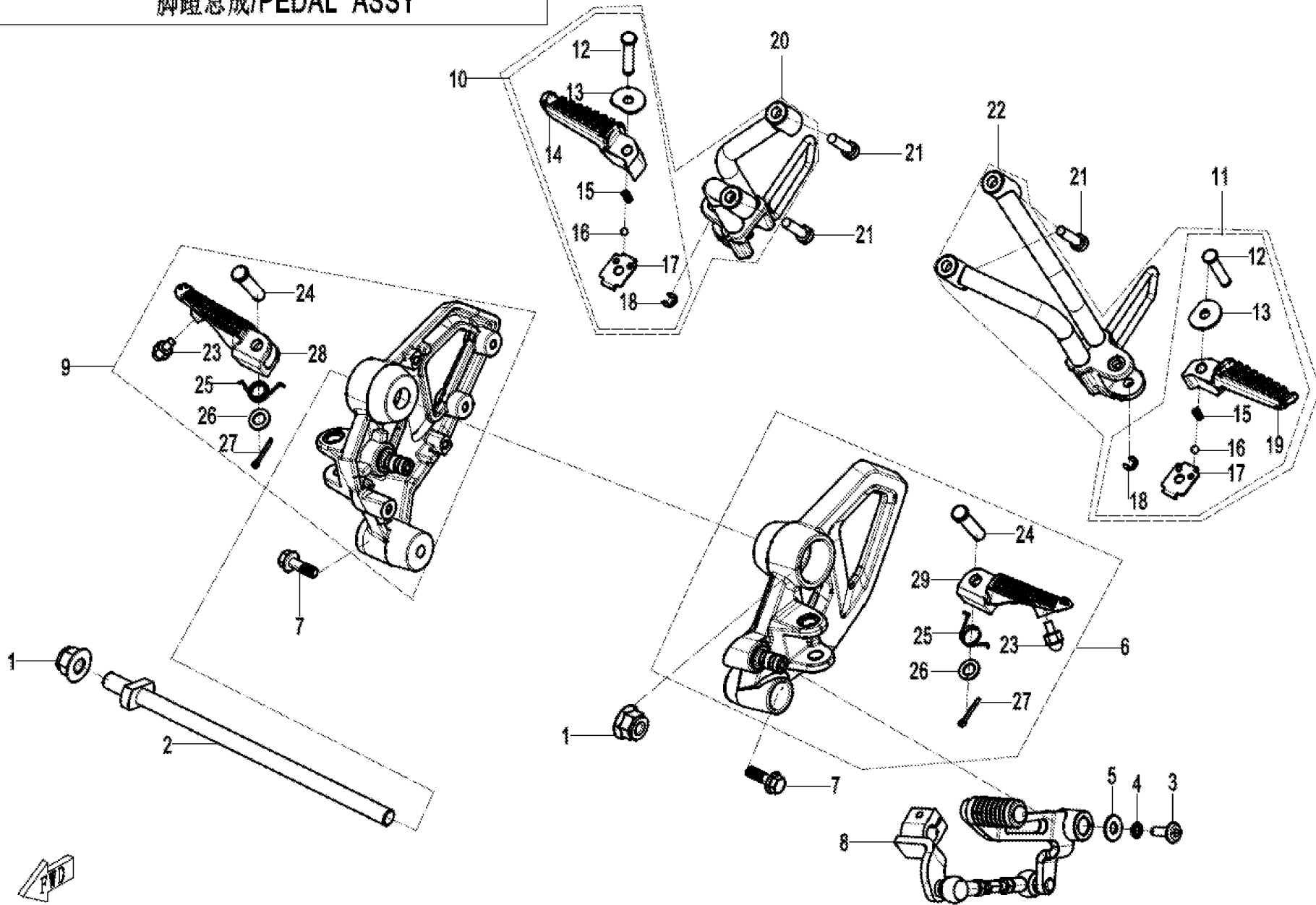
F13座垫总成/SEAT ASSY



F14-1 脚蹬 FOOTREST

Item No.	Parts Number	Parts Name(EN)	Qty	Specification	Remark(s)	MOQ	Alternative Parts
1	30204-143810	NUT	2	M14×1.5		10	
2	6FI3-060007	REAR FORK SHAFT	1			1	
3	6WWW-046802-5000	INNER HEX SCREW M6×16	1			10	
4	30303-060152	WASHER	1	6		10	30303-060112
5	30301-060470	WASHER	1	φ6		1	
6	6FIV-142000-9200	FRONT LH FOOTREST ASSY	1			1	
7	30006-080040810	BOLT	2	M8×40		6	
8	6FIV-141000-9200	GEARSHIFT ASSY	1			1	
9	6FIV-143000-9200	FRONT RH FOOTREST ASSY	1			1	
10	A000-1401B0	REAR FOOTREST, RH	1			1	
11	A000-1401A0	REAR FOOTREST, LH	1			1	
12	A000-140142	PIN SHAFT 8	2	Dia 8		2	
13	A000-140106	LOCATING GASKET 2	2			2	
14	A000-140109	REAR RH FOOTREST	1			1	
15	5190-037813	SPRING	2			1	
16	5190-037814	STEEL BALL	2			2	
17	A000-140104	LOCATING GASKET 1	2			2	6HVV-140006-1000
18	30802-00603	SPLIT WASHER 6	2	GB/T896_6		2	
19	A000-140108	REAR LH FOOTREST	1			1	
20	6FIV-140800-2500	REAR RH FOOTREST ASSY	1			1	
21	30102-080025810	SCREW	4	M8×25		10	
22	6FIV-140700-2500	REAR LH FOOTREST ASSY	1			1	
23	6KM0-130123	BOLT	2			1	
24	6WWW-140141-5000	PIN SHAFT	2			10	
25	A000-140103-20000	SPRING	2			1	
26	30300-100112	WASHER	2	φ10		10	
27	30903-0322210	COTTER PIN	2	x22@COLOR ZINC TRIVALENT CHROM		10	
28	6FIV-140900-7100	FRONT RH FOOTREST SEAT	1			1	
29	6FIV-140800-7100	REAR RH FOOTREST ASSY	1			1	

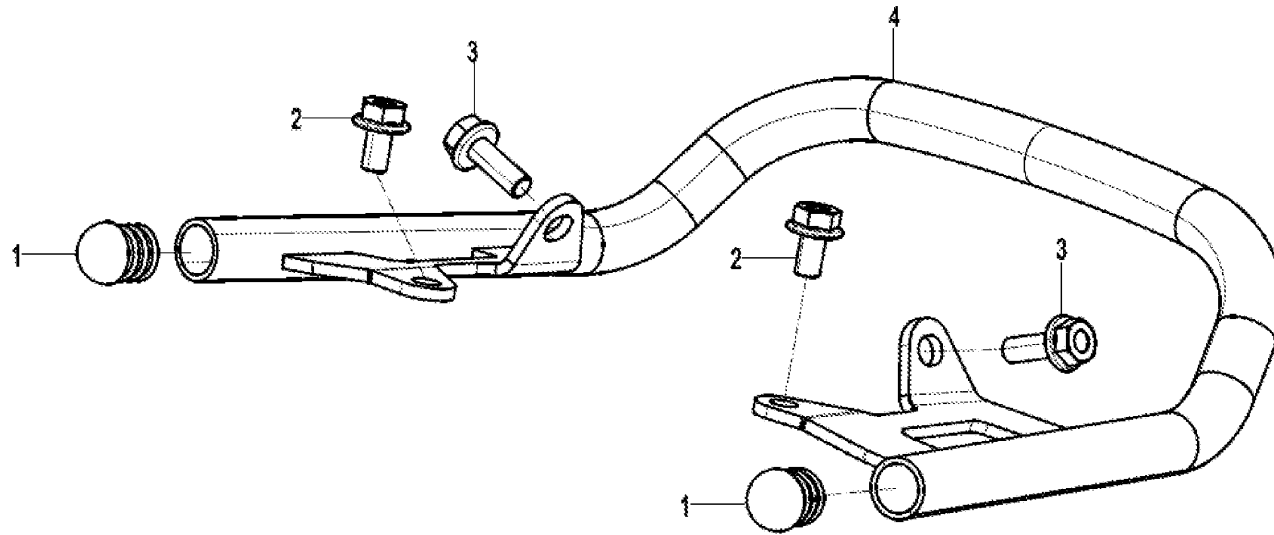
脚踏总成/PEDAL ASSY



F14-2 后扶手 REAR ARMREST

Item No.	Parts Number	Parts Name(EN)	Qty	Specification	Remark(s)	MOQ	Alternative Parts
1	6FIV-050011-7000	RUBBER PLUG	2			1	
2	30006-080016810	BOLT	2	16@COLOR ZINC TRIVALENT CHROM		10	
3	30006-080020810	BOLT	2	M8x20@COLOR ZINC PLATED		10	
4	6FIV-140010-4101	REAR ARMREST	1			1	

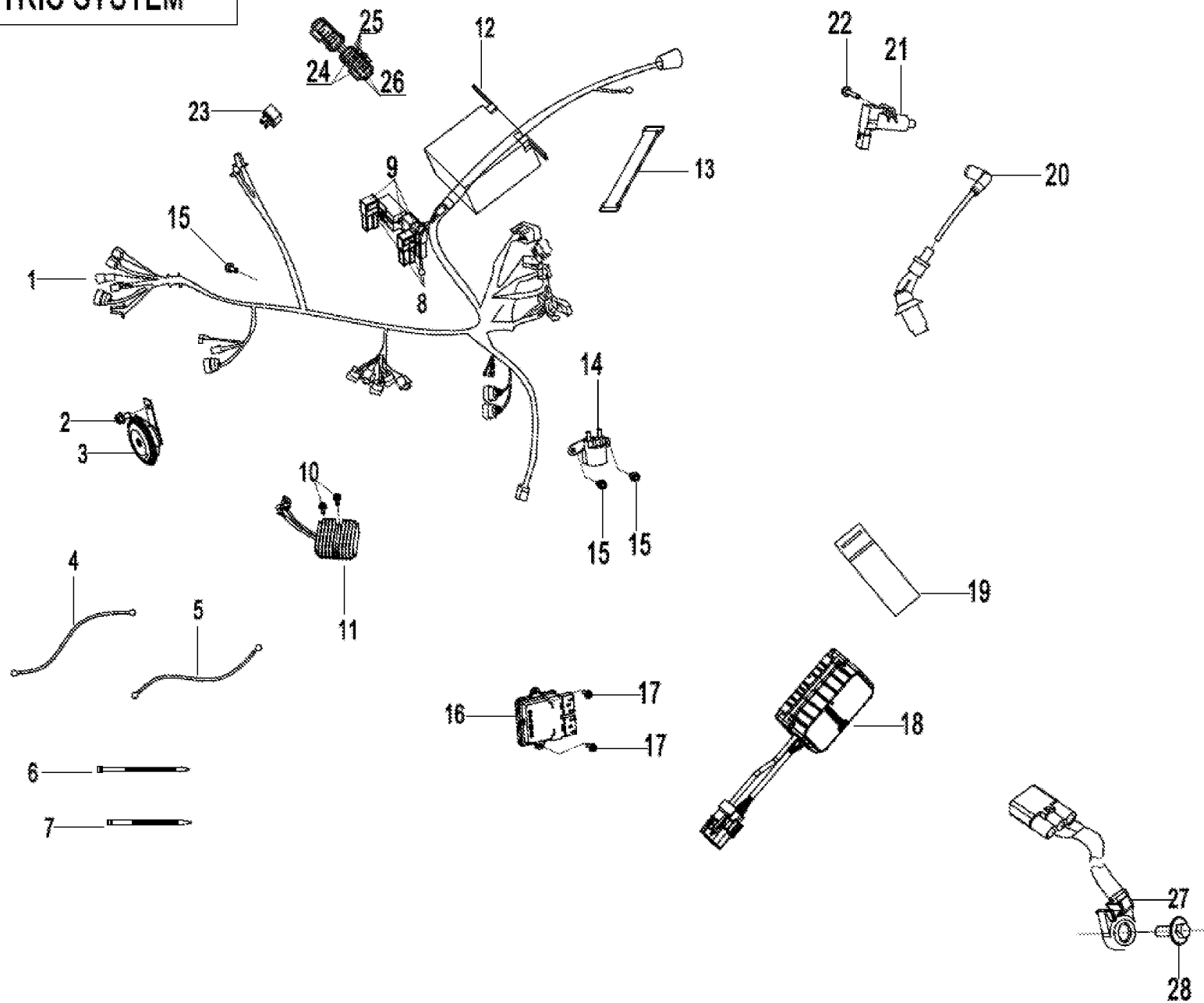
后扶手/REAR ARMREST



F15-A 电器系统(ABS) ELECTRIC SYSTEM(ABS)

Item No.	Parts Number	Parts Name(EN)	Qty	Specification	Remark(s)	MOQ	Alternative Parts
1	6FIV-150100-4400	MAIN CABLE	1			1	
2	6FIV-150600-7000	HORN	1			1	
3	30006-080014810	BOLT	1	M8×14		10	
4	6FIV-150420-7100	BATTERY NEGATIVE CABLE	1			1	
5	6FIV-150176-7102	LICENSE LIGHT ADAPTOR CABLE	1			1	
6	8010-150003	TIE BAND	9	5x250		1	
7	801F-100101	TIE BAND	2			10	
8	9010-150002	AUXILIARY RELAY RUBBER RING	3			6	
9	CFCV-150524-2000-M1	AUXILIARY RELAY	3			1	
10	30006-060022810	BOLT	2	M6×22		6	
11	6FIV-177000-7000	REGULATOR	1			1	
12	6FIV-151600-7001-M1	BATTERY	1			1	
13	1080-150700	BATTERY TIE BAND	1			1	
13	9RHV-150700-1001	TIE BAND, BATTERY	1			1	
14	5270-150500	STARTER RELAY	1			1	
15	30006-060012810	BOLT	3	M6×12		10	30006-060012870
16	6FIV-001000-2500	ECM ASSY	1			1	
17	30102-060012810	SCREW	2	M6×12		10	
18	SN1V-691100-1201-11	T-BOX	1	Africa and Australia except Turkey, BN	EU/AU/MIDDLE EAST/AFRICA/SOUTHEAST ASIA/WESTERN ASIA	1	
18	SN1V-691100-1301-11	T-BOX	1	North Amrica		1	
18	SN1V-691100-1401-11	T-BOX	1	lyTech@South America except for Bra	OTHER COUNTRIES IN SOUTH AMERICA EXCEPT BRAZIL-ZHIYUAN	1	
18	SN1V-691100-1501-11	T-BOX	1	Turkey	TURKEY-ZHIYUAN	1	
18	SN1V-691100-1601-11	T-BOX	1	Brazil	BRAZIL_ZHIYUAN	1	
18	SN1V-691100-1900-11	T-BOX	1			1	
19	6KMV-150901-B002	T-BOX RUBBER RING	2			2	
20	6FIV-003500-7100	HIGH-PRESSURE CABLE ASSEMBLY	1			1	
21	6FIV-003400-8000	IGNITION COIL	1			1	
22	30006-060035810	BOLT	1	M6×35		6	
23	6090-150500	DIODE, STARTER	3			1	
24	8010-151301	FUSE 5A	2	5A		2	
25	806A-151305	FUSE 15A	5	15A		2	
26	806A-151308	30A FUSE	2			1	
27	6KMV-151500-3000	SIDE STAND SWITCH	1			1	
28	8010-090005	BOLT M6x16	1	M6x16		10	

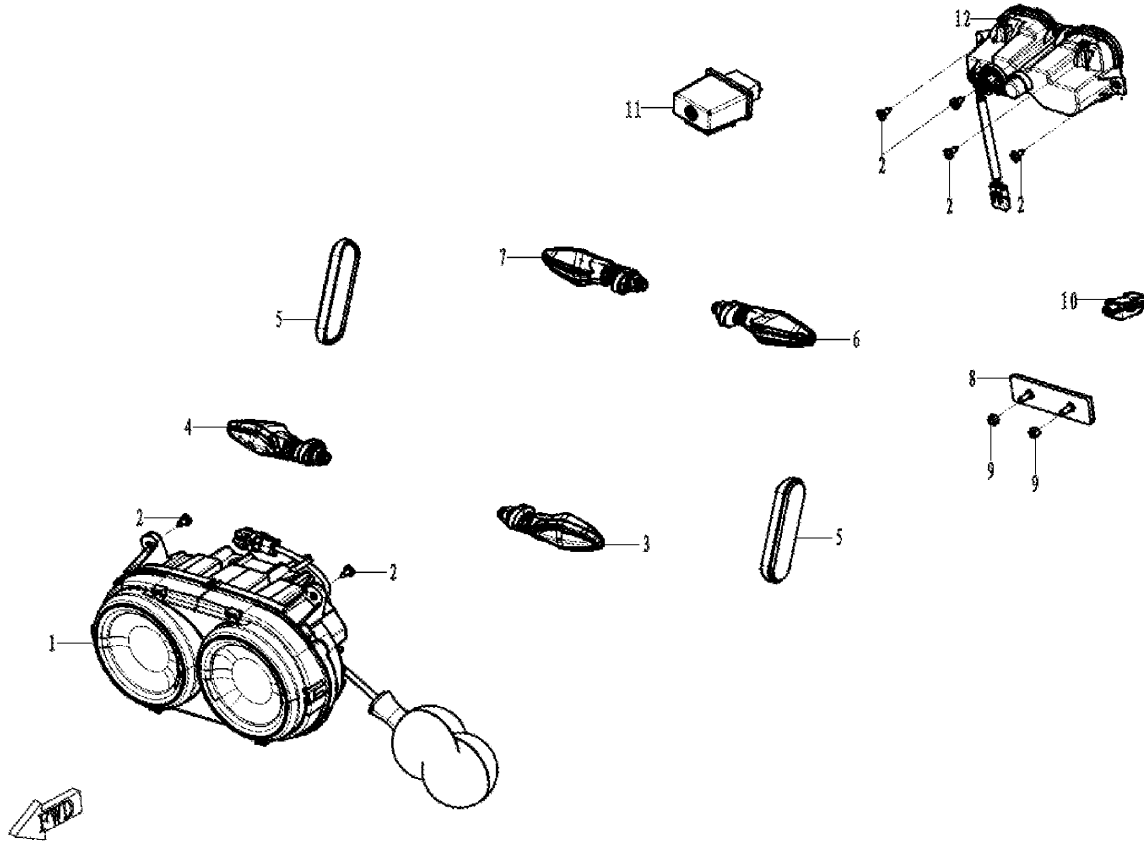
F15 电器系统/ELECTRIC SYSTEM



F16 灯具 LIGHTS

Item No.	Parts Number	Parts Name(EN)	Qty	Specification	Remark(s)	MOQ	Alternative Parts
1	6FIV-160110-7102	HEADLIGHT	1			1	
2	30110-421130010	SELF-TAPPING SCREW	6	x13@COLOR ZINC TRIVALENT CHRO		10	30110-420130070
3	6KWV-160510-1000	FRONT LH TURN LIGHT ASSY	1			1	
4	6KWV-160520-1000	FRONT RH TURN LIGHT ASSY	1			1	
5	6KJV-160920-8001-M1	FRONT SIDE REFLECTOR	2			1	
6	EG5V-160530-1000	REAR LH TURN LIGHT ASSY	1			1	
7	EG5V-160540-1000	RH REAR TURN LIGHT ASSY	1			1	
8	6FIV-160910-4000-M1	REAR REFLECTOR	1			1	
9	30202-050110	NUT	2	M5		10	
10	6GUV-160600-6200	LICENSE LIGHT	1			1	
11	6KM0-150340	FLASHER	1			1	6KIV-161000-2000
12	6FIV-160200-7102	TAIL LIGHT	1			1	

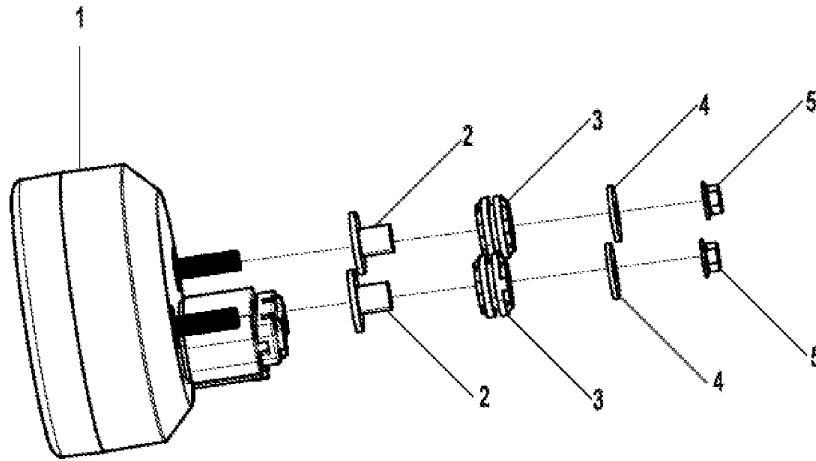
F16照明及信号总成/LAMP ASSY



F17 仪表 DASHBOARD

Item No.	Parts Number	Parts Name(EN)	Qty	Specification	Remark(s)	MOQ	Alternative Parts
1	6FJV-171000-1400	DASHBOARD	1			1	
2	6090-040303	BUSHING	2			10	
3	6WWW-030019-5000	RUBBER BUSHING	2			2	
4	30301-060470	WASHER	2	φ6		1	
5	30202-060110	NUT	2	5@COLOR ZINC TRIVALENT CHROMIUM		10	30204-060810

仪表总成/DASHBOARD ASSY



Item No.	Parts Number	Parts Name(EN)	Qty	Specification	Remark(s)	MOQ	Alternative Parts
1	6FIA-190201-6500	FUEL TANK WARNING LABEL	1			1	



WARNING

Failure to follow these instructions may result in danger.

- Read the owner's manual carefully before riding. Inappropriate modification is not allowed.
- Please wear helmet, protective clothing and other protective gear.
- Do not touch overheated, rotating parts such as exhaust pipe, engine, wheel and ect.
- Please slow down on poor visibility and slippery road.
- Always follow maintenance schedule.

CFMOTO

6FIA-190201-6500

EU162

F19-2-A 贴花(星光黑) DECAL(NEBULA BLACK)

Item No.	Parts Number	Parts Name(EN)	Qty	Specification	Remark(s)	MOQ	Alternative Parts
1	6FJV-190101-1200-10	LH COMMERCIAL NAME DECAL	1			1	
2	6FJV-190102-1200-10	RH COMMERCIAL NAME DECAL	1			1	
3	6FIV-190103-1100-10	FRONT LH PANEL DECAL	1			1	
4	6FIV-190104-1100-10	FRONT RH PANEL DECAL	1			1	
5	6FJV-190105-1200-10	TAIL LIGHT LH PANEL DECAL	1			1	
6	6FJV-190106-1200-10	TAIL LIGHT RH PANEL DECAL	1			1	
7	6FIV-190107-1100-10	LH TCS DECAL	1			1	
8	6FIV-190108-1100-10	RH TCS DECAL	1			1	

6FJV-190100-1200-10个性贴花总成

星光黑车色



01 工件名称: 油箱左护板
工件颜色: 星光黑, 亮光面
工件材料: ABS
粘贴方式: 外贴

02 工件名称: 油箱右护板
工件颜色: 星光黑, 亮光面
工件材料: ABS
粘贴方式: 外贴

03 工件名称: 前左护板
工件颜色: 甜菜根粉, 亮光面
工件材料: ABS
粘贴方式: 外贴

04 工件名称: 右前护板
工件颜色: 甜菜根粉, 亮光面
工件材料: ABS
粘贴方式: 外贴

05 工件名称: 尾灯左护板
工件颜色: 星光黑, 亮光面
工件材料: ABS
粘贴方式: 外贴

06 工件名称: 尾灯右护板
工件颜色: 星光黑, 亮光面
工件材料: ABS
粘贴方式: 外贴

07 工件名称: 左前减装饰件
工件颜色: 黑色, 哑光面 (皮纹件)
工件材料: PP+EPDM-TD10
粘贴方式: 外贴

08 工件名称: 右前减装饰件
工件颜色: 黑色, 哑光面 (皮纹件)
工件材料: PP+EPDM-TD10
粘贴方式: 外贴

F19-2-B 贴花(星光白) DECAL(NEBULA WHITE)

Item No.	Parts Number	Parts Name(EN)	Qty	Specification	Remark(s)	MOQ	Alternative Parts
1	6FJV-190103-1200-11	FUEL TANK LH PANEL DECAL	1			1	
2	6FJV-190104-1200-11	FUEL TANK RH PANEL DECAL	1			1	
3	6FIV-190105-1100-11	FRONT LH PANEL DECAL	1			1	
4	6FIV-190106-1100-11	FRONT RH PANEL DECAL	1			1	
5	6FIV-190107-1100-10	LH TCS DECAL	1			1	
6	6FIV-190108-1100-10	RH TCS DECAL	1			1	
7	6FJV-190107-1200-11	RIM DECAL	4			1	
8	6FJV-190108-1200-11	RIM LH CFMOTO DECAL	2			1	
9	6FJV-190109-1200-11	RIM RH CFMOTO DECAL	2			1	
10	6FJV-190101-1200-11	LH COMMERCIAL NAME DECAL	1			1	
11	6FJV-190102-1200-11	RH COMMERCIAL NAME DECAL	1			1	

6FJV-190100-1200-11 个性贴花总成



01 工件名称: 油箱左护板
工件颜色: 星光白, 亮光面
工件材料: ABS
粘贴方式: 外贴



02 工件名称: 油箱右护板
工件颜色: 星光白, 亮光面
工件材料: ABS
粘贴方式: 外贴



05 工件名称: 前左护板
工件颜色: 星光白, 亮光面
工件材料: ABS
粘贴方式: 外贴



06 工件名称: 右前护板
工件颜色: 星光白, 亮光面
工件材料: ABS
粘贴方式: 外贴



07 工件名称: 左前减装饰件
工件颜色: 黑色, 哑光面 (皮纹件)
工件材料: PP+EPDM-TD10
粘贴方式: 外贴



08 工件名称: 右前减装饰件
工件颜色: 黑色, 哑光面 (皮纹件)
工件材料: PP+EPDM-TD10
粘贴方式: 外贴



09 工件名称: 前/后轮胎 (左右侧)
工件颜色: 哑光黑, 哑光面 (贴花表面为亮光)
工件材料: A356
粘贴方式: 外贴



11 右前 X2
左前 X2



Item No.	Parts Number	Parts Name(EN)	Qty	Specification	Remark(s)	MOQ	Alternative Parts
01	6FIV-190006-4400	MODEL DECAL	2			1	

6FIV-190006-4400 型号贴花

— 刀模线(半模线)

— 覆膜线(整模线)

■ 速感灰

光白亮光

光白哑光

透明亮光

透明哑光

透明内贴

工件名称：尾灯左（右）护板，材料：ABS
 工件颜色：星光白, 亮光面
 粘贴方式：外贴

CF125-10

X2

Item No.	Parts Number	Parts Name(EN)	Qty	Specification	Remark(s)	MOQ	Alternative Parts
01	6FIV-190016-7300	NOISE LABEL	1			1	

6FIV-190016-7300

CFMOTO CF125-8F**STATIONARY NOISE TEST INFORMATION:**

Tested 90 dB(A) at 4125 rpm

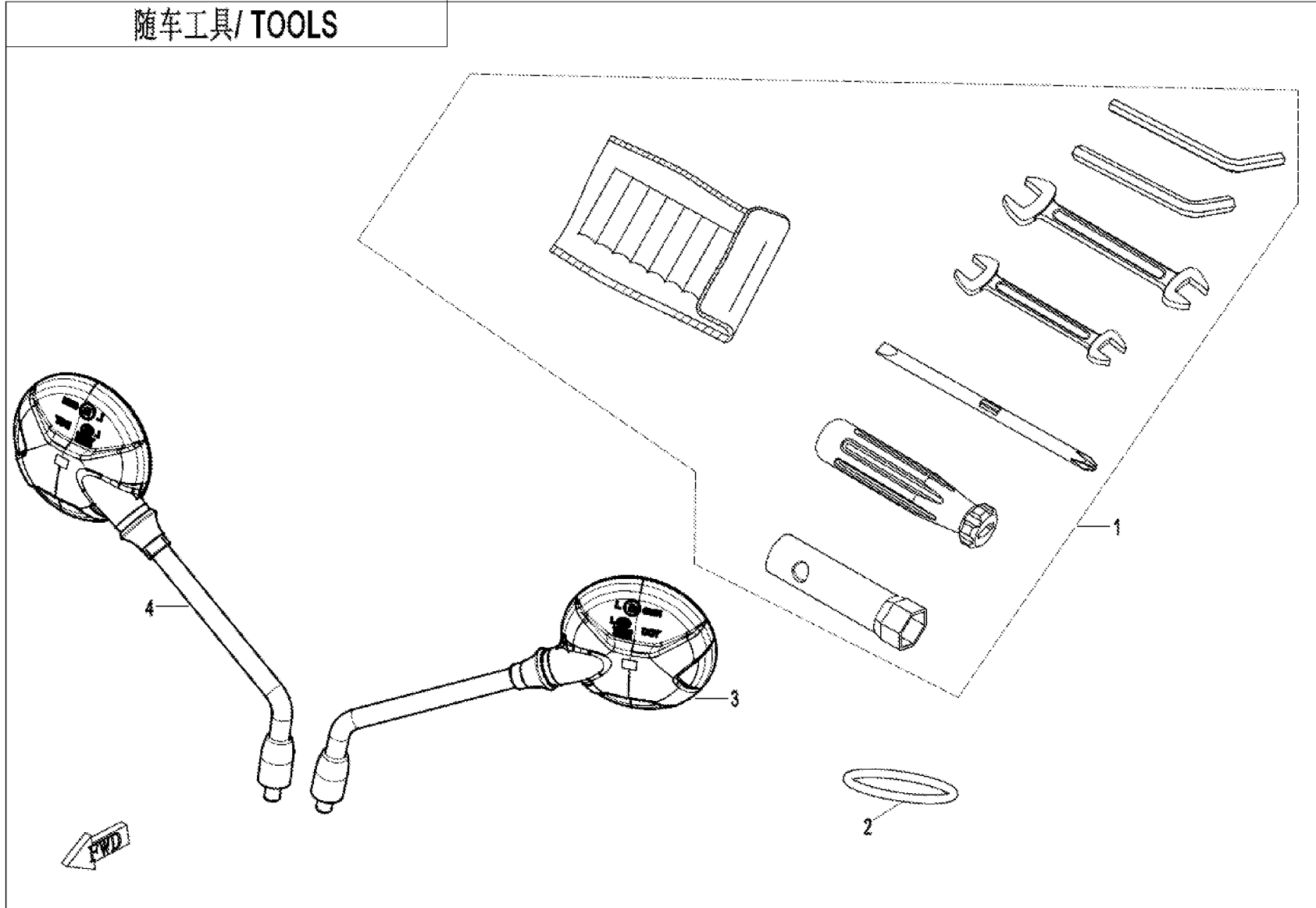
Silencing System: CFMOTO

Identification: 6FIC-MUF-00

CF125-8F LAB

F20 随车工具 TOOLS

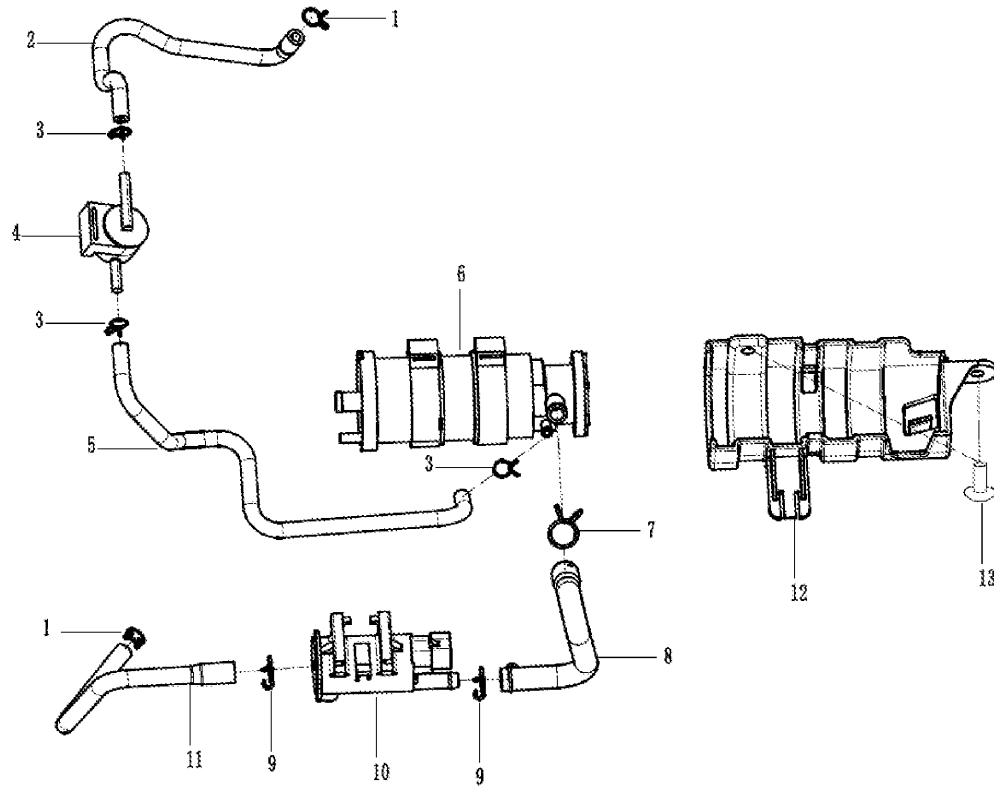
Item No.	Parts Number	Parts Name(EN)	Qty	Specification	Remark(s)	MOQ	Alternative Parts
1	6100-200100-10000	TOOL KIT	1			1	
2	6100-200001	VEHICLE TOOLS TIE BAND	1			1	
3	6KMV-200200-C000	LH REARVIEW MIRROR ASSY	1			1	
4	6KMV-200300-C000	RH REAR VIEW MIRROR ASSY	1			1	



F36 燃油蒸发系统 FUEL VAPORIZATON SYSTEM

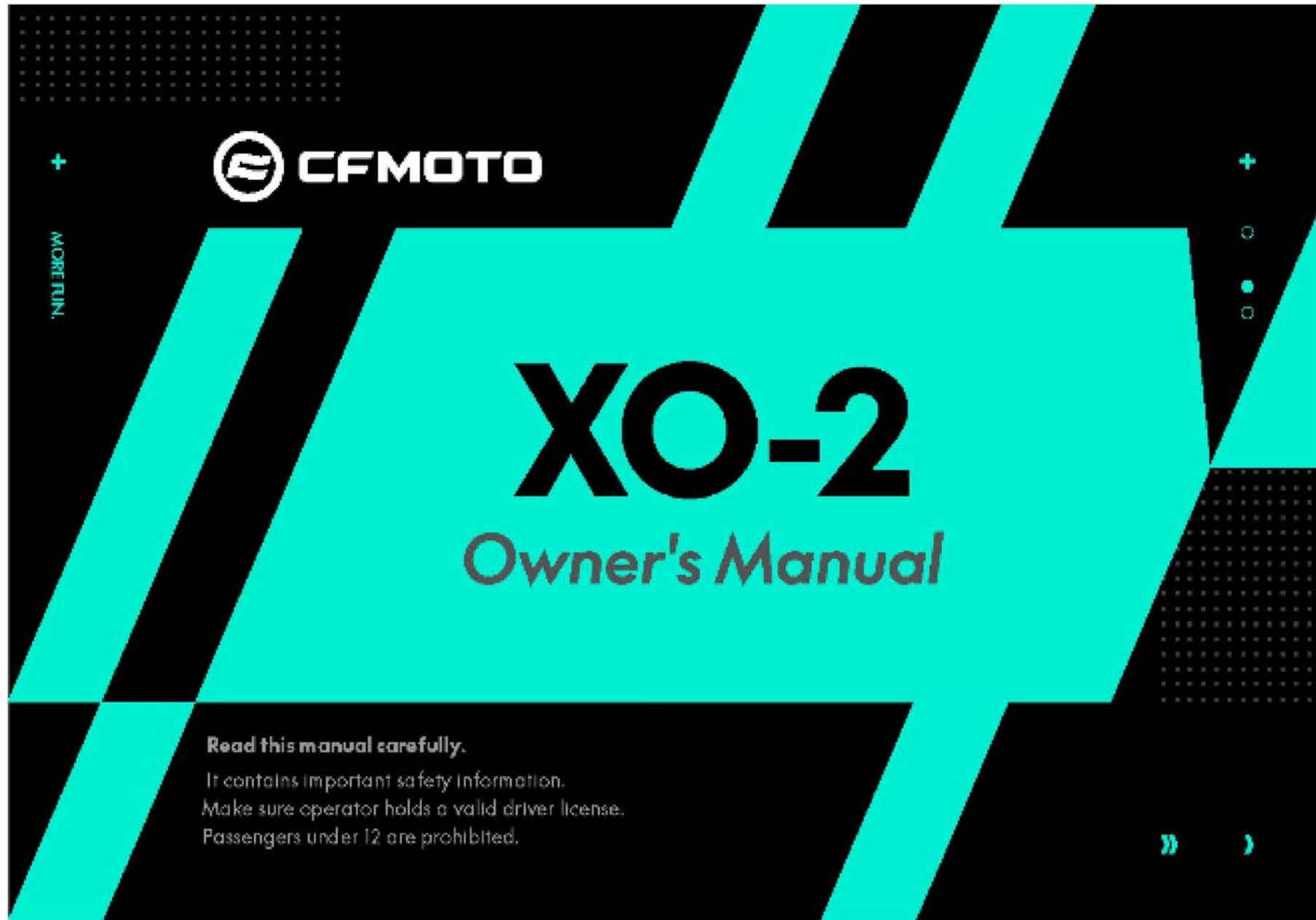
Item No.	Parts Number	Parts Name(EN)	Qty	Specification	Remark(s)	MOQ	Alternative Parts
1	30601-109010	CLAMP	2	A9		6	
2	6FIV-360001-7100	FUEL VAPOR ADSORPTION HOSE 1	1			1	
3	30601-108010	CLAMP	3	3@COLOR ZINC TRIVALENT CHROMIUM		6	
4	606B-360100	ANTI-ROLLOVER VALVE	1			1	
5	6FIV-360002-7100	FUEL VAPOR ADSORPTION HOSE 2	1			1	
6	6FIV-360200-7100	CANISTER	1			1	
7	30601-114010	CLAMP	1	"		1	
8	6FIV-360003-7100	FUEL VAPOR DESORPTION HOSE 1	1			1	
9	30601-112010	CLAMP	2	2@COLOR ZINC TRIVALENT CHROMIUM		6	
10	6FIV-003200-8000	CANISTER MAGNETIC VALVE	1			1	
11	6FIV-360004-7100	FUEL VAPOR DESORPTION HOSE 2	1			1	
12	6FIV-041503-7100	CANISTER BOX	1			1	
13	6WWW-046702-5000	INNER HEX SCREW M6x12	2			10	6WWW-046802-5000

燃油蒸发系统/FUEL EVAPORATION SYSTEM



F38-A 说明书 OWNER'S MANUAL

Item No.	Parts Number	Parts Name(EN)	Qty	Specification	Remark(s)	MOQ	Alternative Parts
1	6FIV-380101-4400-12	EU OWNERS MANUAL	1	EU REGULATION		1	



F38-B 说明书 (日本) OWNER'S MANUAL (JAPAN)

Item No.	Parts Number	Parts Name(EN)	Qty	Specification	Remark(s)	MOQ	Alternative Parts
1	6FIV-380101-4500-12	OWNERS MANUAL	1	EU		1	

F38-C 澳大利亚保修卡 AUSTRALIA WARRANTY CARD

Item No.	Parts Number	Parts Name(EN)	Qty	Specification	Remark(s)	MOQ	Alternative Parts
01	6FIV-380101-7201-22	AUSTRALIA WARRANTY CARD	1			1	

WARRANTY BOOKLET

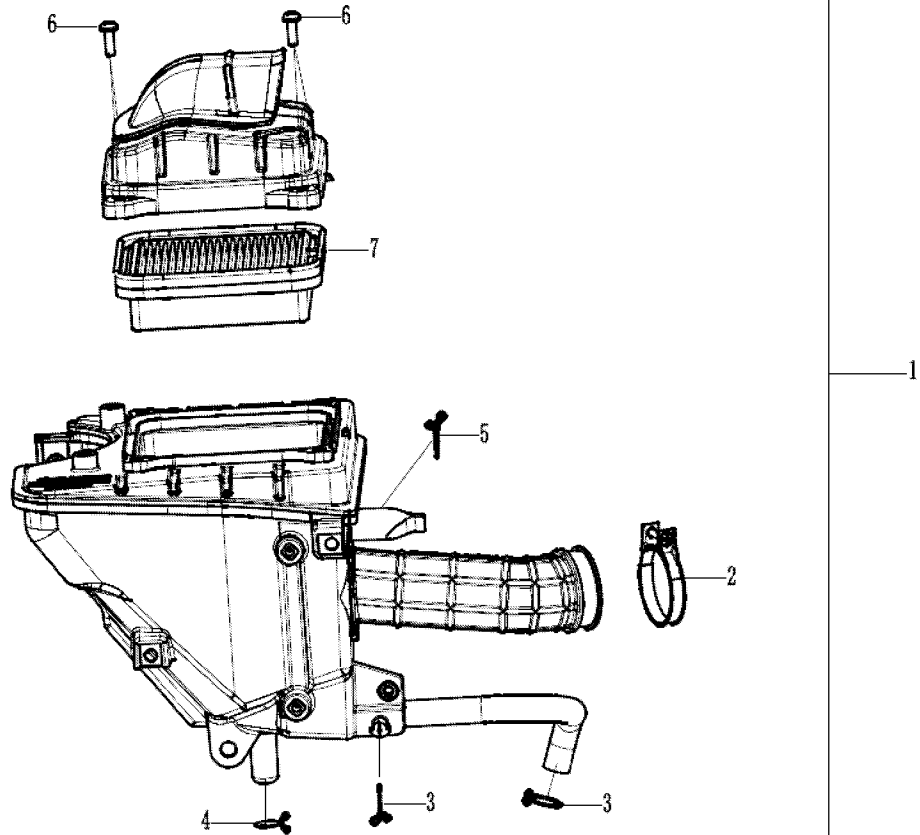
MOTORCYCLE
SCOOTER



F41 空滤器 AIR FILTER

Item No.	Parts Number	Parts Name(EN)	Qty	Specification	Remark(s)	MOQ	Alternative Parts
1	0KIV-110000-4000	AIR FILTER ASSY	1			1	0KIV-110000-4000-10
2	0KIA-110100	d44 CLAMP ASSY	1	d44		1	
3	30601-114010	CLAMP	2	"		1	
4	30601-113510	CLAMP	1			1	30601-113520
5	30601-117010	CLAMP	1	A17		1	
6	30112-050016430	SCREW ASSY	4	M5x16@CHROME-PLATED		6	30112-050016440
7	0KIV-112000-4000	FILTER ELEMENT	1			1	

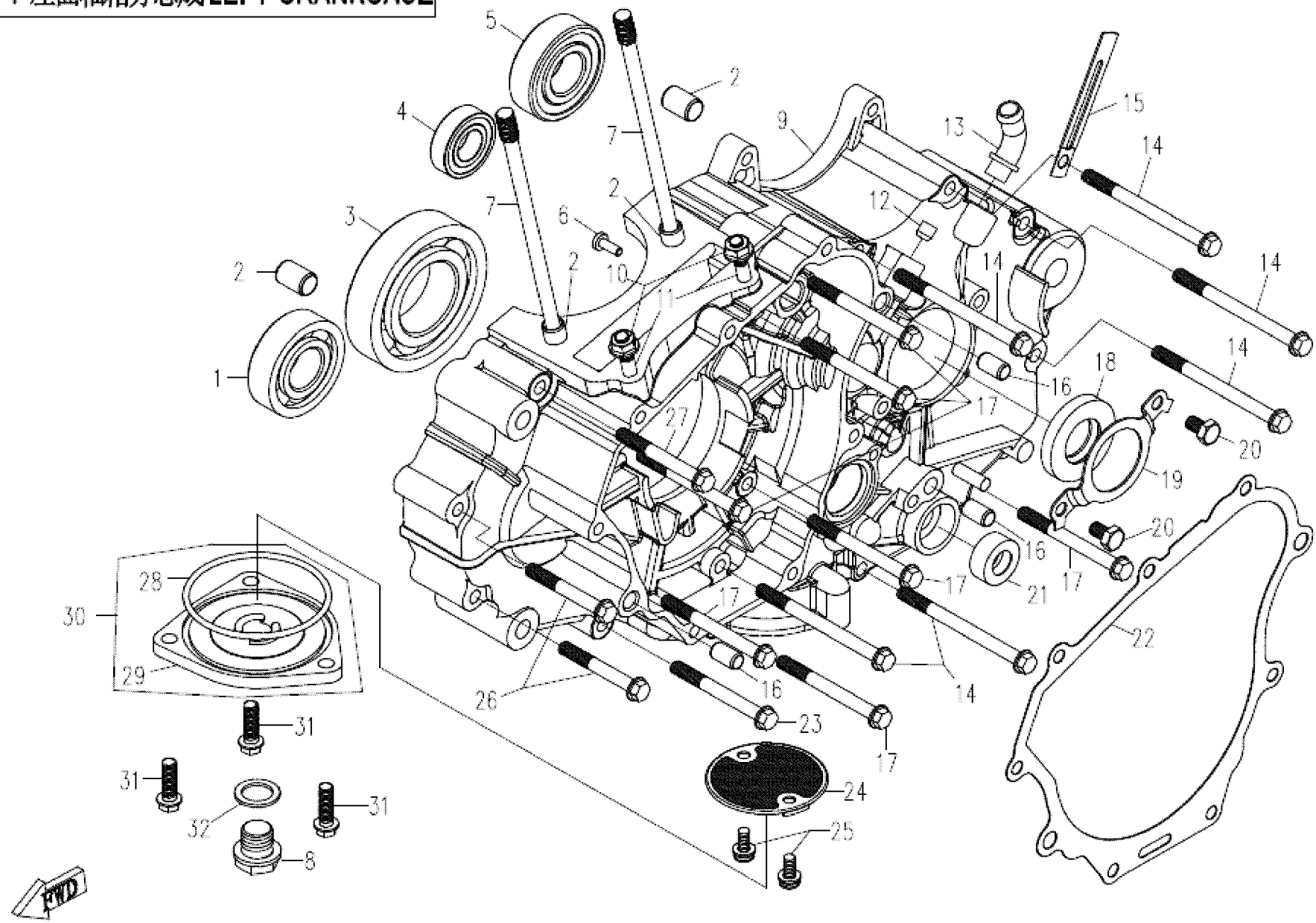
空滤器组/AIR FILTER ASSY



E01-1 左曲轴箱分总成 LEFT CRANKCASE ASSY.

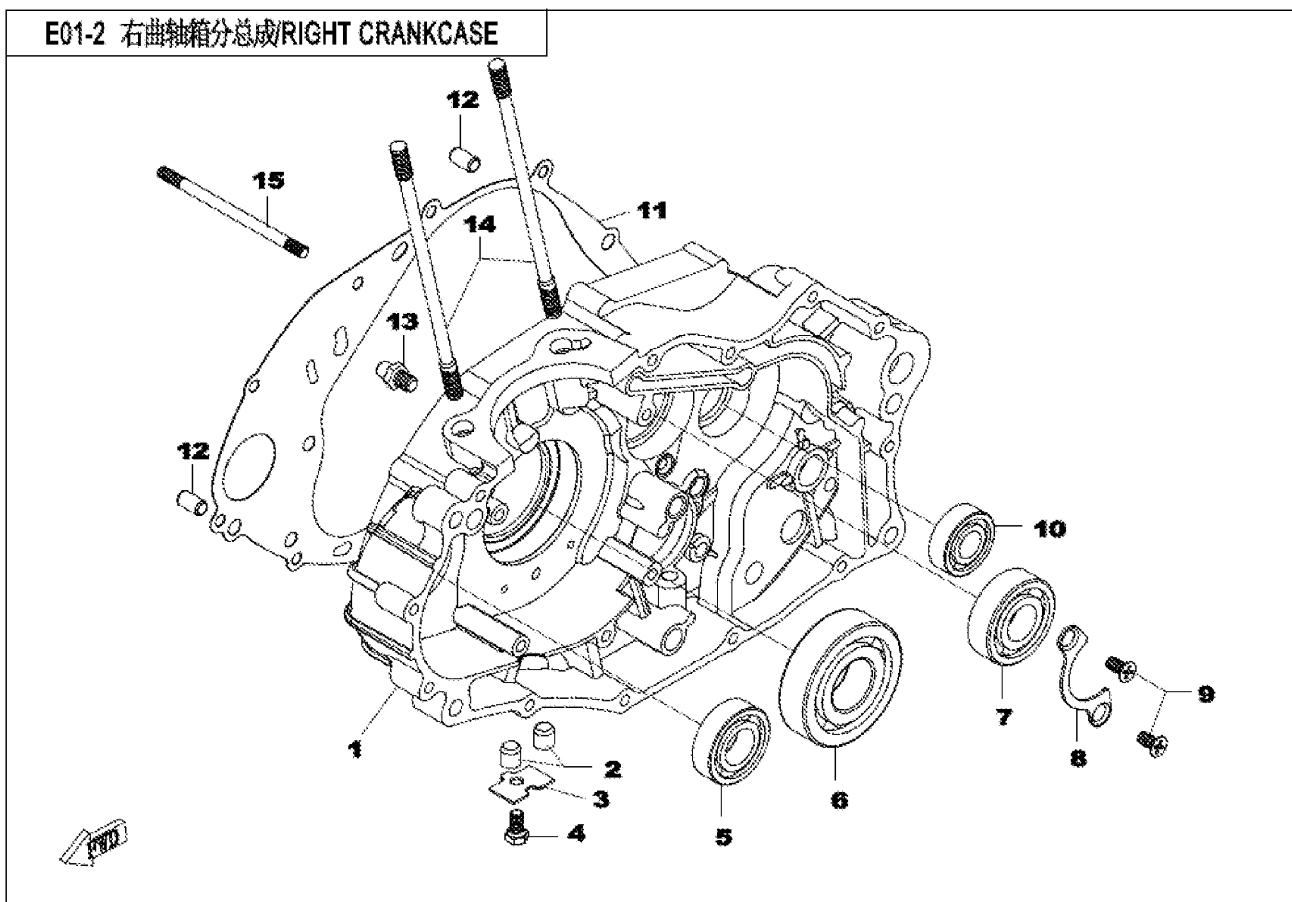
Item No.	Parts Number	Parts Name(EN)	Qty	Specification	Remark(s)	MOQ	Alternative Parts
01	30400-02006	BEARING	1	20×47×14		1	
02	0C10-011007	DOWEL PIN	4	Dia11x16		1	
03	30400-03503	BEARING	1	35×72×17		1	
04	30400-01502	BEARING	1	15×32×9		1	
05	30400-02001	BEARING	1	20×47×14		1	
06	0A70-011008	SCREW 4x11	1	4x11		6	
07	0010-011005-00002	CYLINDER BOLT B	2			2	
08	0A70-011009-00001	SCREW PLUG M14x1.25x12	1			1	
09	0K12-011100-0B204	LH CRANKCASE	1			1	
10	30202-060110	NUT	2	6@COLOR ZINC TRIVALENT CHROMIUM		10	30204-060810
11	30011-060025820	STUD	2	M6x25		6	
12	0A70-013004	PLUG	1			6	
13	0A80-011002	BREATHER HOSE JOINT	1			1	
14	0A70-011005-00001	BOLT M6x75	6	GALVANIZED TRIVALENT CHROMIUM		6	
15	0180-014010	WIRE CLAMP	1			6	6WWW-030080-8000
16	0010-080008	DOWEL PIN	3	8X14		6	
17	0010-011017-0010	BOLT M6x60	7	GALVANIZED TRIVALENT CHROMIUM		6	
18	0A80-011500	OIL SEAL	1	20x40X6		1	
19	0A70-011006	COUNTERSHAFT OIL SEAL PRESS	1			1	
20	30004-060010850	BOLT M6x10	2	M6x10		10	
21	0A70-011400	OIL SEAL	1	12x22x9		1	
22	0A80-011001	GASKET, LH FRONT COVER	1			1	
23	0010-021018-0010	BOLT M6x55	1	GALVANIZED TRIVALENT CHROMIUM		6	
24	0A70-011300	FILTER ASSY	1			1	
25	30116-050012410	SCREW ASSY	2	12@COLOR ZINC TRIVALENT CHROMIUM		1	30018-050012810
26	0180-013208-0010	BOLT M6x45	2	GALVANIZED TRIVALENT CHROMIUM		6	
27	0010-013010-0010	BOLT M6x50	1	GALVANIZED TRIVALENT CHROMIUM		6	0JWV-011108-3000
28	0A70-011002	O-RING 60.5x2.4,OIL STRAINER COVER	1	60.5x2.4		1	
29	0A70-011004-0B20	FILTER COVER	1	MATTE BLACK		1	
30	0A70-0110A0-0B20	FILTER COVER ASSY	1	MATTE BLACK		1	
31	0010-023010-0010	BOLT M6x20	3	GALVANIZED TRIVALENT CHROMIUM		6	0JWV-011107-3000
32	0180-011006	GASKET 14	1	14		6	

E01-1 左曲轴箱分总成 LEFT CRANKCASE



E01-2 右曲轴箱分总成 RIGHT CRANKCASE ASSY.

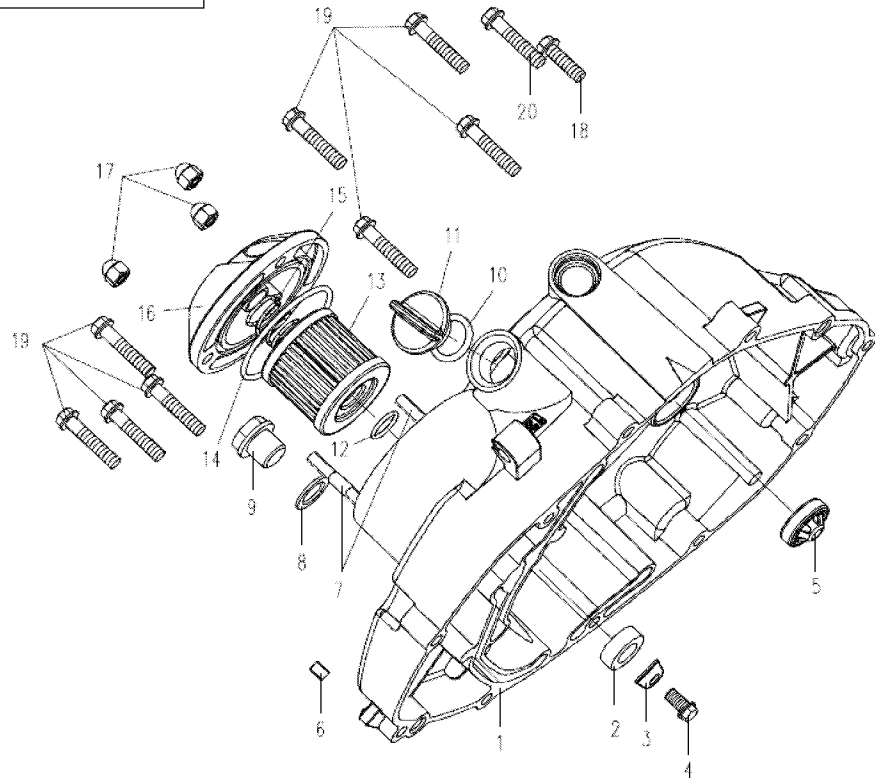
Item No.	Parts Number	Parts Name(EN)	Qty	Specification	Remark(s)	MOQ	Alternative Parts
01	0KI2-012100-0B20	RH CRANKCASE	1	MATTE BLACK		1	
02	0A70-012007	PLUG	2			2	
03	0A70-012006	PRESS PLATE, OIL PASSAGE	1			6	
04	30004-060012820	BOLT M6x12	1	M6x12		6	
05	30400-02008	BEARING	1	20×42×12		1	
06	30400-02801	BEARING	1	28×52×12		1	
07	30400-02000	BEARING	1	20×47×14		1	
08	0A70-012002	PRESS TOOL. BEARING	1			1	
09	30107-060012410	SCREW	2	M6x12@COLOR ZINC-PLATED		6	
10	30400-01503	BEARING	1	15×35×11		1	
11	0A80-012005	RH SIDE COVER GASKET	1			1	
12	0010-080008	DOWEL PIN	2	8X14		6	
13	0A70-012001-00003	LIMIT BOLT	1			1	
14	0A70-012004-00002	CYLINDER STUD	2	M8X175		2	
15	0A70-012003-00002	STUD	1	M6×99		2	



E01-3 右侧盖分总成 RIGHT SIDE COVER ASSY.

Item No.	Parts Number	Parts Name(EN)	Qty	Specification	Remark(s)	MOQ	Alternative Parts
01	0A80-013001-2B201	RH SIDE COVER	1	MATTE BLACK		1	
02	0A70-013100	OIL SEAL 12x21x7, CRANKCASE	1	12x21x7		1	
03	0A80-013003	PRESS PLATE, OIL SEAL	1			1	
04	30105-060012410	SCREW	1	M6x12		1	
05	0A70-013500	VIEWER, OIL LEVEL	1			1	
06	0A70-013004	PLUG	1			6	
07	30017-060022110	STUD	2	M6x22		6	
08	0180-011006	GASKET 14	1	14		6	
09	0A70-013007-00001	SCREW PLUG M14x1.25x12	1			6	
10	0A70-013006	O-SEAL RING 16.8x3.1	1	16.8x3.1		1	
11	0A70-013005	OIL FILLING PORT BOLT PLUG	1			1	
12	01A0-013005	O-SEAL RING	1	13x2		2	
13	0A70-013200	FILTER ELEMENT, PAPER	1			1	
14	01A0-013003	O-RING	1	53.6x2.4		1	
15	0A70-013003	SPRING, FILTER ELEMENT	1			6	
16	0A80-013002-0B20	COVER, OIL FILTER	1	MATTE BLACK		1	
17	30212-060810	NUT	3	M6		6	
18	0010-023010-0010	BOLT M6x20	1	GALVANIZED TRIVALENT CHROMIUM		6	0JVV-011107-3000
19	0010-060012-0010	BOLT M6x30	8	GALVANIZED TRIVALENT CHROMIUM		6	
20	0010-013008-0010	BOLT M6x35	1	GALVANIZED TRIVALENT CHROMIUM		6	

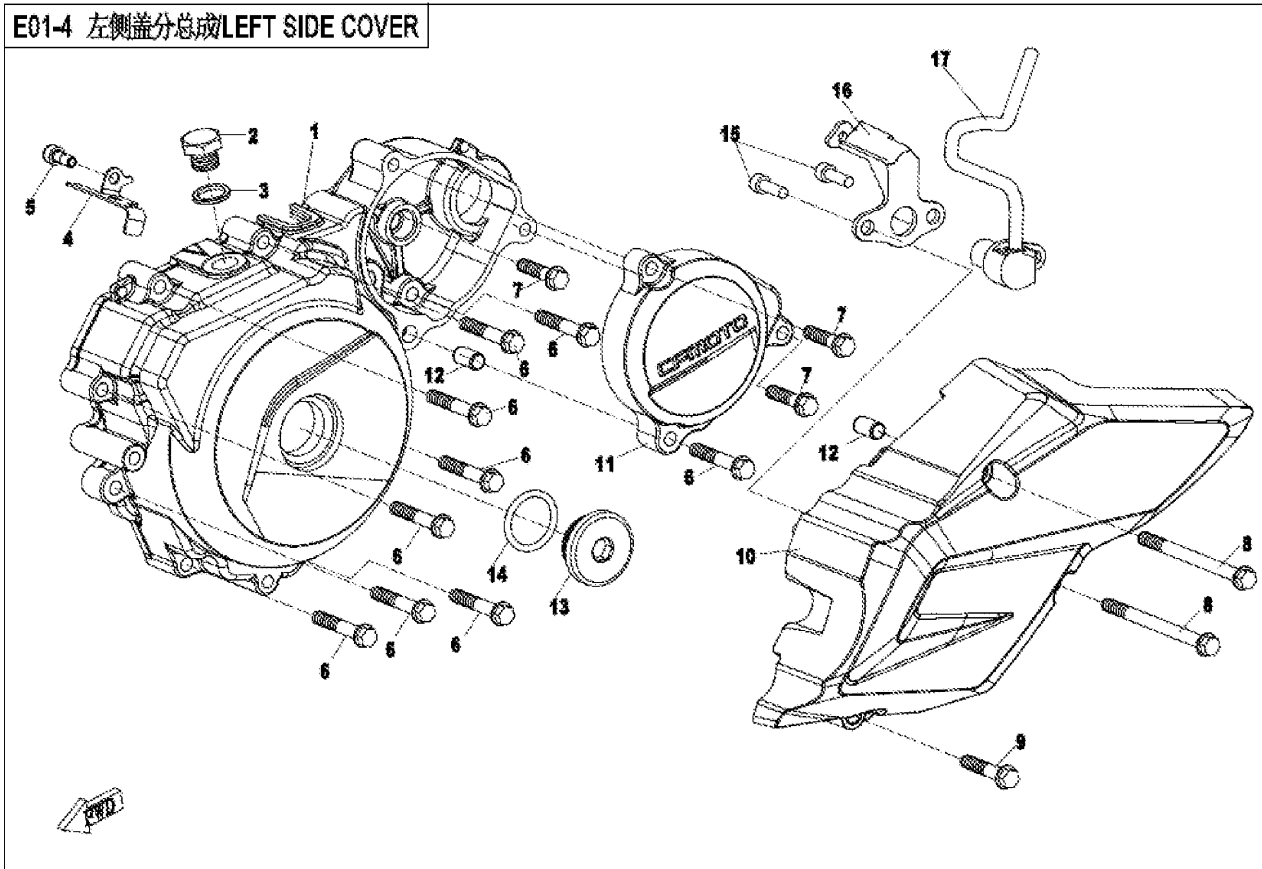
E01-3 右侧盖分总成/RIGHT SIDE COVER



E01-4-V2 左侧盖分总成 LEFT SIDE COVER ASSY.

Item No.	Parts Number	Parts Name(EN)	Qty	Specification	Remark(s)	MOQ	Alternative Parts
01	0A80-014001-1B204	FRONT LH COVER	1	MATTE BLACK		1	
02	0A70-014007-00001	SCREW PLUG, VIEW HOLE	1			2	
03	0010-021014	WASHER 12	1	12		6	
04	0A80-014005	WIRE PRESS PLATE	1			1	
05	30102-050012810	SCREW	1	12@COLOR ZINC TRIVALENT CHROM		10	
06	0010-013008-0010	BOLT M6x35	9	GALVANIZED TRIVALENT CHROMIUM		6	
07	0010-021017-0010	BOLT M6x25	3	GALVANIZED TRIVALENT CHROMIUM		6	
08	0A70-011005-00001	BOLT M6x75	2	GALVANIZED TRIVALENT CHROMIUM		6	
09	0010-060012-0010	BOLT M6x30	1	GALVANIZED TRIVALENT CHROMIUM		6	
10	0K1A-014100	REAR COVER, LH	1			1	
11	0A80-014003-2B202	FRONT LH COVER GEAR COVER	1	MATTE BLACK		1	
12	0010-080008	DOWEL PIN	2	8X14		6	
13	0A70-014005-0B20	BOLT CAP, LH FRONT SIDE COVER	1	MATTE BLACK		1	
14	0A70-014006-10000	O-RING	1	22.7x3.1		2	
15	30102-050016810	SCREW	2	GB/T70.1_M5x16		10	
17	0700-065310-10000	SPEED SENSOR	1			1	

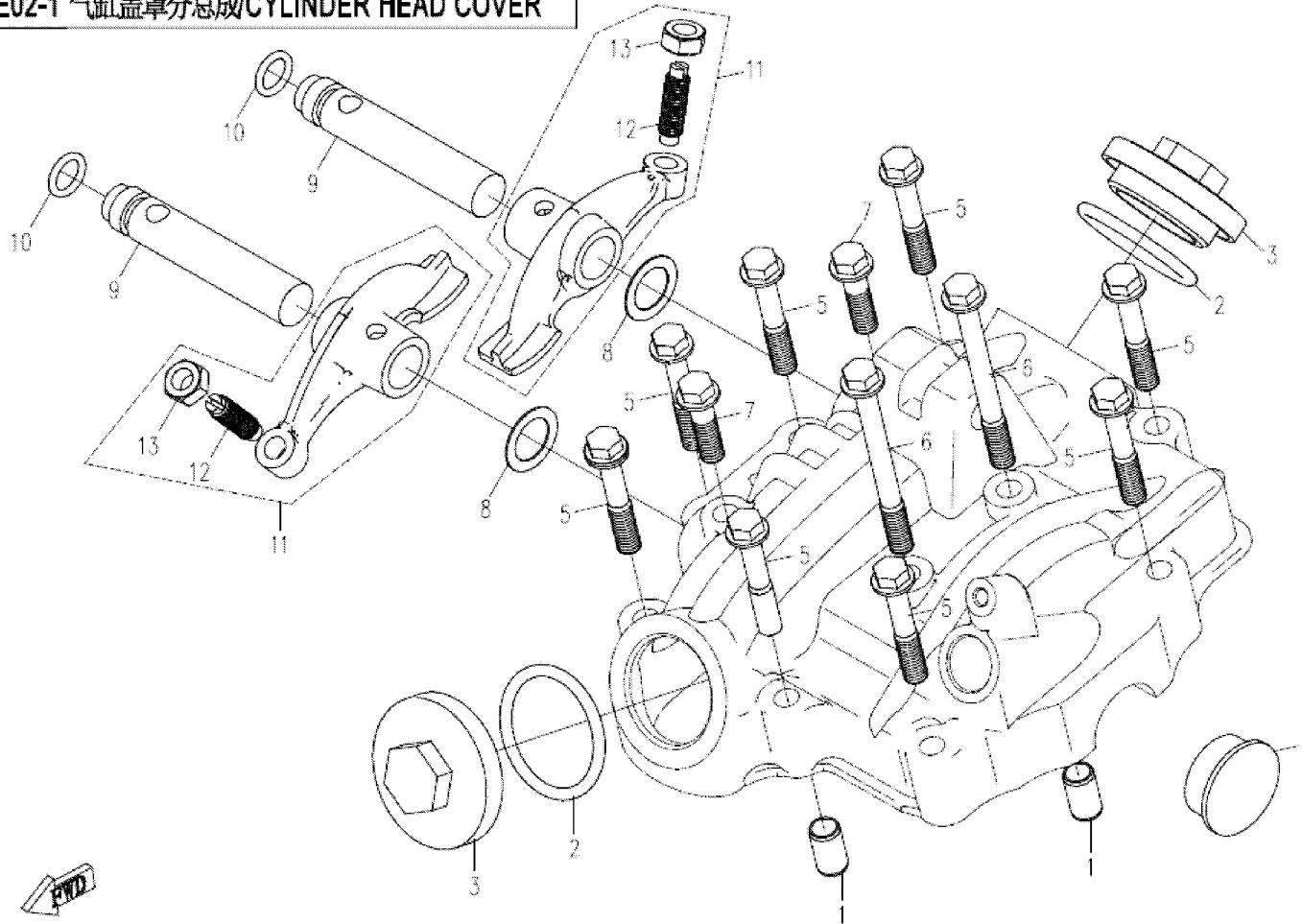
E01-4 左侧盖分总成 LEFT SIDE COVER



E02-1 气缸盖罩分总成 CYLINDER HEAD COVER ASSY.

Item No.	Parts Number	Parts Name(EN)	Qty	Specification	Remark(s)	MOQ	Alternative Parts
01	0C10-021003	DOWEL PIN Dia 8X12	2	Dia8X12		1	
02	0110-013028	O-RING	2	30x3.55		2	
03	0110-013007-0B20	COVER, STRAINER	2	MATTE BLACK		2	
04	0C10-021002	CAMSHAFT PLUG	1			1	
05	0010-013008-0010	BOLT M6x35	8	GALVANIZED TRIVALENT CHROMIUM		6	
06	0010-011017-0010	BOLT M6x60	2	GALVANIZED TRIVALENT CHROMIUM		6	
07	0010-080013-0010	BOLT M6x22	2	GALVANIZED TRIVALENT CHROMIUM		6	
08	0A70-021002	WASHER	2			2	
09	0C10-021004	ROCKER ARM SHAFT	2			1	
10	0A70-021005	O-RING	2	8.6x1.9		2	
11	0A70-021100	SWING ARM ASSY	2			1	
12	0A70-021102	ADJUST SCREW, VALVE CLEARANCE	2			6	
13	0A70-021103	ADJUST NUT, VALVE CLEARANCE	2			6	

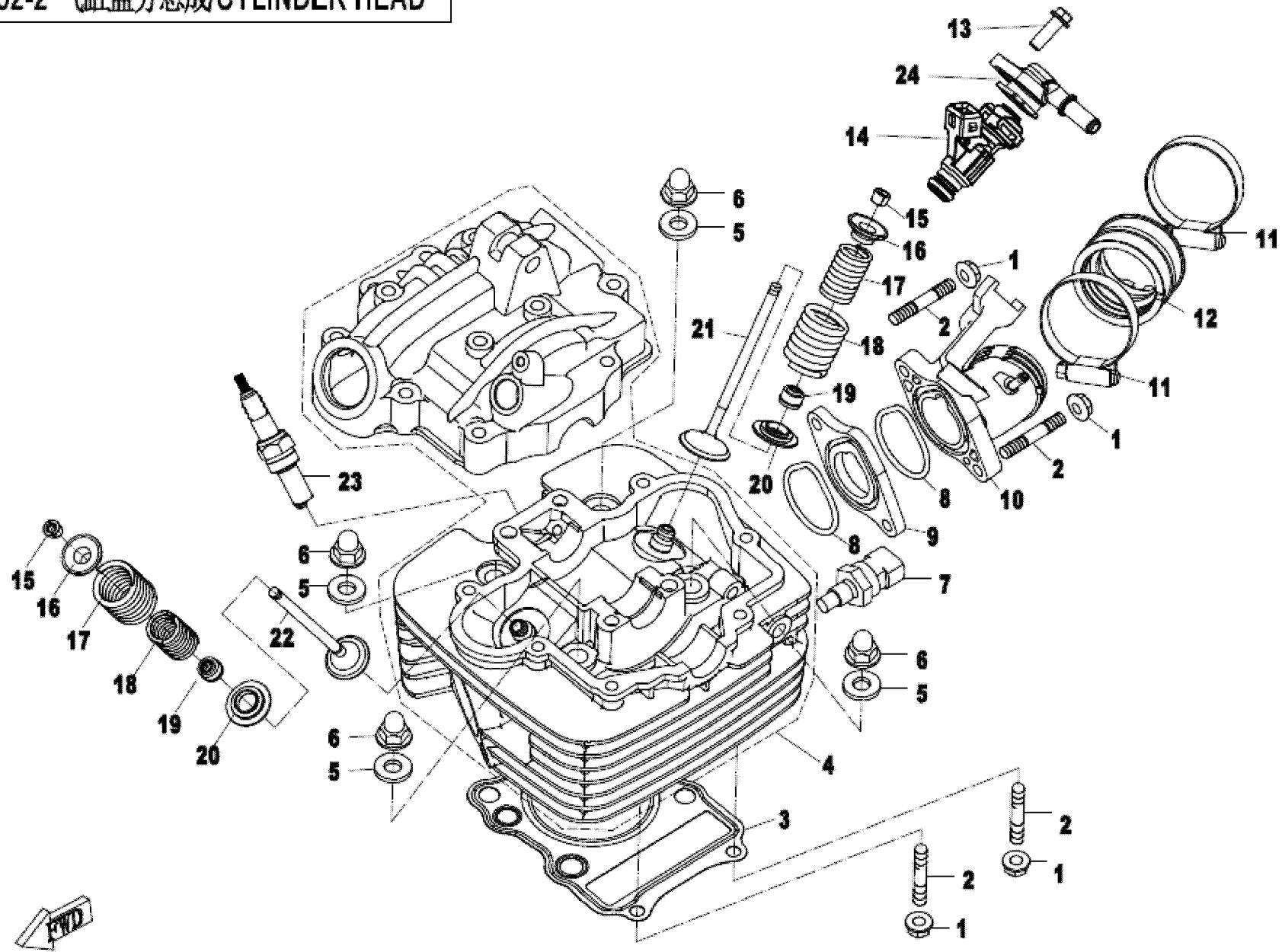
E02-1 气缸盖罩分总成/CYLINDER HEAD COVER



E02-2 气缸盖分总成 CYLINDER HEAD ASSY.

Item No.	Parts Number	Parts Name(EN)	Qty	Specification	Remark(s)	MOQ	Alternative Parts
01	30204-060810	NUT	4	M6		10	
02	30011-060025820	STUD	4	M6x25		6	
03	0C10-022008	CYLINDER HEAD GASKET	1			1	
04	0KIA-0220A0-0B200	CYLINDER HEAD & HEAD COVER	1	MATTE BLACK		1	
05	0010-022012	WASHER 8	4	8		6	
06	0010-022013-00002	NUT	4	M8		6	
07	0KIA-022005	CYLINDER HEAD TEMP. SENSOR	1			1	
08	0KIA-022003	INJECTOR SEAT SEAL RING	2			6	
09	0KIA-022002	INJECTOR SEAT HEAT INSULATOR	1			6	
10	0KIV-022201-4002	INJECTOR SEAT	1			1	
11	30603-050000	CLAMP	2	D50		1	
12	0KIA-022004-00001	CONNECTING PIPE, THROTTLE BODY	1			1	
13	0010-023008-00001	BOLT	1			6	
14	0KIV-171000-4000	INJECTOR ASSY	1			1	
15	0C10-022006	LOCK CLIP, VALVE	4			1	
16	0C10-022005	SPRING PLATE, VALVE	2			1	
17	0A70-022003	INNER SPRING, VALVE	2			1	
18	0A70-022004	OUTER SPRING, VALVE	2			1	
19	0010-022500-10000	SEAL RING, VALVE STEM	2			2	
20	0C10-022007	SEAT, VALVE SPRING	2			1	
21	0C10-022001	VALVE, INTAKE	1			1	
22	0C10-022002	EXHAUST VALVE	1			1	
23	01A0-022400-0001	SPARK PLUG	1	NCK CR8E	NGK	1	
23	0KIV-022400-4000	SPARK PLUG ASSY	1			1	
24	0KIV-170010-4000	INJECTOR CAP	1			1	

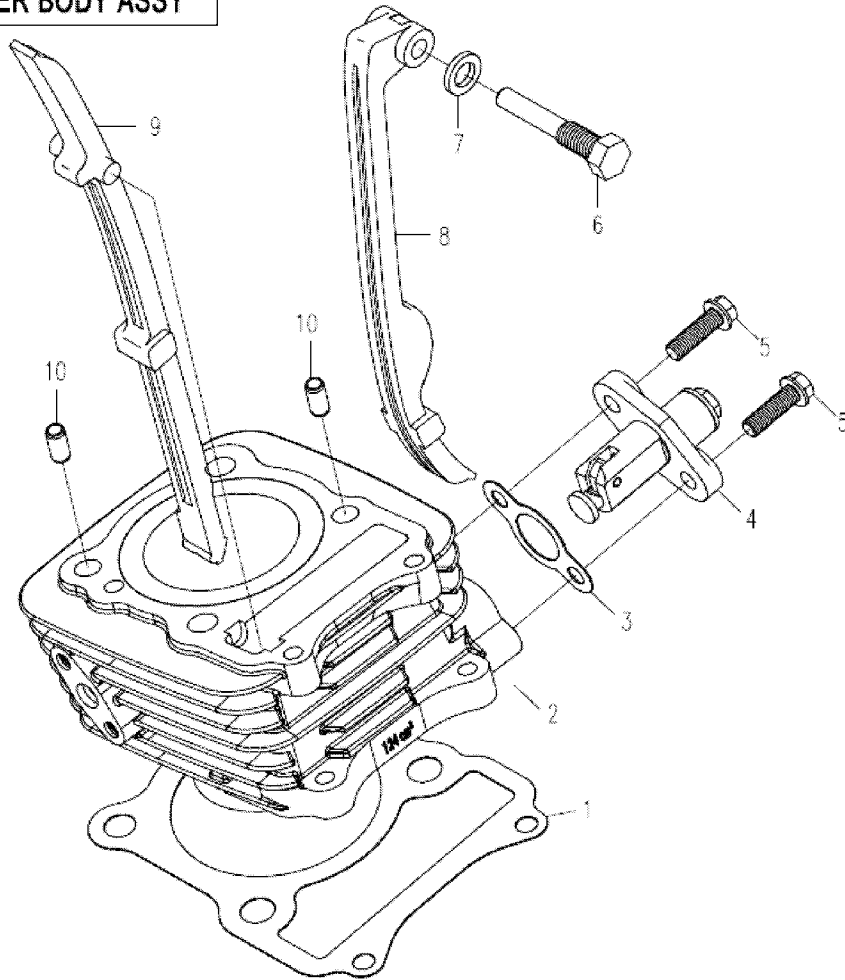
E02-2 气缸盖总成CYLINDER HEAD



E02-3 气缸分总成 CYLINDER BODY ASSY.

Item No.	Parts Number	Parts Name(EN)	Qty	Specification	Remark(s)	MOQ	Alternative Parts
01	0C10-023004-10000	CYLINDER BODY GASKET	1			1	
02	0KIB-023100-0B201	CYLINDER BODY ASSY	1			1	
03	0A70-023001-0G30	GASKET,TENSIONER	1	MUSTARD GREEN		1	
04	0C10-023200-1B200	TENSIONER ASSY	1			1	
05	0010-023010-0010	BOLT M6x20	2	GALVANIZED TRIVALENT CHROMIUM		6	0JWV-011107-3000
06	0180-023007-00001	TENSIONER PLATE BOLT M8x39.5	1	GALVANIZED TRIVALENT CHROMIUM		6	0180-023007-0010
07	0010-021016	WASHER 8	1	8		6	
08	0A70-023300	TENSION PLATE ASSY	1			1	
09	0A70-023400	CHAIN GUIDE	1			1	
10	0C10-011007	DOWEL PIN	2	Dia11x16		1	

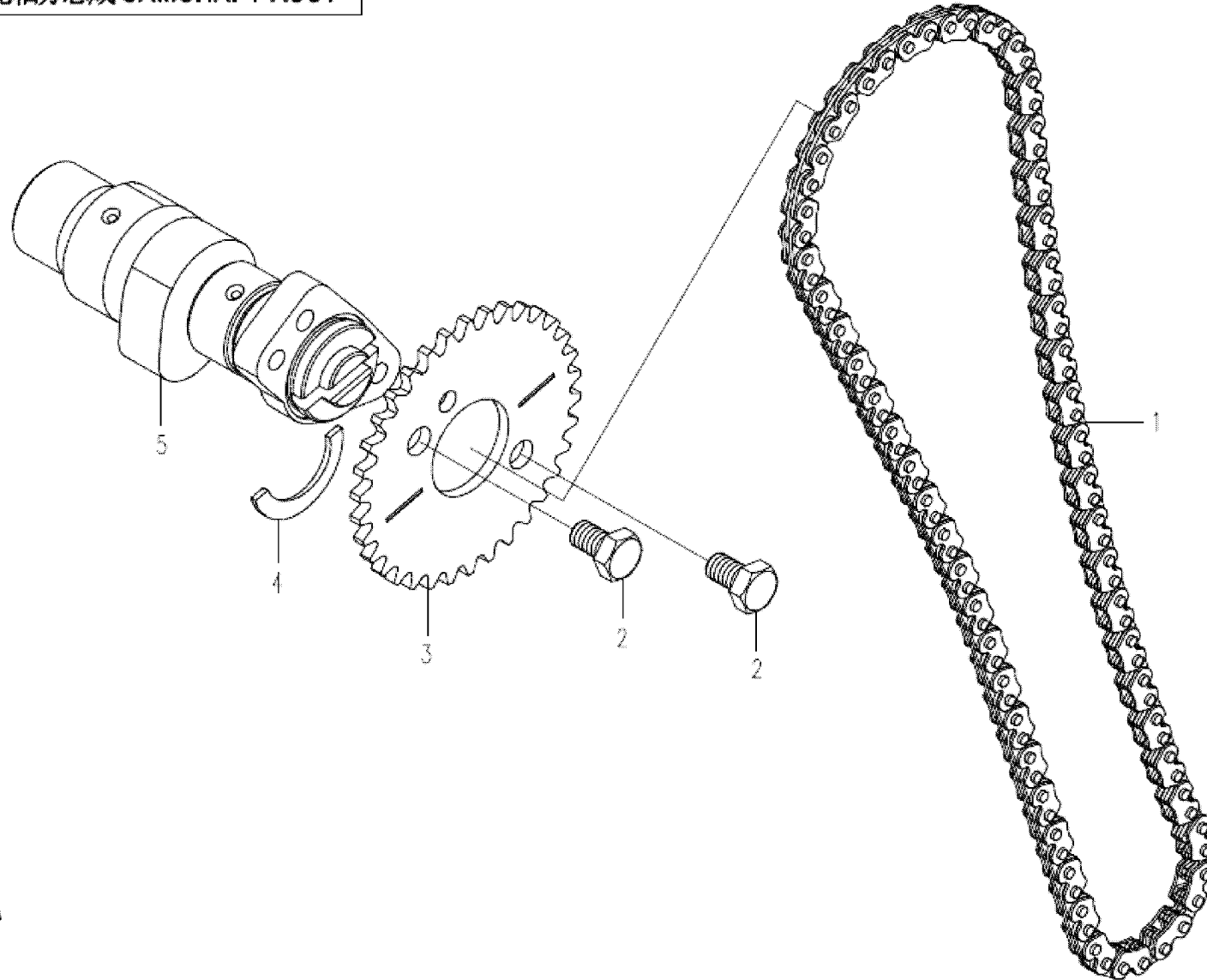
E02-3 气缸分总成 CYLINDER BODY ASSY



E02-4 凸轮轴分总成 CAMSHAFT ASSY.

Item No.	Parts Number	Parts Name(EN)	Qty	Specification	Remark(s)	MOQ	Alternative Parts
01	0A70-024100	TIMING CHAIN	1			1	
02	30004-060010150	BOLT M6x10	2	M6x10		6	
03	0A70-024002	TIMING SPROCKET	1			1	
04	0180-024004	CAMSHAFT SPACER	1			1	0180-024004-00001
05	0A70-024001	CAMSHAFT	1			1	0A80-024001

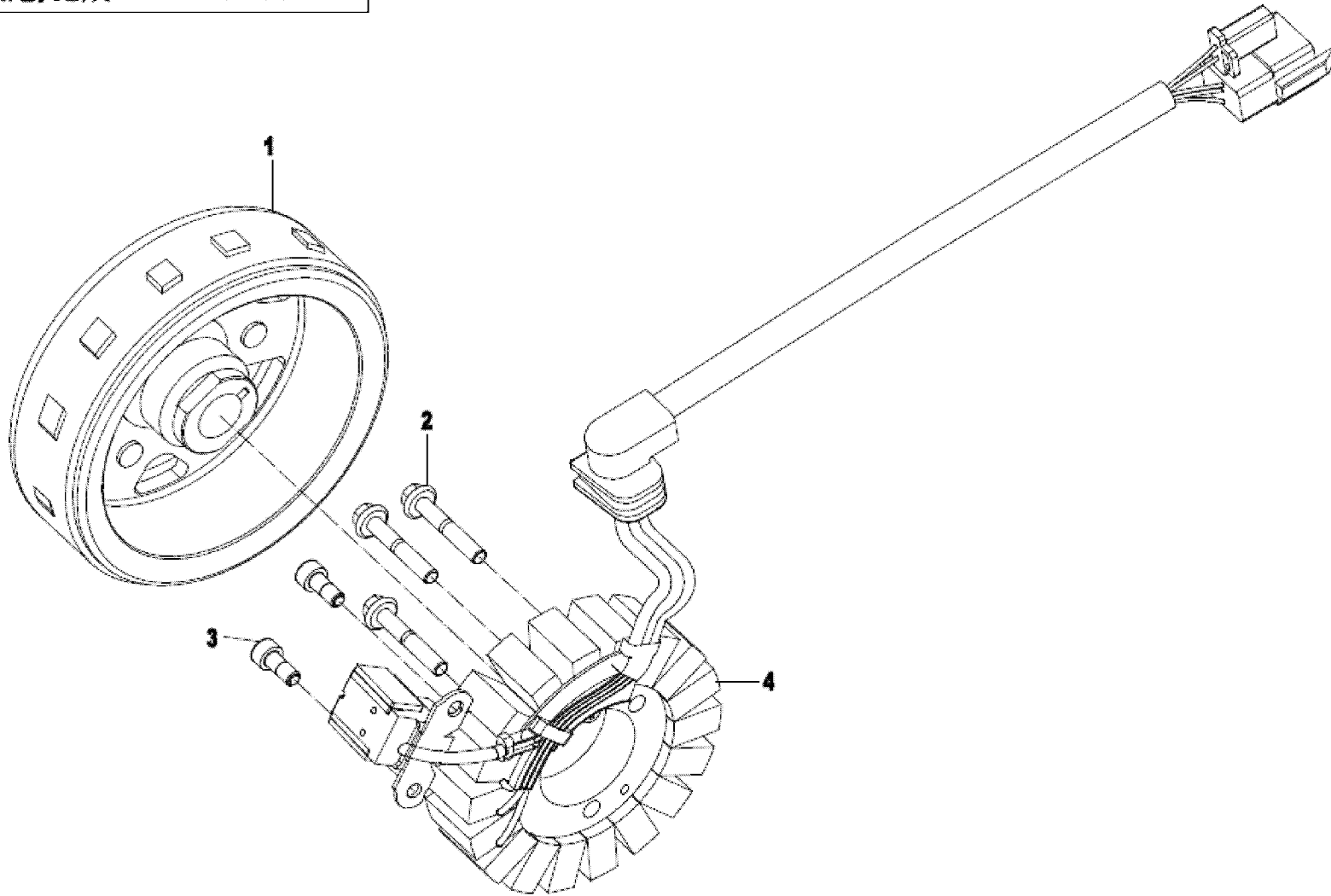
E02-4 凸轮轴分总成/CAMSHAFT ASSY



E03 磁电机总成 MAGNETO ASSY.

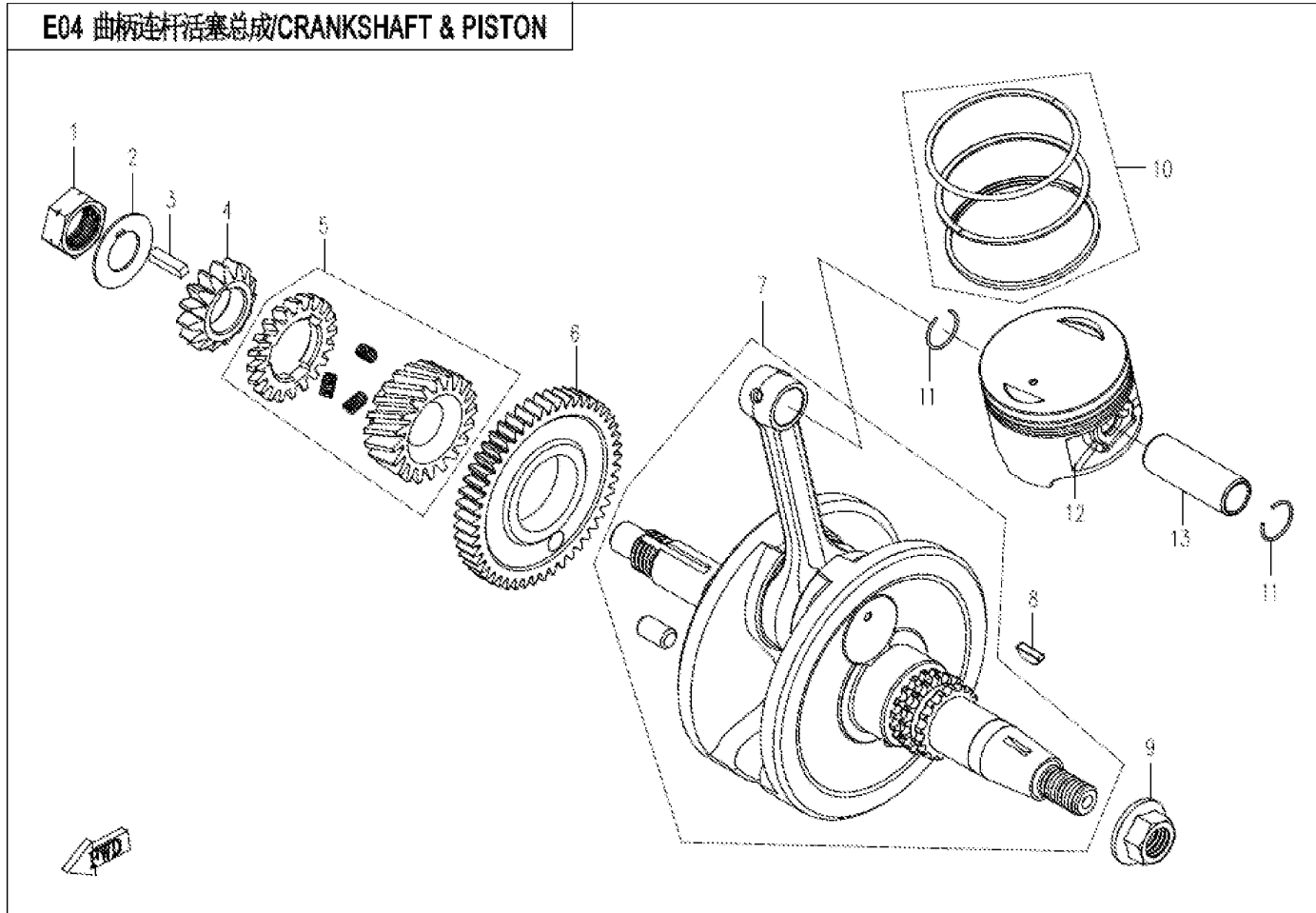
Item No.	Parts Number	Parts Name(EN)	Qty	Specification	Remark(s)	MOQ	Alternative Parts
01	0KIV-031000-4001	MAGNETO ROTOR ASSY	1			1	
02	0A70-014004-00002	BOLT M5x25	3	M5x25		6	
03	30102-050012810	SCREW	2	12@COLOR ZINC TRIVALENT CHROM		10	
04	0KIV-032000-4000	MAGNETO STATOR ASSY	1			1	

E-03 磁电机总成 MAGNETO ASSY



E04 曲柄连杆活塞总成 CRANKSHAFT /CONNECTING ROD & PISTON ASSY.

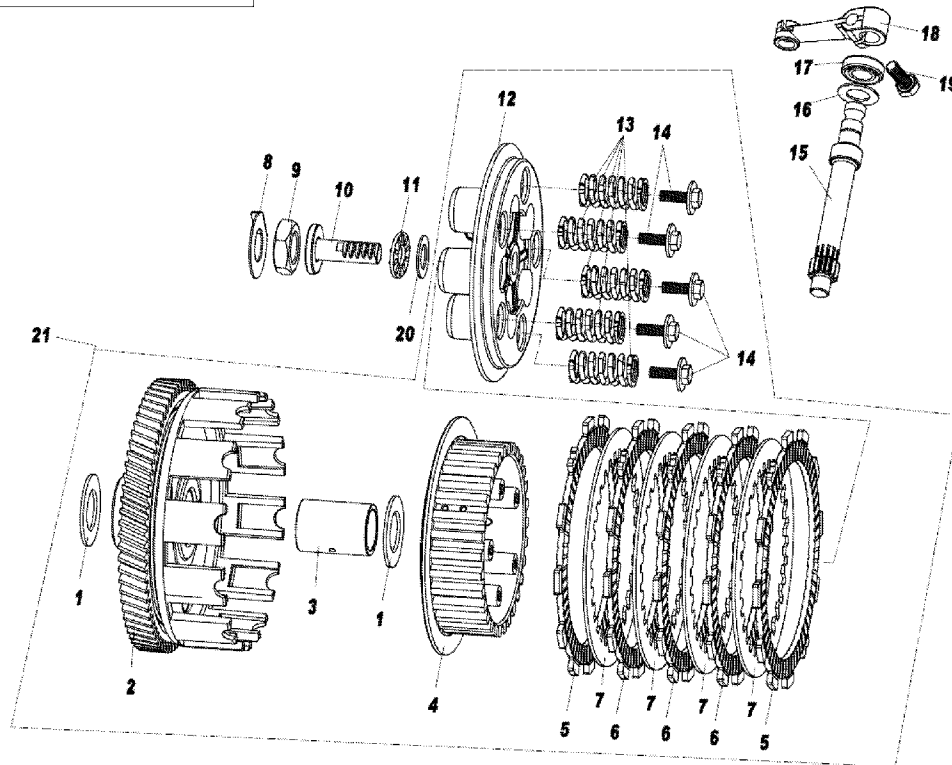
Item No.	Parts Number	Parts Name(EN)	Qty	Specification	Remark(s)	MOQ	Alternative Parts
01	0A70-040007	NUT M16	1	M16		6	
02	0A70-040008-00001	LOCK CIRCLIP	1			2	
03	3121100	GUIDE BLOCK B4x4x16	1	B4x4x16		6	
04	0A70-040009	DRIVE GEAR, OIL PUMP	1			1	
05	0A80-043000	PRIMARY DRIVEN GEAR ASSY	1			1	
06	0A80-040003	GEAR, CRANKSHAFT BALANCER	1			1	
07	0KIB-041000	CRANKSHAFT CONNECTING ROD SUB ASSY	1			1	
08	0A70-040011	WOODRUFF KEY	1			1	
09	0110-052008-00002	NUT	1			6	
10	0A70-0400A0	PISTON RING ASSY	1			1	
11	0C10-040003	CIRCLIP, PISTON PIN	2			1	
12	0C10-040001	PISTON	1			1	
13	0C1V-040002-1000-10	PISTON PIN	1			1	



E05 离合器总成 CLUTCH ASSY.

Item No.	Parts Number	Parts Name(EN)	Qty	Specification	Remark(s)	MOQ	Alternative Parts
01	0A70-050002	WASHER	2	20x34.5x2		6	
02	0A80-051100-00001	PRIMARY DRIVEN GEAR ASSY	1			1	
03	0A80-050001	BUSHING, PRIMARY DRIVEN GEAR	1			1	
04	0A70-051201-00001	CLUTCH HUB	1			1	
05	0KIV-050010-4000	CLUTCH DRIVE DISC 1	2			1	
06	0KIV-050020-4000	CLUTCH DRIVE DISC 2	3			1	
07	0A70-051202-00001	DRIVEN DISC, CLUTCH	4			1	
08	0A70-050004	LOCK WASHER	1			6	
09	0A70-050005	NUT	1	M16X1.5		6	
10	0A80-050006	CLUTCH ROD	1			1	
11	0A80-050030	THRUST BEARING AND BRACKET ASSY	1			1	
12	0A80-050008-00001	CLUTCH PRESSURE PLATE	1			1	
13	0A70-051204-00001	CLUTCH SPRING	5			1	
14	30112-050016410	SCREW ASSY	5	16@COLOR ZINC TRIVALENT CHROM		6	
15	0A80-050009-00001	CLUTCH LEVER	1			1	
16	0A70-052002	WASHER	1	10x20x1		6	
17	0110-080005	OIL SEAL	1	10x20x5		1	
18	0A80-050005	SEPARATE SWING ARM	1			1	
19	0010-090005-0010	BOLT M6x16	1	GALVANIZED TRIVALENT CHROMIUM		6	
20	0A80-050004	WASHER	1			1	
21	0KIV-051000-4000	CLUTCH SUB ASSY	1			1	

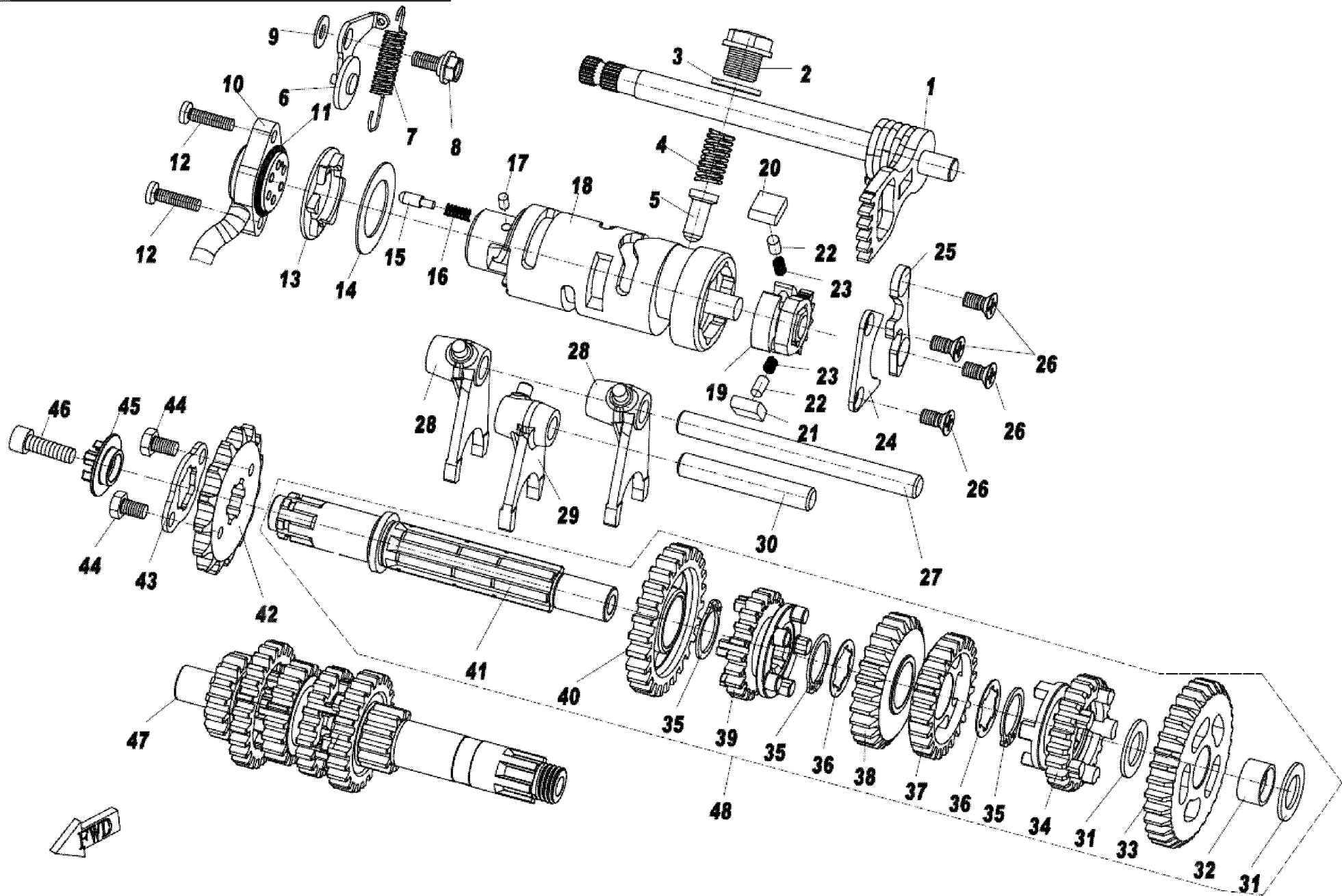
离合器总成/CLUTCH ASSY



E06 换挡变速总成 TRANSMISSION ASSY.

Item No.	Parts Number	Parts Name(EN)	Qty	Specification	Remark(s)	MOQ	Alternative Parts
01	0A80-063000-00002	GEARSHIFT LEVER ASSY	1			1	
02	0180-021008-00001	BOLT	1	M14×1.25×12		2	
03	0180-011006	GASKET 14	1	14		6	
04	0A70-060012	SPRING, NEUTRAL	1			1	
05	0A70-060013	NEUTRAL STOPPER	1			1	
06	0A70-065100	CAM STOPPER	1			1	
07	0A70-065003	GEARSHIFT POSITION SPRING	1			6	
08	0A70-065001-00001	GEARSHIFT CAM BOLT	1			2	
09	0A70-065002	WASHER 6	1	6		6	
10	0DMV-066000-2701	GEAR CONTACTOR	1			1	
11	0A70-060014	O-RING	1	26.2x2.4		2	
12	30116-050020410	SCREW ASSY	2	20@COLOR ZINC TRIVALENT CHROM		6	
13	0A70-064002	CAM STOPPER	1			1	
14	0A70-064001	WASHER	1	25x40x1		2	
15	0A70-064004	GEAR SWITCH CONTACTOR	1			2	
16	0A70-064003	SPRING	1			2	
17	30901-0400600	PIN	1	φ4×6		6	
18	0A80-064200-00001	GEARSHIFT CAM HUB ASSY	1			1	
19	0A70-064100	DRIVEN GEAR, CAM	1			1	
20	0A70-064005	RH PAWL	1			1	
21	0A70-064008	LH PAWL	1			1	
22	0A70-064006	PIN, GEARSHIFT	2			2	
23	0A70-064007	SPRING	2			2	
24	0A70-060006	PAWL PLATE, GEARSHIFT	1			1	
25	0A70-060005	CAM GUIDE	1			1	
26	30107-060012410	SCREW	4	M6x12@COLOR ZINC-PLATED		6	
27	0A70-060003-00001	FORK SHAFT	1			1	
28	0A70-060004	SHIFT FORK	2			1	
29	0A70-060002	FORK, MIDDLE	1			1	
30	0A70-060001-00001	FORK SHAFT	1			1	
31	0A80-062009	WASHER	2	15x25x1.5		2	
32	0A80-062008	BUSHING	1			1	
33	0A80-062001	COUNTERSHAFT 1ND GEAR	1	33		1	
34	0A80-062005	COUNTERSHAFT 5ND GEAR	1	22		1	
35	0A80-061008	CIRCLIP	3			1	
36	0A80-062007	WASHER	2			2	
37	0A80-062004	COUNTERSHAFT 4ND GEAR	1	24		1	
38	0A80-062003	COUNTERSHAFT 3ND GEAR	1	26		1	
39	0A80-062006	COUNTERSHAFT 6ND GEAR	1	21		1	
40	0A80-062020	COUNTERSHAFT 2ND GEAR ASSY	1	26		1	
41	0KIA-062070-00001	COUNTERSHAFT ASSY	1			1	
42	0A80-060001	DRIVE SPROCKET	1			1	
43	0A80-060002-00001	SPROKET GUARD	1			1	
44	30004-060010850	BOLT M6x10	2	M6x10		10	
45	0KIA-060007	SPEED SENSOR DISC	1		NO ABS	1	
46	0110-090009-00002	INNER HEX SCREW	1		NO ABS	2	
46	0010-080008	DOWEL PIN	1	8X14	ABS	6	
47	0A80-061000-00002	MAIN SHAFT ASSY	1			1	
48	0KIA-062000-00001	COUNTERSHAFT ASSY	1			1	

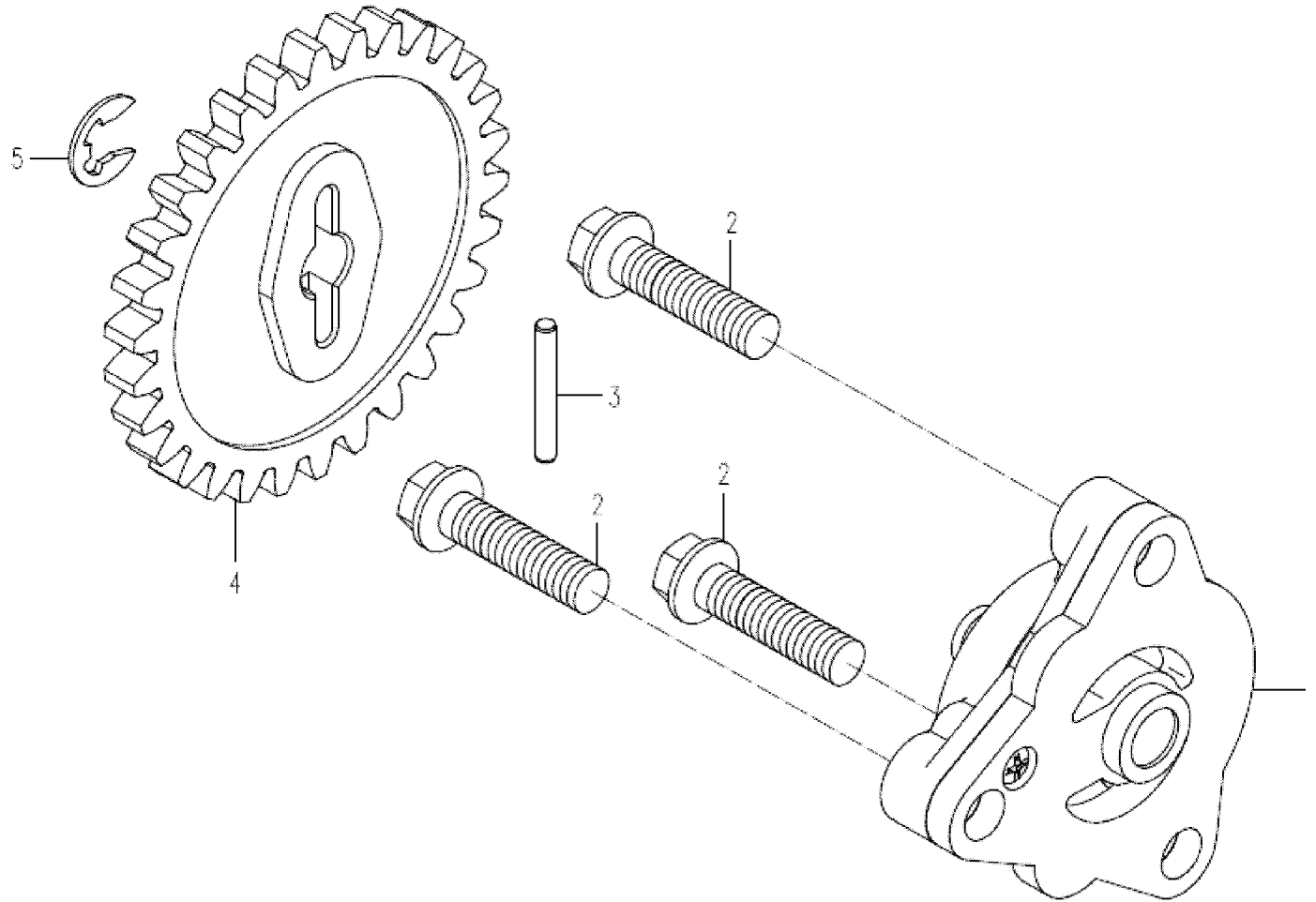
换挡变速总成/TRANSMISSION ASSY



E07 机油泵总成 OIL PUMP ASSY.

Item No.	Parts Number	Parts Name(EN)	Qty	Specification	Remark(s)	MOQ	Alternative Parts
01	0A70-071000	OIL PUMP SUB ASSY	1			1	
02	0010-021017-0010	BOLT M6x25	3	GALVANIZED TRIVALENT CHROMIUM		6	
03	30406-00201	ROLLER NEEDLE	1	P2.5x22		1	
04	0A70-070001	DRIVEN GEAR, OIL PUMP	1			1	
05	30802-00605	SPLIT WASHER	1	6		10	

E07 机油泵总成 OIL PUMP



E09 起动系统总成 ELECTRIC STARTING ASSY.

Item No.	Parts Number	Parts Name(EN)	Qty	Specification	Remark(s)	MOQ	Alternative Parts
01	0010-021017-0010	BOLT M6x25	2	GALVANIZED TRIVALENT CHROMIUM		6	
02	0A80-093000	STARTING MOTOR	1			1	
03	0A80-090001-00001	DUAL GEAR 1	1			1	
04	0A80-090003	SHAFT, DUAL GEAR I	1			1	
05	0A80-090002-00001	DUAL GEAR 2	1			1	
06	0A70-091002-00001	SHAFT, DUAL GEAR	1			1	
07	0A8A-092000	GEAR, STARTING MOTOR	1			1	
08	0A8A-094000	CLUTCH	1			1	
09	0A8A-090004-00002	SCREW	3	M8x16		6	

E09 起动系统总成 STARTING SYSTEM



E16 平衡轴总成 BALANCE SHAFT ASSY.

Item No.	Parts Number	Parts Name(EN)	Qty	Specification	Remark(s)	MOQ	Alternative Parts
01	0110-051007-00002	NUT M14x1.5	1			1	
02	0010-051004	WASHER	1	14x28x2		1	
03	0A80-160005	CIRCLIP38	1	38		1	
04	0A80-160001	GEAR, BALANCE SHAFT	1			1	0A80-160001-00001
05	0A80-160004	BALANCER GEAR SPRING	2			1	
06	0A80-160003	DAMPER, BALANCE SHAFT GEAR	2			1	
07	0A80-160002	WASHER	1			1	
08	0KI2-161000	BALANCE SHAFT ASSY	1			1	

E16 平衡轴总成 BALANCE SHAFT

